

# 2010 CBR1000RR PARTS LIST

## CONTENTS

INSTRUCTIONS FOR USE OF PARTS LIST .....	3- 2
--	------

### ENGINE GROUP

E- 1	ENGINE POWER UP KIT .....	3- 3
E- 2	OIL COOLER .....	3- 4
E- 3	OIL PAN SET .....	3- 5
E- 4	THERMOSTAT / OIL FILLER CAP .....	3- 6
E- 5	CLUTCH .....	3- 7
E- 6	A.C. GENERATOR SET .....	3- 8
E- 7	TRANSMISSION SET .....	3- 9
E- 7-1	TRANSMISSION (OPTIONAL PARTS) .....	3-10
E- 8	AIR FUNNEL SET .....	3-12
E- 9	THROTTLE BODY .....	3-13

### FRAME GROUP

F- 1	THROTTLE / CLUTCH CABLE .....	3-14
F- 2	UPPER COWL STAY .....	3-15
F- 3	FRONT FORK .....	3-16
F- 4	STEERING DAMPER .....	3-18
F- 5	FRONT BRAKE .....	3-19
F- 6	REAR BRAKE .....	3-20
F- 7	FRONT WHEEL / AXLE SET .....	3-22
F- 8	REAR WHEEL .....	3-24
F- 9	FUEL TANK SET .....	3-25
F-10	BREATHER CASE SET .....	3-26
F-11	AIR INJECTION PLUG SET .....	3-27
F-12	EXHAUST SET .....	3-28
F-13	SWINGARM .....	3-30
F-14	REAR CUSHION .....	3-33
F-15	HARNES SET .....	3-35
F-16	DATALOGGER / SHIFT FORCE SENSOR .....	3-37
F-17	ENGINE HUNGER BOLT .....	3-38
F-18	SEAT RAIL SET .....	3-39
F-19	RADIATOR .....	3-40

INDEX .....	3-41
-------------	------

# INSTRUCTIONS FOR USE OF PARTS LIST

This parts list is to be used when ordering replacement parts; it contains all parts for model 2010 CBR1000RR.

## . How to order parts

### Information required

Replacement parts orders must contain both the part number and the stamped number(s) as described below. This is necessary because any changes and modifications are registered at Honda with the pertinent parts and stamped numbers.

- If quantities are shown in ( ), the parts are optional.
- If “ N ” is indicated in the quantity column, the parts quantity is to be determined as required.

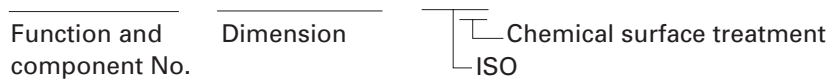
## . How to read this parts list

### Make-up of the part number

(Example) General parts



(Example) Bolts, nuts and other standard parts



## Abbreviations

The following abbreviations are used in this parts list.

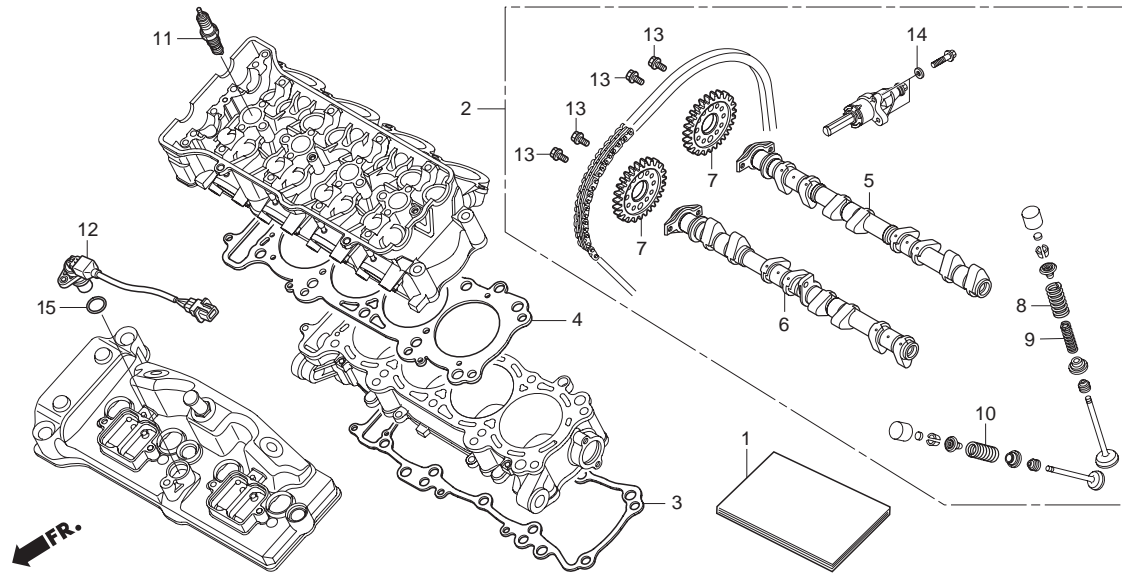
A.C. ....	Alternating current
ASSY. ....	Assembly
C. ....	Center
COMP. ....	Complete
G ....	Gram
L. ....	Left
L(100L) ....	Link (100Links)
M. ....	Middle
mm ....	Millimeter
R. ....	Right
STD. ....	Standard
T(22T) ....	Tooth (22 Teeth)
T.W. ....	Thermo Water
R/B ....	Racer base vehicle (for Japan only)
JSB ....	Japan superbike
SBK ....	FIM Superbike
OP ....	Optional parts

## IMPORTANT INFORMATION

- The parts that have a dot “ • ” on the left side of the “ Ref. No. ” are exclusive for HRC products. To purchase these parts, consult your Honda dealer.
- The parts that have no dot are Honda products and can be purchased from your nearest Honda motorcycle dealer.
- The parts which do not have “ Ref. No. ” in the illustration are Honda products.

Block No.  
**E-1**  
**ENGINE POWER UP KIT**

2010 CBR1000RR



**Note**

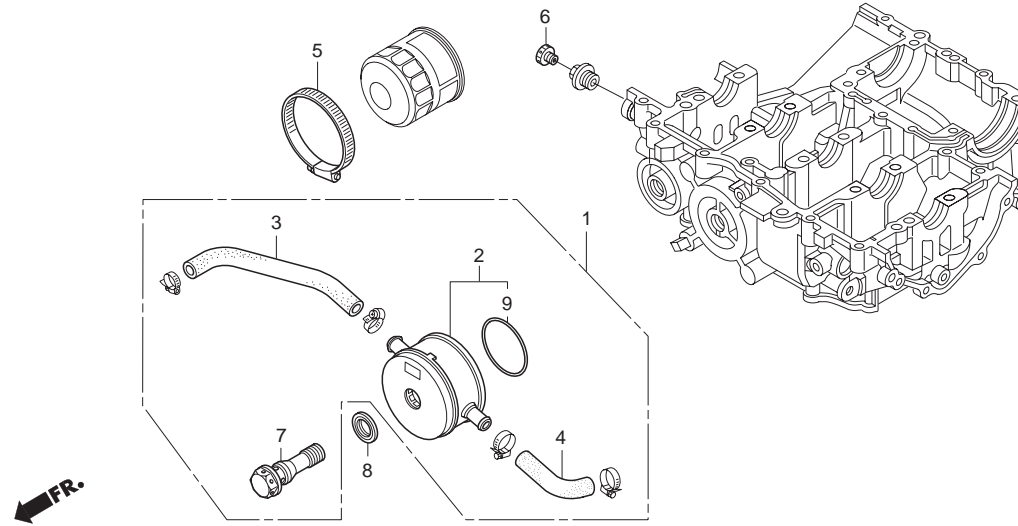
The parts which have no "Ref No" in the illustration are Honda products.

Ref. No.	Part No.	Description	Reqd. No.	Remarks
• 1	00X31-NLR-A20	SET UP MANUAL PARTS LIST .....	1	
• 2	06110-NLR-A30	ENGINE POWER UP KIT(1) JSB.....	1	
• 3	12191-NLR-A31	GASKET, CYLINDER 0.20 .....	1	20
•	12192-NLR-A31	GASKET, CYLINDER 0.30 .....	1	30
•	12193-NLR-A31	GASKET, CYLINDER 0.15 .....	1	15
• 4	12251-NLR-A31	GASKET, CYLINDER HEAD 0.55 .....	1	Blue paint
•	12252-NLR-A31	GASKET, CYLINDER HEAD 0.65 .....	1	Orange paint
•	12253-NLR-A31	GASKET, CYLINDER HEAD 0.70 .....	1	Green paint
•	12254-NLR-A31	GASKET, CYLINDER HEAD 0.75 .....	1	Yellow paint
• 5	14110-MFL-R10	CAM SHAFT COMP, IN.....	1	
• 6	14210-MFL-R10	CAM SHAFT COMP, EXH.....	1	
• 7	14321-NLR-A30	SPROCKET, CAM.....	2	
• 8	14751-MFL-R10	SPG, IN VALVE OUTER .....	8	Brown paint
• 9	14752-MFL-R10	SPG, IN VALVE INNER .....	8	Brown paint
• 10	14761-MFL-R10	SPG, EX VALVE.....	8	Sky blue paint
• 11	31910-NLR-A31	SPARK PLUG (R0459A-10) .....	4	
• 12	36140-NLR-B00	PULSER ASSY., CAM .....	1	
• 13	90082-NL9-710	BOLT, FLANGE KNOCK, 7 x 10.5.....	4	
14	90488-425-000	WASHER, SEALING 6 mm.....	2	
15	91303-KF0-003	O-RING, 14.8 x 2.4 (ARAI) .....	1	

Block No.

**E-2**  
**OIL COOLER**

2010 CBR1000RR

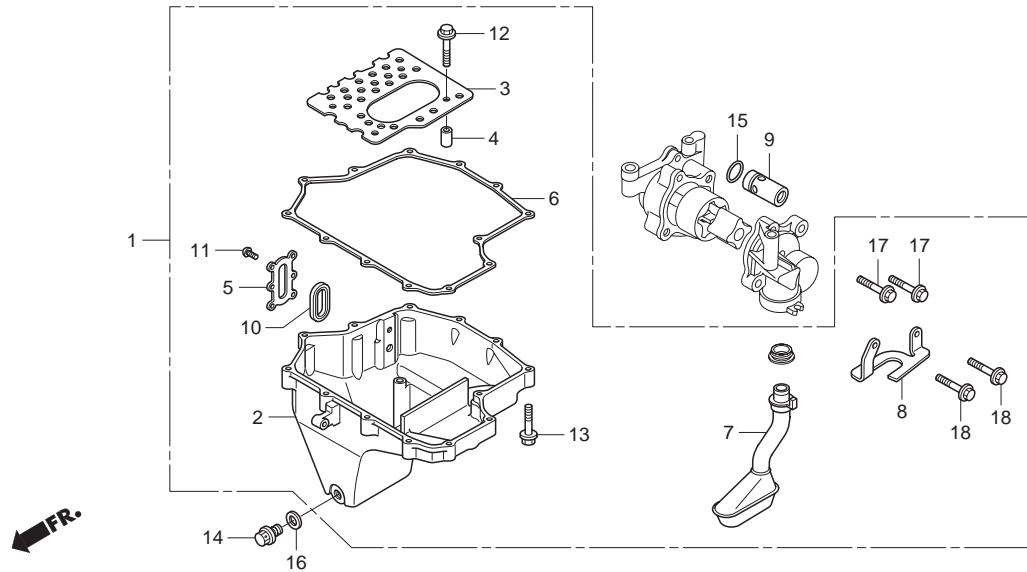


Ref. No.	Part No.	Description	Reqd. No.	Remarks
• 1	06180-NLR-A30	OIL COOLER SET .....	1	
• 2	15700-MFL-R11	COOLER COMP., OIL .....	1	
• 3	19526-MFL-R10	HOSE A, OIL/C.....	1	
• 4	19529-MFL-R10	HOSE C, OIL/C.....	1	
5	50252-GC4-830	BAND, SUB TANK.....	1	
• 6	90003-NL5-000	PLUG, TAPER .....	1	hole for wire lock
• 7	90019-N1A -D00	BOLT, OIL COOLER.....	1	hole for wire lock
8	90402-MFJ-D01	WASHER, SEALING, 34.5 mm.....	1	STD.
9	91354-MCT-003	O-RING, OIL COOLER.....	1	STD.

Block No.

**E-3**  
**OIL PAN SET**

2010 CBR1000RR



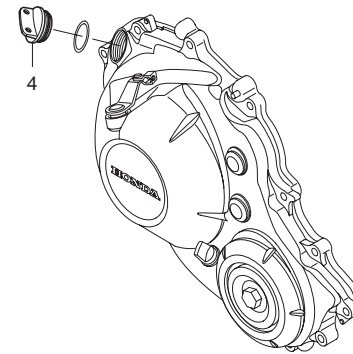
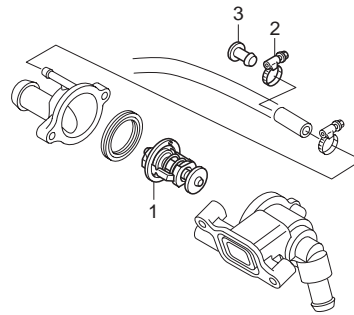
Ref. No.	Part No.	Description	Reqd. No.	Remarks
• 1	06260-NLR-000	OIL PAN SET, SBK .....	1	
• 2	11211-NLR-000	OIL PAN .....	1	
• 3	11212-NLR-000	PLATE, BAFFLE .....	1	
• 4	11213-NLR-000	COLLAR, 6.2 x 12 x 15 .....	4	
• 5	11217-NLR-000	PLATE, OIL LEVEL FINDER.....	1	
• 6	11292-NLR-000	GASKET, OIL PAN .....	1	
• 7	15150-NLR-000	STRAINER COMP., OIL.....	1	
• 8	15161-NLR-000	STAY, STRAINER STOPPER .....	1	
• 9	15220-NLR-000	VALVE ASSY., RELIEF (7K) .....	1	For SBK/AMA
• 10	15661-NLR-003	FINDER, OIL LEVEL.....	1	
• 11	90005-NLR-000	SCREW, FLAT, 4 x 8.5.....	6	
12	90006-GHB-680	BOLT, FLANGE, NSHF, 6 x 28 .....	4	
13	90006-GHB-690	BOLT, FLANGE, NSHF, 6 x 32 .....	13	
• 14	90081-NX4-000	BOLT, DRAIN, 12 mm.....	1	hole for wire lock
15	91313-MB0-003	O-RING, 14.7 x 2.2 .....	1	For SBK/AMA
16	94109-12000	WASHER, DRAIN PLUG, 12 mm .....	1	STD.
17	95701-06030-00	BOLT, FLANGE, 6 x 30.....	2	
18	95701-06032-00	BOLT, FLANGE, 6 x 32.....	2	

Block No.

### E-4

## THERMOSTAT / OIL FILLER CAP

2010 CBR1000RR

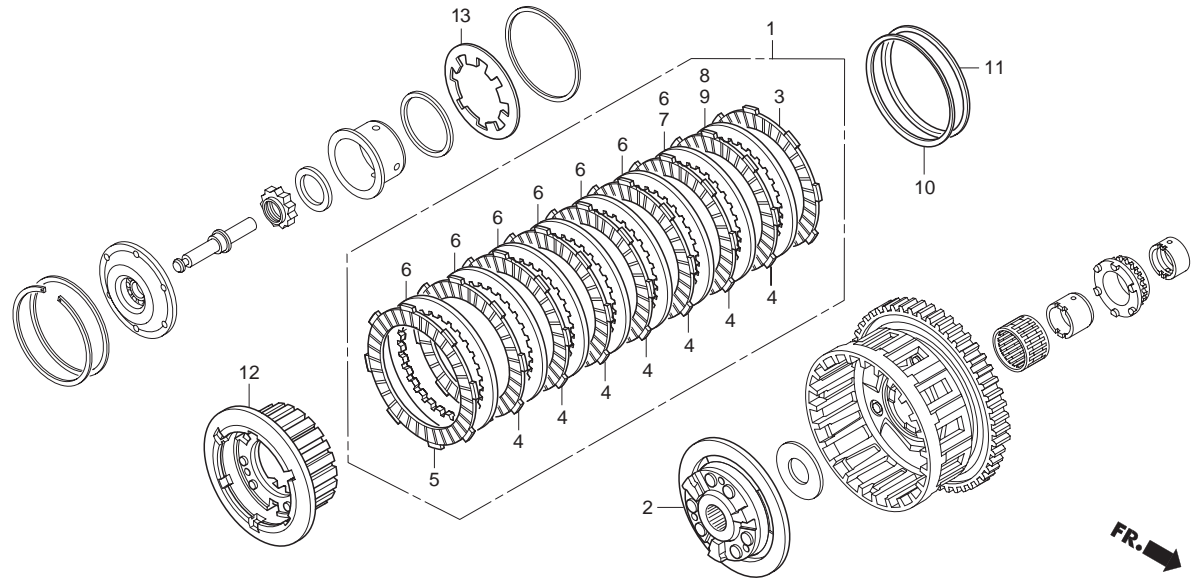


Ref. No.	Part No.	Description	Reqd. No.	Remarks
• 1	19320-MFL-R11	THERMOSTAT .....	1	62°C
• 2	19507-MAT-000	CLAMP, RADIATOR HOSE .....	1	
• 3	19511-NL3-650	PLUG, FAST IDLE.....	1	
• 4	15611-NF4-900	CAP, OIL FILLER.....	1	hole for wire lock

Block No.

**E-5  
CLUTCH**

2010 CBR1000RR



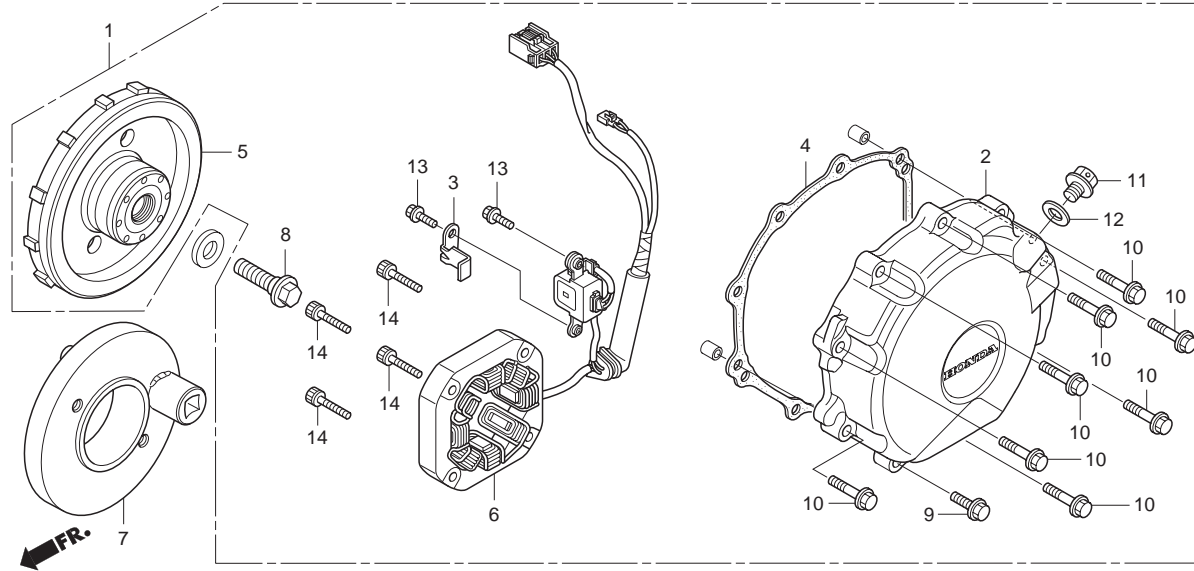
Ref. No.	Part No.	Description	Reqd. No.	Remarks
• 1	06280-NLR-A30	DISK SET, CLUTCH.....	1	
• 2	22120-MFL-R20	CENTER COMP., CLUTCH.....	1	
• 3	22201-NL9-C30	DISK, CLUTCH FRICTION.....	1	
• 4	22201-MEL-000	DISK, CLUTCH FRICTION.....	7	
• 5	22201-NLR-A30	DISK, CLUTCH FRICTION.....	1	Pink paint
• 6	22321-MEL-000	PLATE, CLUTCH.....	7	
• 7	22321-MT3-000	PLATE A, CLUTCH.....	1	
• 8	22322-MEL-000	PLATE B, CLUTCH.....	1	
• 9	22322-MN4-000	PLATE B, CLUTCH.....	1	
• 10	22325-MFL-R20	SPRING, CLUTCH PLATE.....	1	Sky blue paint
• 11	22326-MFL-R10	SPRING SEAT, JUDDER.....	1	
• 12	22350-MFL-R20	PLATE COMP., CLUTCH PRESSURE.....	1	
• 13	22401-MFL-R20	SPRING, CLUTCH.....	1	Yellow paint

Block No.

**E-6**

**A.C. GENERATOR SET**

2010 CBR1000RR

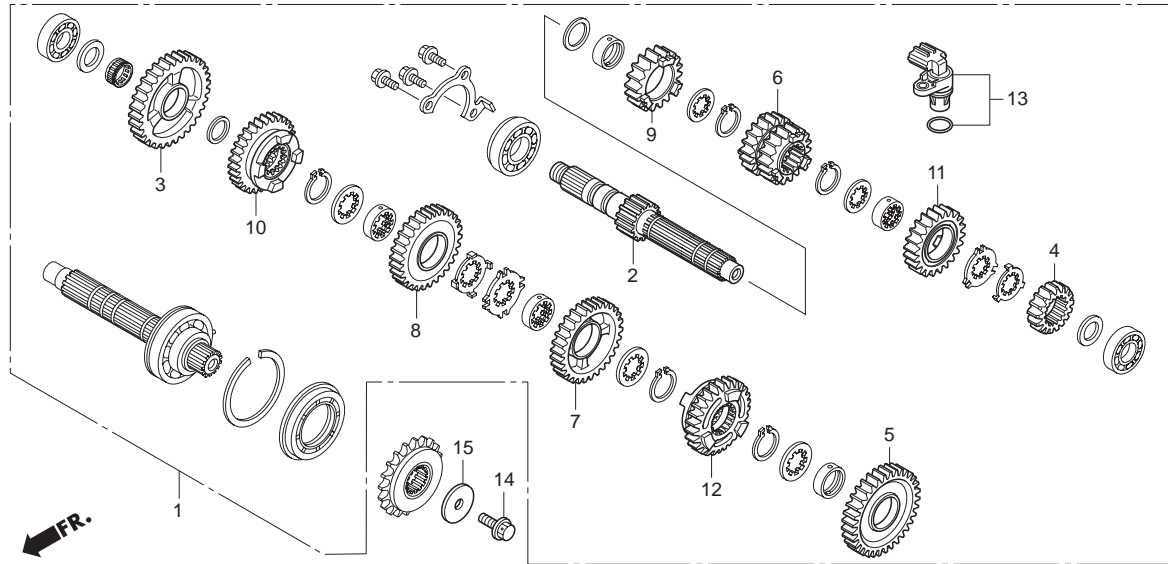


Ref. No.	Part No.	Description	Reqd. No.	Remarks
• 1	06130-NLR-C30	ACG SET.....	1	
• 2	11321-NLR-A30	COVER, ACG .....	1	
• 3	11322-NLR-A30	CLAMP, ACG CORD.....	1	
• 4	11392-NLR-A30	GASKET, ACG COVER.....	1	
• 5	31110-NLR-C30	ROTOR COMP.....	1	
• 6	31120-NLR-A32	STATOR COMP.....	1	
• 7	89030-NL9-711	HOLDER, COMP., ROTOR .....	1	OP
• 8	90003-NL9-000	BOLT, FLANGE, 10 x 35.....	1	
• 9	90006-GHB-660	BOLT, FLANGE, NSHF, 6 x 22 .....	1	
• 10	90006-GHB-680	BOLT, FLANGE, NSHF, 6 x 28 .....	8	
• 11	90029-NLR-A30	BOLT, SEALING 14 mm .....	1	hole for wire lock
• 12	94109-14000	WASHER, PLUG 14 mm .....	1	
• 13	95701-06016-00	BOLT, FLANGE, 6 x 16.....	2	
• 14	96600-06025-00	BOLT, SOCKET, 6 x 25.....	4	



Block No.  
**E-7**  
**TRANSMISSION SET**

2010 CBR1000RR



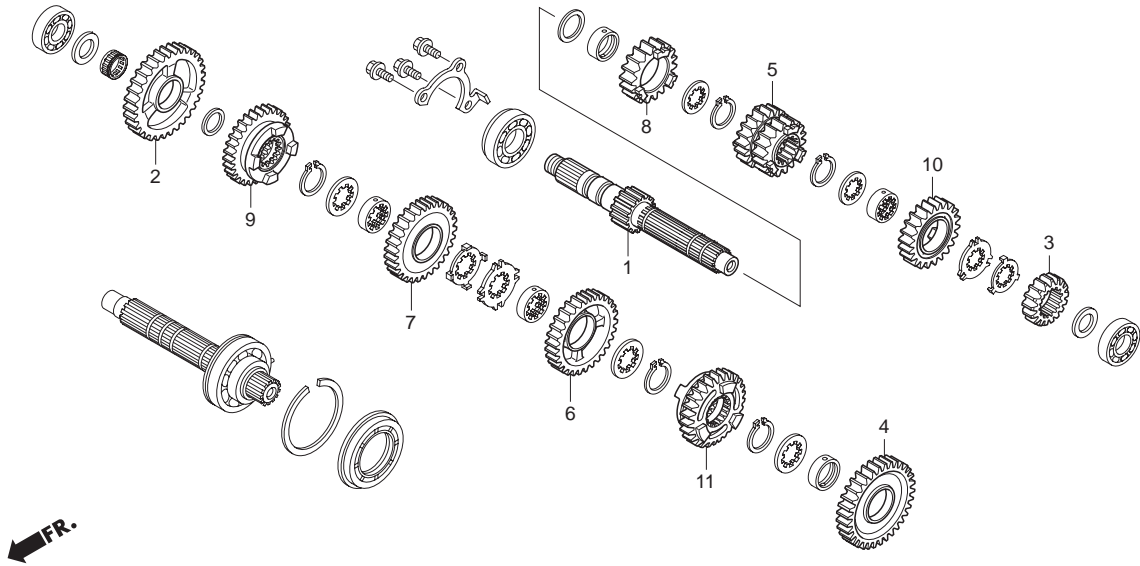
Ref. No.	Part No.	Description	Reqd. No.	Remarks
• 1	06210-NLR-B40	TRANSMISSION SET .....	1	
• 2	23211-MFL-R10	SHAFT, MAIN.....	1	P-1 14T
• 3	23421-NLR-B40	GEAR, C-1.....	1	P-1 32T
• 4	23431-NLR-B40	GEAR, M-2.....	1	P-1 17T
• 5	23441-NLR-B40	GEAR, C-2.....	1	P-1 33T
• 6	23451-NLR-B40	GEAR, M-3 M-4 .....	1	P-11 18T/20T
• 7	23461-NLR-B40	GEAR, C-3.....	1	C3 P-1 30T
• 8	23481-NLR-B40	GEAR, C-4.....	1	C4 P-1 30T
• 9	23491-MFL-R10	GEAR, M-5.....	1	M5 P-1 23T
• 10	23501-MFL-R10	GEAR, C-5.....	1	C5 P-1 31T
• 11	23511-MFL-R10	GEAR, M-6.....	1	M6 P-1 22T
• 12	23521-MFL-R10	GEAR, C-6.....	1	C6 P-1 27T
• 13	37700-MFL-R21	SENSOR, ASSY., SPEED.....	1	
• 14	90004-492-010	SPL. BOLT, FLANGE, 10 x 22 .....	1	hole for wire lock
• 15	90402-NL6-000	WASHER, 10.2 x 37 x 33.....	1	

Block No.

**E-7-1**

**TRANSMISSION  
(OPTIONAL PARTS)**

2010 CBR1000RR



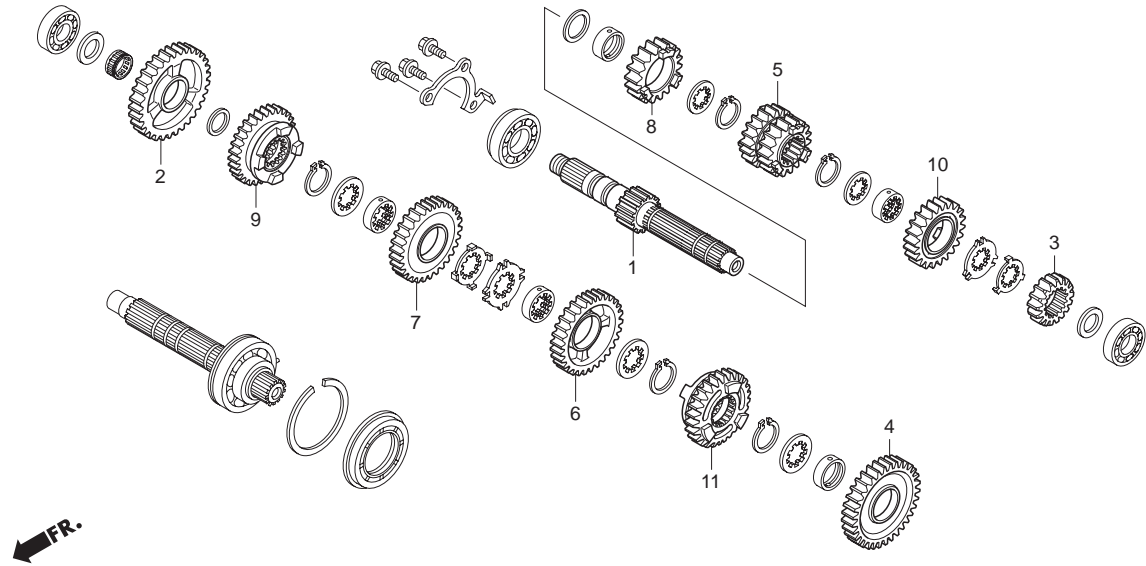
Ref. No.	Part No.	Description	Reqd. No.	Remarks
• 1	23212-NLR-A30	SHAFT, MAIN P-2 .....	1	P-2 15T
•	23213-NLR-A30	SHAFT, MAIN P-3 .....	1	P-3 14T
• 2	23422-NLR-B40	GEAR, C-1, P-2 .....	1	P-2 36T
•	23423-NLR-B40	GEAR, C-1, P-3 .....	1	P-3 31T
• 3	23432-NLR-B40	GEAR, M-2 P-2 .....	1	P-2 18T
•	23433-NLR-B40	GEAR, M-2 P-3 .....	1	P-3 17T
• 4	23442-NLR-B40	GEAR, C-2 P-2 .....	1	P-2 36T
•	23443-NLR-B40	GEAR, C-2 P-3 .....	1	P-3 32T
• 5	23452-NLR-B40	GEAR, M-3 M-4 P-12 .....	1	P-12 18T/19T
•	23453-NLR-B40	GEAR, M-3 M-4 P-21 .....	1	P-21 20T/20T
•	23454-NLR-B40	GEAR, M-3 M-4 P-22 .....	1	P-22 20T/19T
•	23455-NLR-B40	GEAR, M-3 M-4 P-31 .....	1	P-31 19T/20T
•	23456-NLR-B40	GEAR, M-3 M-4 P-32 .....	1	P-32 19T/19T
• 6	23462-NLR-B40	GEAR, C-3 P-2 .....	1	C3 P-2 34T
•	23463-NLR-B40	GEAR, C-3 P-3 .....	1	C3 P-3 31T
• 7	23482-NLR-B40	GEAR, C-4 P-2 .....	1	C4 P-2 29T
•	23483-NLR-B40	GEAR, C-4 P-3 .....	1	C4 P-3 29T
• 8	23492-NLR-B40	GEAR, M-5 P-2 .....	1	M5 P-2 20T
•	23493-NLR-A30	GEAR, M-5 P-3 .....	1	M5 P-3 19T
•	23494-NLR-A30	GEAR, M-5 P-4 .....	1	M5 P-4 22T
• 9	23502-NLR-A30	GEAR, C-5 P-2 .....	1	C5 P-2 28T
•	23503-NLR-A30	GEAR, C-5 P-3 .....	1	C5 P-3 26T

Block No.

**E-7-1**

**TRANSMISSION  
(OPTIONAL PARTS)**

2010 CBR1000RR

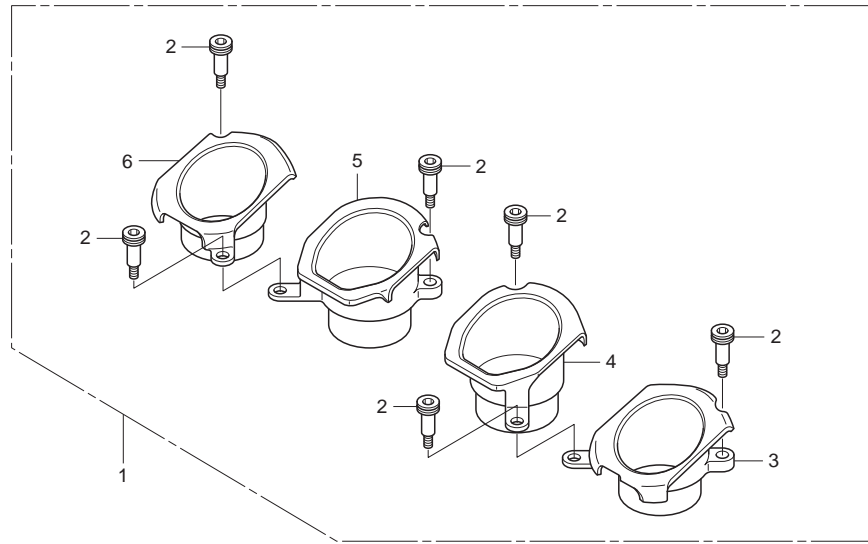


Ref. No.	Part No.	Description	Reqd. No.	Remarks
•	23504-NLR-A30	GEAR, C-5 P-4 .....	1	C5 P-4 29T
• 10	23512-NLR-A30	GEAR, M-6 P-2 .....	1	M6 P-2 22T
•	23513-NLR-A30	GEAR, M-6 P-3 .....	1	M6 P-3 24T
•	23514-NLR-A30	GEAR, M-6 P-4 .....	1	M6 P-4 25T
• 11	23522-NLR-A30	GEAR, C-6 P-2 .....	1	C6 P-2 28T
•	23523-NLR-A30	GEAR, C-6 P-3 .....	1	C6 P-3 30T
•	23524-NLR-A30	GEAR, C-6 P-4 .....	1	C6 P-4 30T

Block No.

**E-8**  
**AIR FUNNEL SET**

2010 CBR1000RR

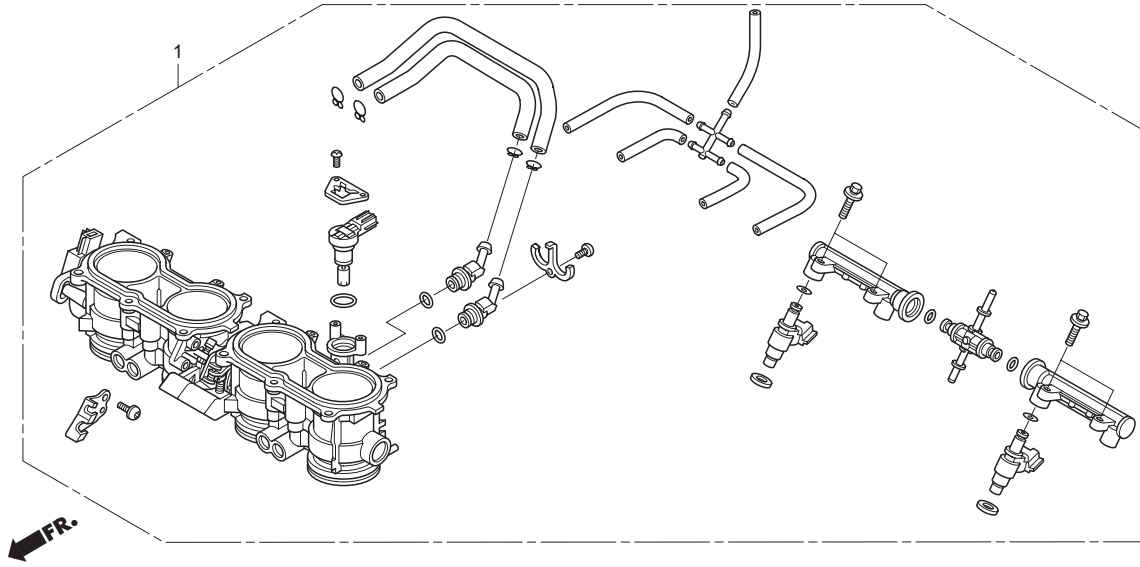


Ref. No.	Part No.	Description	Reqd. No.	Remarks
• 1	06160-NLR-B30	AIR FUNNEL SET .....	1	
• 2	16514-NL9 -710	BOLT, 5mm .....	6	
• 3	17215-NLR-B30	FUNNEL, AIR #1 .....	1	#1-15
• 4	17216-NLR-B30	FUNNEL, AIR #2 .....	1	#2-25
• 5	17217-NLR-B30	FUNNEL, AIR #3 .....	1	#3-25
• 6	17218-NLR-B30	FUNNEL, AIR #4 .....	1	#4-15

Block No.

**E-9**  
**THROTTLE BODY**

2010 CBR1000RR



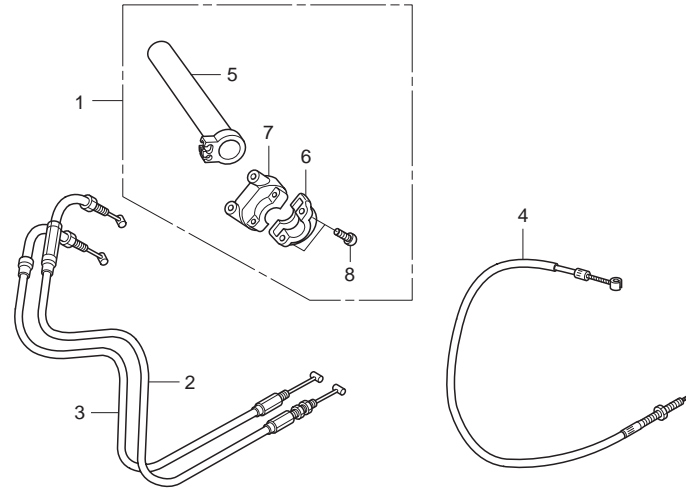
Ref. No.	Part No.	Description	Reqd. No.	Remarks
• 1	16400-MFL-R11	THROTTLE BODY ASSY. (GQ23D A).....	1	

Block No.

**F-1**

**THROTTLE / CLUTCH CABLE**

2010 CBR1000RR



←FR.

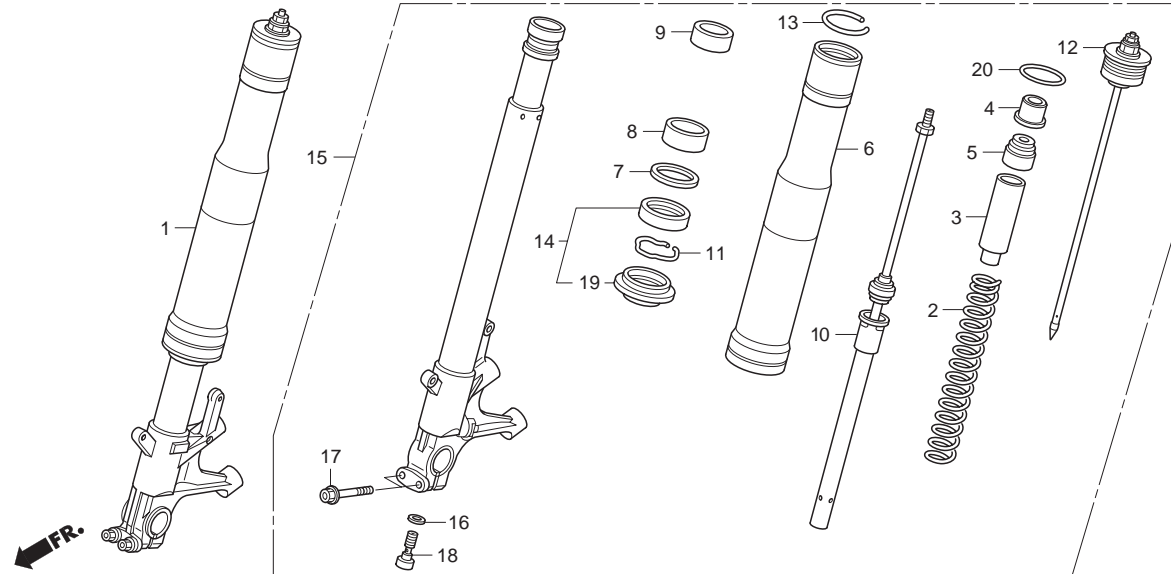
Ref. No.	Part No.	Description	Reqd. No.	Remarks
• 1	06531-NL3-750	HOUSING SET, THROT .....	1	
• 2	17910-NLR-000	CABLE COMP. A, THROT .....	1	
• 3	17920-NLR-000	CABLE COMP. B, THROT .....	1	
• 4	22870-NLR-000	CABLE COMP., CLUTCH.....	1	
• 5	53141-MT7-000	PIPE, THROT GRIP HRC.....	1	
6	53167-KV3-700	HOUSING, THROT UP .....	1	BOSS cut
7	53168-KV3-701	HOUSING, THROT UND .....	1	
8	93500-05022-0G	SCREW, PAN, 5 x 22.....	2	



Block No.

**F-3**  
**FRONT FORK**

2010 CBR1000RR



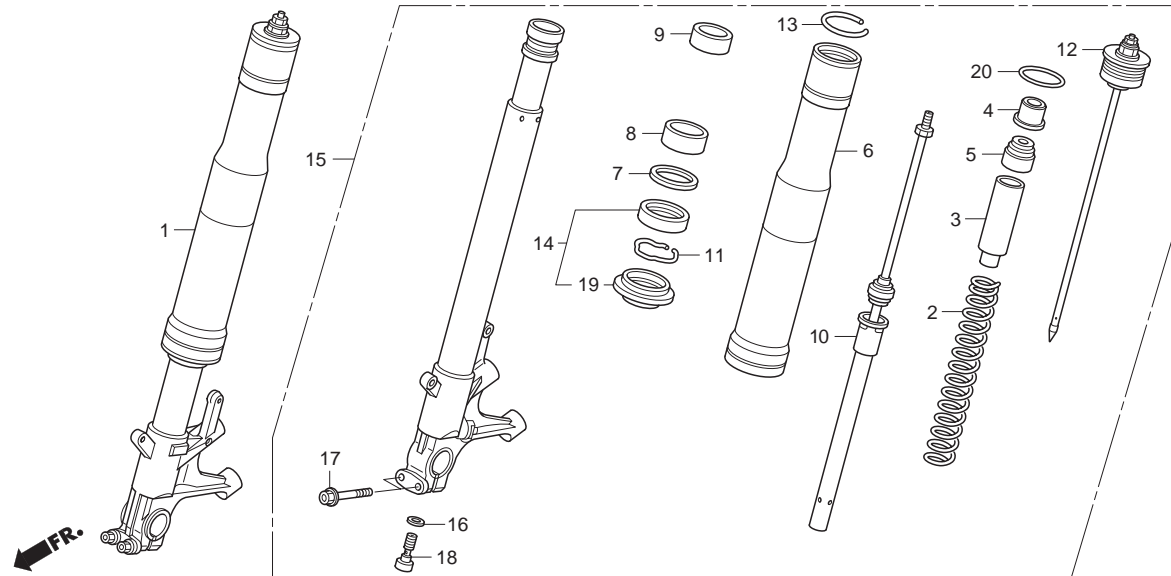
Ref. No.	Part No.	Description	Reqd. No.	Remarks
• 1	51400-MFL-R11	FORK ASSY., R. FRONT .....	1	No sale by HRC, 51400-MFL-003 (exchanges No. 2, 3, 4, 5)
• 2	51401-MEL-R31	SPRING, FR. FORK .....	2	
•	51401-NL9-711	SPRING, FR. FORK 1.05.....	(2)	
•	51401-NL9-901	SPRING, FR. FORK 0.90.....	(2)	
•	51402-NL9-711	SPRING, FR. FORK 1.10.....	(2)	
•	51402-NL9-901	SPRING, FR. FORK 1.00.....	(2)	
• 3	51403-MFL-R11	COLLAR, SPRING.....	2	
• 4	51404-MFL-R11	COLLAR B, SPRING .....	2	
• 5	51406-MEL-R11	STOPPER, SPRING SEAT .....	2	
6	51410-MFL-003	TUBE, OUTER .....	2	STD.
7	51412-MEL-003	RING, BACK UP.....	2	STD.
8	51414-MFL-003	BUSH, GUIDE.....	2	STD.
9	51415-MCF-003	BUSH, SLIDER .....	2	STD.
10	51430-MFL-003	DAMPER COMP., FR .....	2	STD.
11	51447-KA4-711	RING, OIL SEAL STOPPER .....	2	STD.
12	51450-MFL-003	BOLT COMP., FR. FORK.....	2	STD.
13	51455-MW4-003	RING, STOPPER.....	2	STD.
14	51490-MFL-003	SEAL SET, FR. FORK .....	2	STD.
• 15	51500-MFL-R11	FORK ASSY., L. FRONT.....	1	No sale by HRC, 51500-MFL-003 (exchanges No. 2, 3, 4, 5)
16	52442-KA3-711	WASHER, SPECIAL 10 mm .....	2	STD.



Block No.

**F-3**  
**FRONT FORK**

2010 CBR1000RR

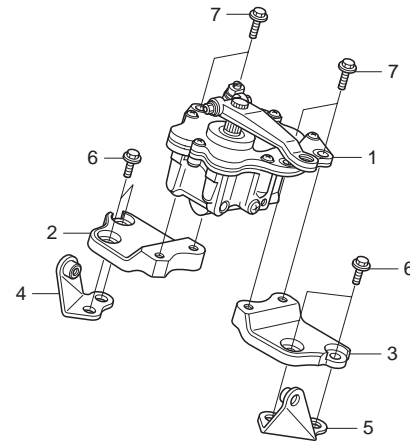


Ref. No.	Part No.	Description	Reqd. No.	Remarks
17	90109-MR7-000	BOLT, FLANGE DR 8 x 45.....	4	STD.
18	90126-MR7-003	BOLT, SOCKET 10 x 35.....	2	STD.
19	91254-MEJ-003	DUST SEAL .....	2	
20	91258-GF4-003	O-RING, 42.2 x 2.4 .....	2	STD.

Block No.

**F-4**  
**STEERING DAMPER**

2010 CBR1000RR

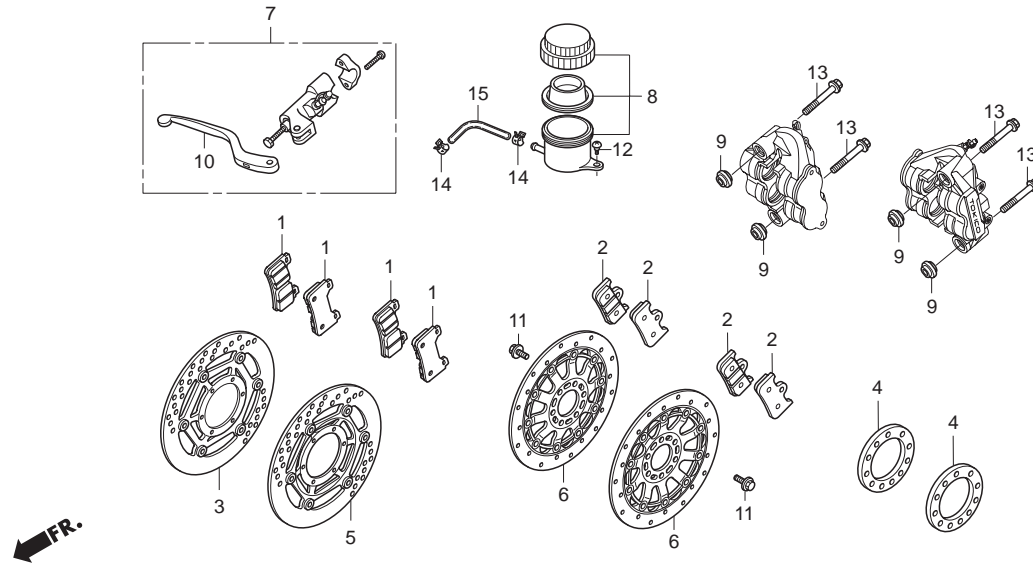


Ref. No.	Part No.	Description	Reqd. No.	Remarks
• 1	53700-NLR-003	DAMPER ASSY., STRG .....	1	
• 2	53707-NLR-A000	STAY RIGHT, STRG DAMPER.....	1	
• 3	53708-NLR-A000	STAY LEFT, STRG DAMPER .....	1	
• 4	53717-NLR-A000	STAY RIGHT, SHELTER.....	1	
• 5	53718-NLR-A000	STAY LEFT, SHELTER .....	1	
6	96001-06018-00	BOLT FLANGE SH 6 x 18.....	4	
7	96001-06022-00	BOLT FLANGE SH 6 x 22.....	4	

Block No.

**F-5**  
**FRONT BRAKE**

2010 CBR1000RR

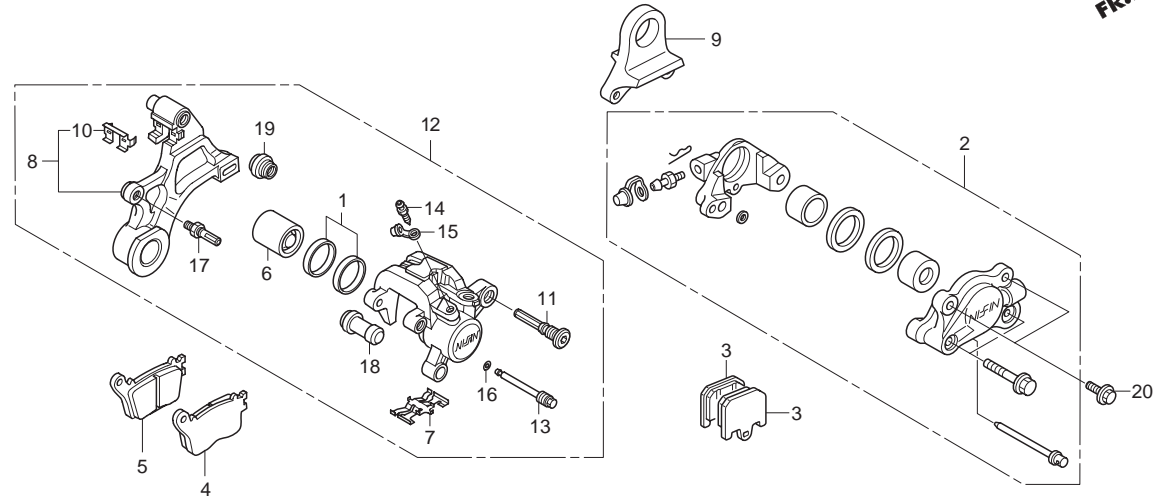


Ref. No.	Part No.	Description	Reqd. No.	Remarks
• 1	45105-NL3-921	PAD COMP., FR. (H21A) .....	4	For STD. CALIPER
•	45105-NL9-801	PAD COMP., FR. (N615).....	4	For STD. CALIPER
•	45106-NL3-921	PAD COMP., FR. (N608).....	4	For STD. CALIPER
• 2	45105-NL9-000	PAD COMP., FR. (N614).....	4	For BREMBO CALIPER
•	45105-NL9-900	PAD COMP., FR. (N608).....	4	For BREMBO CALIPER
•	45105-NL9-C00	PAD COMP., FR. (N615).....	4	For BREMBO CALIPER
• 3	45120-MFL-R11	DISK COMP., R. FR. BRAKE .....	1	For STD. WHEEL Ø320 t5.5
• 4	45130-NL9-000	SPACER, FR. WHEEL DISK 1.5.....	2	For SHOWA SPL FORK, NL9 WHEEL
•	45130-NLR-A30	SPACER, FR. WHEEL DISK 0.2.....	2	For STD. FORK, NL9 WHEEL
• 5	45220-MFL-R11	DISK COMP., L. FR. BRAKE.....	1	For STD. WHEEL Ø320 t5.5
• 6	45250-NL9-910	DISK ASSY., FR. 320 x T6.....	2	BREMBO, For NL9 WHEEL Ø320 t6.0 OFFSET 12.5
• 7	45500-NL5-701	M/C ASSY., BR L18.....	1	BREMBO
• 8	45520-NL5-701	CUP ASSY., FR. M/C.....	1	
• 9	51497-MEL-D20	SPACER, FR. FORK.....	4	For STD. FORK, STD. CALIPER
•	51497-NLR-A30	SPACER, FR. FORK.....	4	For STD. FORK, BREMBO CALIPER
• 10	53160-NL5-701	LEVER, FR. BRAKE L 18P.....	1	BREMBO
• 11	90003-MC7-000	BOLT, FLANGE, 6 x 20.....	12	
• 12	90104-GT8-600	SCREW, SPECIAL, 6 x 14 .....	1	
• 13	90131-MEL-D20	BOLT, FLANGE, 10 x 62.....	4	
• 14	95002-40850-08	CLAMP., TUBE (D8.5) .....	2	
• 15	95003-11015-60	TUBE, VINYL, 5 x 9 x 150 .....	1	

Block No.

**F-6**  
**REAR BRAKE**

2010 CBR1000RR

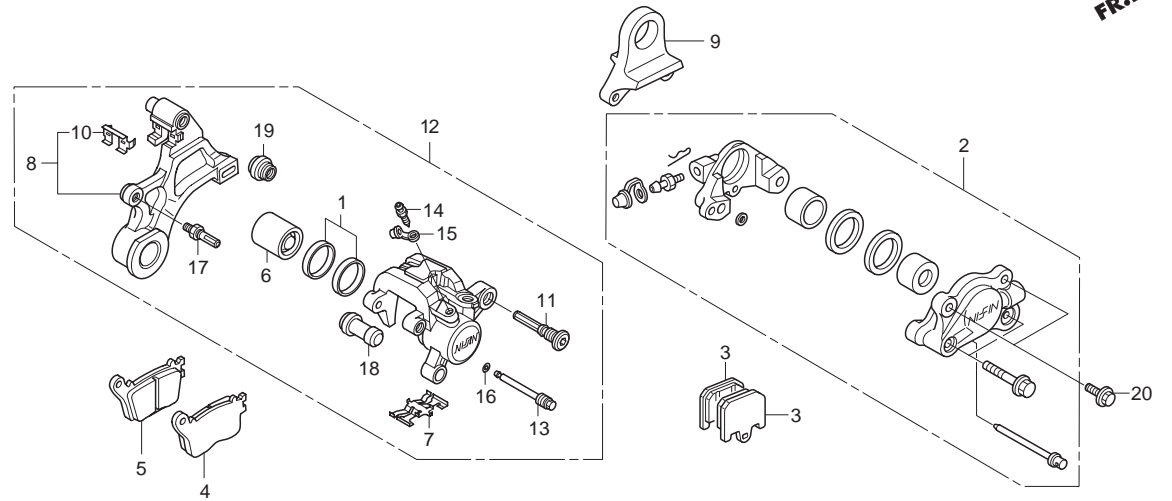


Ref. No.	Part No.	Description	Reqd. No.	Remarks
• 1	06451-166-405	SEAL SET, PISTON .....	1	STD.
• 2	43100-NLR-B01	CALIPER ASSY, RR. ....	1	
• 3	43105-NLR-B00	PAD COMP., RR. (TT2450) .....	2	For NLR CALIPER
• 4	43105-NL9-C30	PAD COMP., A RR. (TT2450) .....	1	For STD. CALIPER
•	43105-NL9-C41	PAD COMP., A RR. (X95A) .....	1	For STD. CALIPER
• 5	43106-NL9-C30	PAD COMP., B RR. (TT2450) .....	1	For STD. CALIPER
•	43106-NL9-C41	PAD COMP., B RR. (X95A) .....	1	For STD. CALIPER
6	43107-MEL-D21	PISTON.....	1	STD.
7	43108-MEL-D21	SPRING, PAD .....	1	STD.
• 8	43110-MEL-R31	BRACKET SUB ASSY., RR.....	1	
• 9	43110-NLR-000	BRKT, RR. CALIPER .....	1	For NLR CALIPER, NL9 WHEEL
10	43112-MEL-D21	RETAINER .....	1	STD.
11	43131-KW3-006	BOLT, PIN .....	1	STD.
• 12	43150-MEL-R31	CALIPER SUB ASSY., RR. ....	1	No sale by HRC, 43150-MEL-D31 (exchanges No. 8)
13	43215-KZ4-J41	PIN, HANGER.....	1	STD.
14	43352-568-003	SCREW, BLEEDER (NISSIN) .....	1	STD.
15	43353-461-771	CAP, BLEEDER .....	1	STD.
16	45111-MAJ-G41	RING, STOPPER.....	1	STD.
17	45131-166-016	BOLT, PIN .....	1	STD.
18	45132-166-016	BOOT, PIN BUSH (NISSIN) .....	1	STD.

Block No.

**F-6**  
**REAR BRAKE**

2010 CBR1000RR



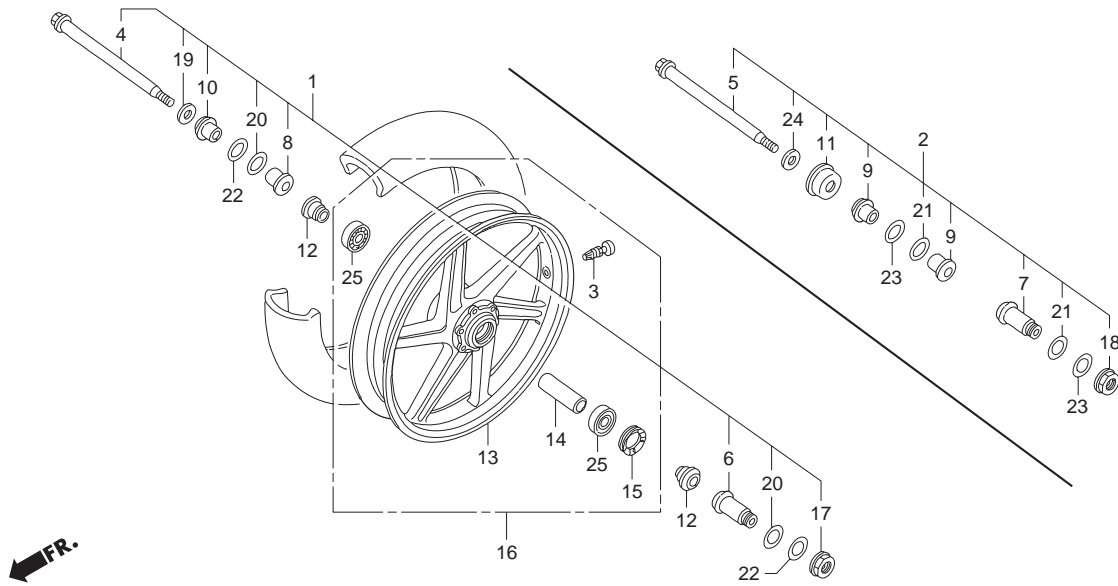
Ref. No.	Part No.	Description	Reqd. No.	Remarks
19	45133-MA3-006	BOOT B.....	1	STD.
• 20	90101-NL6-000	BOLT, FLANGE, 7 x 21.....	2	

Block No.

**F-7**

**FRONT WHEEL / AXLE SET**

2010 CBR1000RR

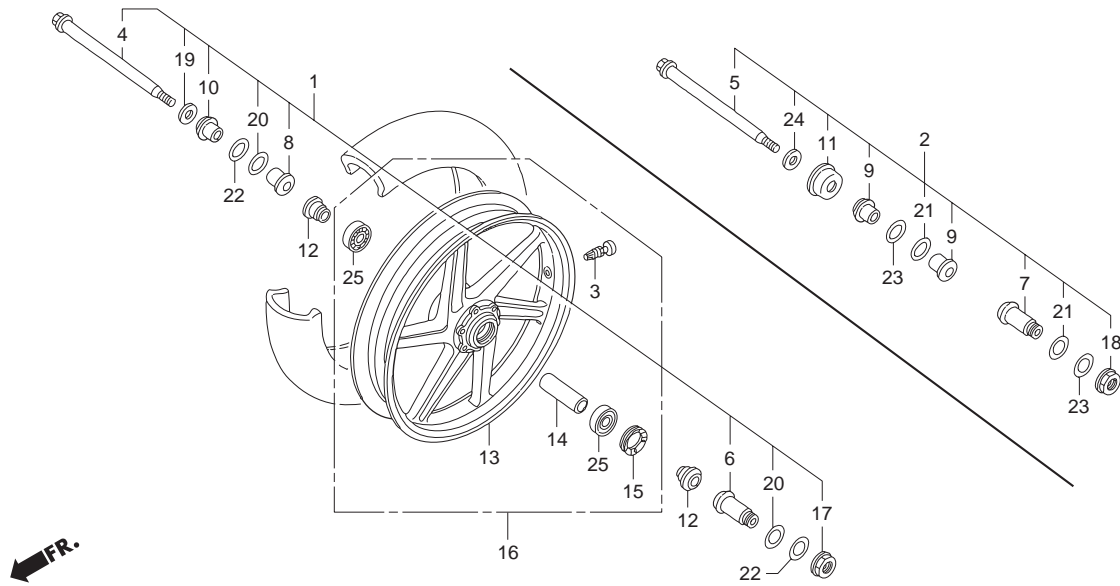


Ref. No.	Part No.	Description	Reqd. No.	Remarks
• 1	06443-NL9-000	FR. AXLE SET.....	1	For SHOWA SPL FORK
• 2	06443-NL9-720	FR. AXLE SET.....	1	For STD. FORK
• 3	42753-ML7-004	VALVE, RIM (DUN).....	1	
• 4	44301-NL6-000	AXLE, FR. WHEEL.....	1	For SHOWA SPL FORK
• 5	44301-NL9-720	AXLE, FR. WHEEL.....	1	For STD. FORK
• 6	44303-NL9-000	NUT, FR. AXLE.....	1	For SHOWA SPL FORK
• 7	44303-NL9-720	NUT, FR. AXLE.....	1	For STD. FORK
• 8	44304-NL9-000	GUIDE A, FR. AXLE.....	1	For SHOWA SPL FORK
• 9	44304-NL9-720	GUIDE, FR. AXLE.....	2	For STD. FORK
• 10	44305-NL9-000	GUIDE B, FR. AXLE.....	1	For SHOWA SPL FORK
• 11	44306-NL9-720	GUIDE WASH, FR. AXLE.....	1	For STD. FORK
• 12	44311-NL9-710	COLLAR, FR. WHEEL SIDE.....	2	For SHOWA SPL FORK, NL9 WHEEL, AXLE KIT
•	44311-NL9-810	COLLAR, FR. WHEEL SIDE.....	2	For STD. FORK, NL9 WHEEL, AXLE KIT
•	44311-NL9-910	COLLAR, FR. WHEEL SIDE.....	2	For STD. FORK, STD. WHEEL, AXLE KIT
• 13	44601-NL9-710	WHEEL, FR. 3.5 - 16.5.....	1	
• 14	44620-NL9-710	COLLAR, FR. WHEEL DIST.....	1	For NL9 WHEEL
• 15	44622-NL0-810	RETAINER, FR. WHEEL.....	1	For NL9 WHEEL
• 16	44650-NL9-710	WHEEL ASSY., FR. 3.5 - 16.5.....	1	
• 17	90305-NL6-000	NUT, M28 x 1.0.....	1	For SHOWA SPL FORK
• 18	90305-NL9-720	NUT, M30 x 1.0.....	1	For STD. FORK

Block No.

**F-7**  
**FRONT WHEEL / AXLE SET**

2010 CBR1000RR



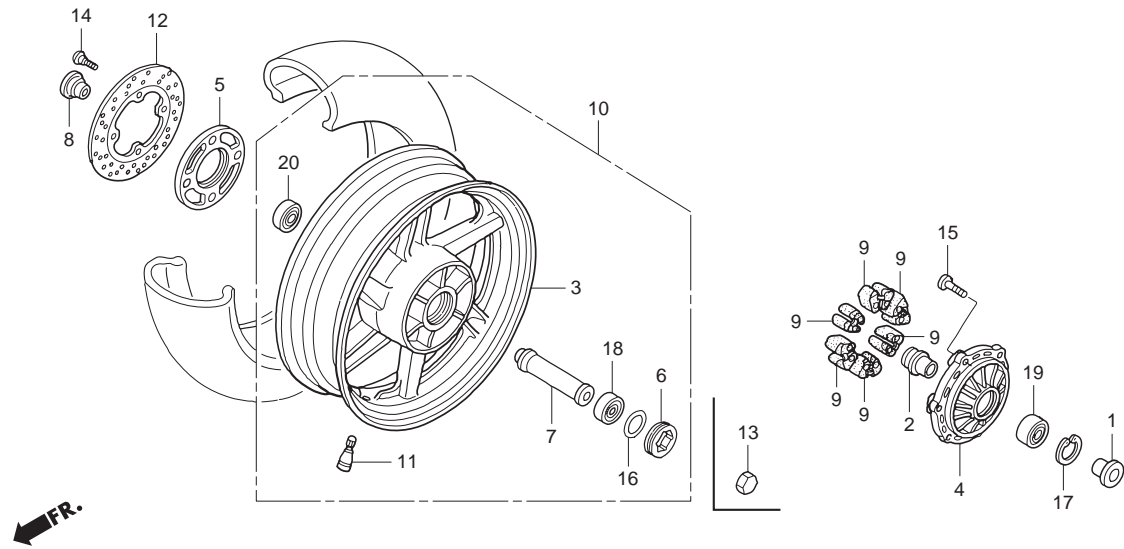
Ref. No.	Part No.	Description	Reqd. No.	Remarks
• 19	90503-NL6-000	WASHER, 45 x 22 x 3.....	1	For SHOWA SPL FORK
• 20	90525-NL9-000	SHIM 0.2, FR. FORK SIDE.....	N	For SHOWA SPL FORK
• 21	90525-NL9-720	SHIM 0.2, FR. FORK R. SIDE .....	N	For STD. FORK
• 22	90526-NL9-000	SHIM 0.3, FR. FORK SIDE.....	N	For SHOWA SPL FORK
• 23	90526-NL9-720	SHIM 0.3, FR. FORK R. SIDE .....	N	For STD. FORK
• 24	90535-NL9-720	WASH, FR. AXLE .....	1	For STD. FORK
• 25	91057-NL9-710	BEARING, RADIAL, BALL .....	2	For NL9 WHEEL

Block No.

**F-8**

**REAR WHEEL**

2010 CBR1000RR



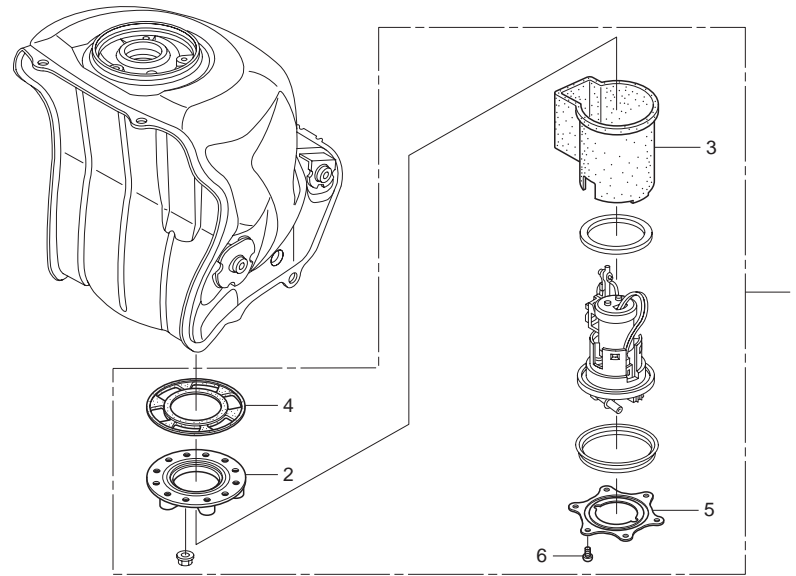
Ref. No.	Part No.	Description	Reqd. No.	Remarks
• 1	42311-NL9-C40	COLLAR, L. DRIVEN FLANGE SIDE .....	1	
• 2	42312-NL6-000	COLLAR, R. DRIVEN FLANGE SIDE .....	1	
• 3	42601-NL9-710	WHEEL, REAR 6.25 - 16.5 .....	1	
• 4	42609-NL6-000	FLANGE, FINAL DRIVEN .....	1	
• 5	42611-NL9-C40	SPACER, RR. BRAKE DISK .....	1	
• 6	42621-NL6-000	RETAINER, RR. WHEEL BRG .....	1	
• 7	42624-NL9-C40	COLLAR, RR. WHEEL DISTANCE .....	1	
• 8	42631-NL9-C40	COLLAR, RR. WHEEL R. SIDE .....	1	
• 9	42633-NL6-003	DAMPER, RR. WHEEL .....	6	
• 10	42650-NL9-C40	WHEEL ASSY., RR. 6.25 - 16.5 .....	1	
11	42753-ML7-004	VALVE, RIM (DUN) .....	1	
• 12	43121-NL6-700	DISK, RR. BRAKE .....	1	
• 13	87000-NL6-000	TOOL, RETAINER A .....	1	
• 14	90119-NL9-C40	BOLT, RR. DISK (Ti) .....	4	
• 15	90120-NL6-300	BOLT, DRIVEN FLANGE 8MM .....	6	
• 16	90501-NL6-000	WASHER, RR. WHEEL BRG .....	1	
17	90651-ML0-731	CIRCLIP, INTERNAL, 62 .....	1	
• 18	91051-NL6-000	BRG., BALL RADIAL 6205 2RS .....	1	
• 19	91052-NL6-003	BRG., ANGULAR 30 x 62 x 23.8 .....	1	
• 20	91053-NL6-701	BRG., BALL RADIAL 52 x 27 x 15 .....	1	



Block No.

**F-9**  
**FUEL TANK SET**

2010 CBR1000RR



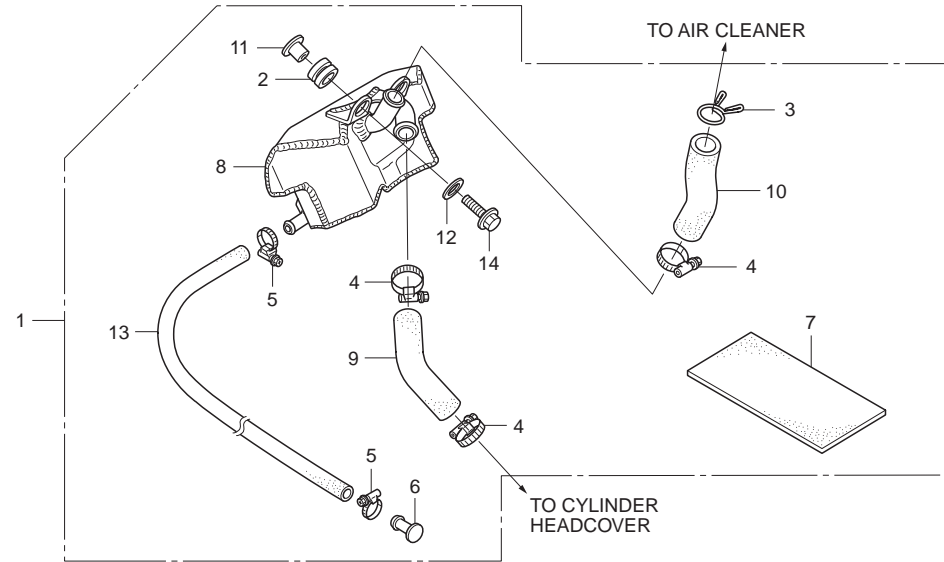
Ref. No.	Part No.	Description	Reqd. No.	Remarks
• 1	06176-NLR-000	RUBBER SET, FUEL PUMP .....	1	
• 2	16711-NLR-000	SPACER, FUEL PUMP .....	1	
• 3	17518-NLR-000	RUBBER, FUEL PUMP .....	1	
• 4	17574-NLR-000	PACKING, SPACER .....	1	
• 5	17575-NLR-000	PLATE, FUEL PUMP SETTING .....	1	
6	90105-MM4-000	SCREW, PAN, 6 x 10.....	6	

Block No.

**F-10**

**BREATHER CASE SET**

2010 CBR1000RR



Ref. No.	Part No.	Description	Reqd. No.	Remarks
• 1	06552-NLR-A30	BREATHER CASE SET (JSB).....	1	
2	18315-GAG-750	RUBBER A, PROTR.....	2	
3	18532-634-670	CLIP, AIR. HOSE, 21.5.....	1	
4	19505-KS6-700	CLAMP, A WATER HOSE.....	3	
5	19507-MAT-000	CLAMP, RADIATOR HOSE.....	2	
• 6	19513-NLR-A30	PLUG, HOSE 10 mm.....	1	
• 7	31517-NL9-000	SPONGE, MT 5 mm.....	1	
• 8	55200-NLR-000	CASE COMP., BREATHER.....	1	
• 9	55210-NLR-000	TUBE, BREATHER.....	1	
• 10	55220-NLR-000	TUBE, BREATHER RETURN.....	1	
11	84706-163-670	COLLAR, TAIL LIGHT MT.....	2	
12	90525-030-000	WASHER B, HANDLE HOLDER.....	2	
13	95005-80900-20	TUBE, 8 x 900.....	1	
14	96001-06022-00	BOLT, FLANGE, SH, 6 x 22.....	2	

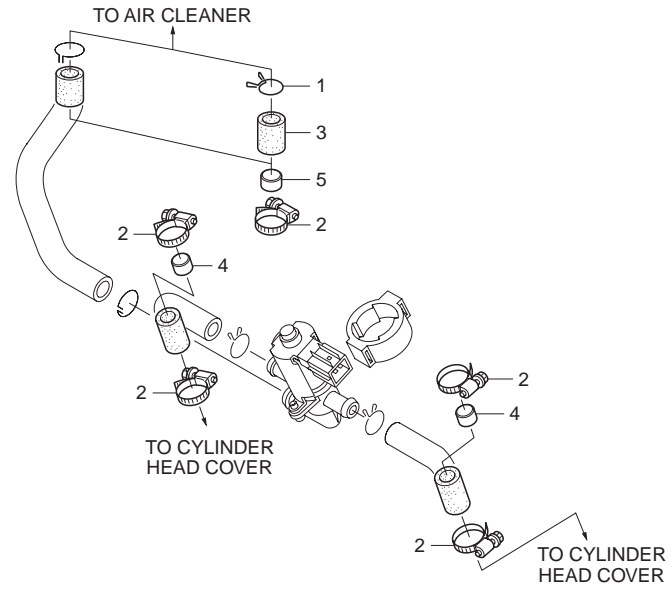
Block No.

**F-11**

**AIR INJECTION PLUG SET**

2010 CBR1000RR

FR.



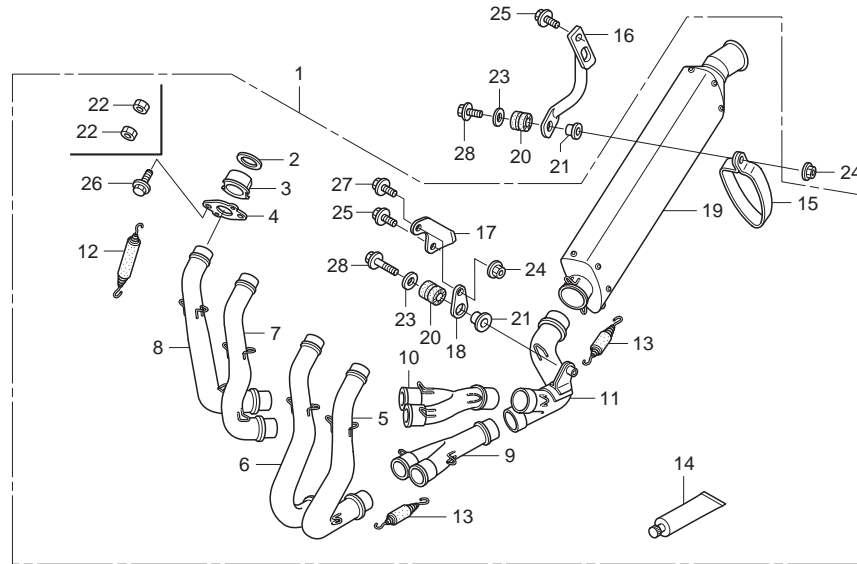
Ref. No.	Part No.	Description	Reqd. No.	Remarks
1	17724-102-700	CLIP, (SUB TANK) HOSE.....	1	
2	19505-KS6-700	CLAMP A, WATER HOSE .....	5	
3	95005-14035-20	TUBE, 14 x 35 .....	1	
• 4	96205-14012	PLUG, CONE TYPE, 14 x 12 .....	2	
• 5	96205-15012	PLUG, CONE TYPE, 15 x 12 .....	1	

Block No.

**F-12**

**EXHAUST SET**

2010 CBR1000RR



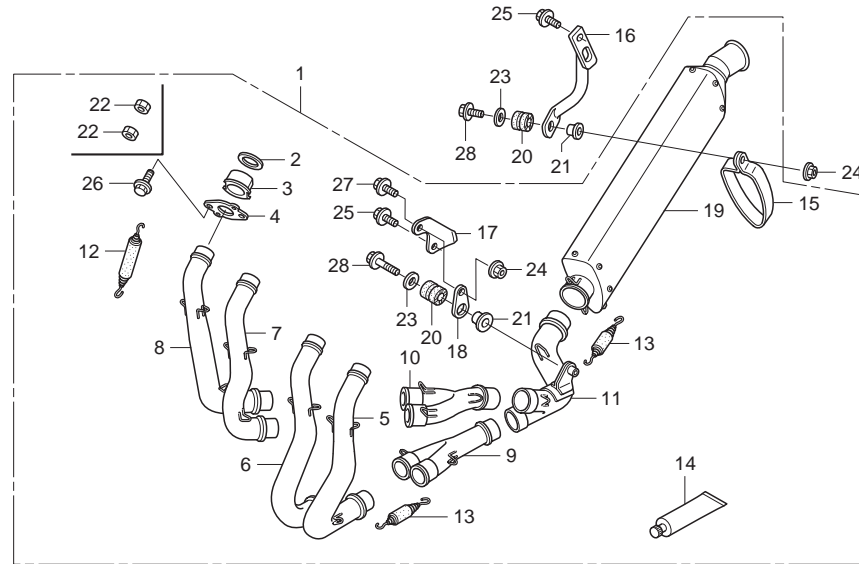
Ref. No.	Part No.	Description	Reqd. No.	Remarks
• 1	06183-NLR-B00	EXHAUST SET (SBK).....	1	
•	06183-NLR-B30	EXHAUST SET (JSB).....	1	
• 2	18291-NLR-000	GASKET, EXH., PIPE.....	4	
• 3	18292-NLR-000	COLLAR, EXH.....	4	
• 4	18298-NLR-000	FLANGE, EXH.....	4	
• 5	18301-NLR-B00	PIPE COMP., EXH. (#1).....	1	
• 6	18302-NLR-B00	PIPE COMP., EXH. (#2).....	1	
• 7	18303-NLR-B00	PIPE COMP., EXH. (#3).....	1	
• 8	18304-NLR-B00	PIPE COMP., EXH. (#4).....	1	
• 9	18305-NLR-B00	JOINT COMP., A1, EXH.....	1	
• 10	18306-NLR-B00	JOINT COMP., A2, EXH.....	1	
• 11	18307-NLR-B00	JOINT COMP., B, EXH.....	1	
• 12	18336-NL9-000	SPRING, EXH., PIPE (AKRAPOVIC).....	8	
• 13	18336-NLR-A30	SPRING, EXH., PIPE (SHORT).....	8	
• 14	18339-NL9-910	GREASE, ANTI SEIZING.....	1	
• 15	18370-NLR-B00	BAND, MUFFLER.....	1	
• 16	18371-NLR-000	STAY, MUFFLER.....	1	For HRC SEAT RAIL SET
•	18371-NLR-A20	STAY, MUFFLER.....	1	For STD. SEAT RAIL
• 17	18373-NLR-B00	STAY, EXH., PIPE.....	1	
• 18	18375-NLR-000	STAY, EXH., PIPE (20).....	1	

Block No.

# F-12

## EXHAUST SET

2010 CBR1000RR

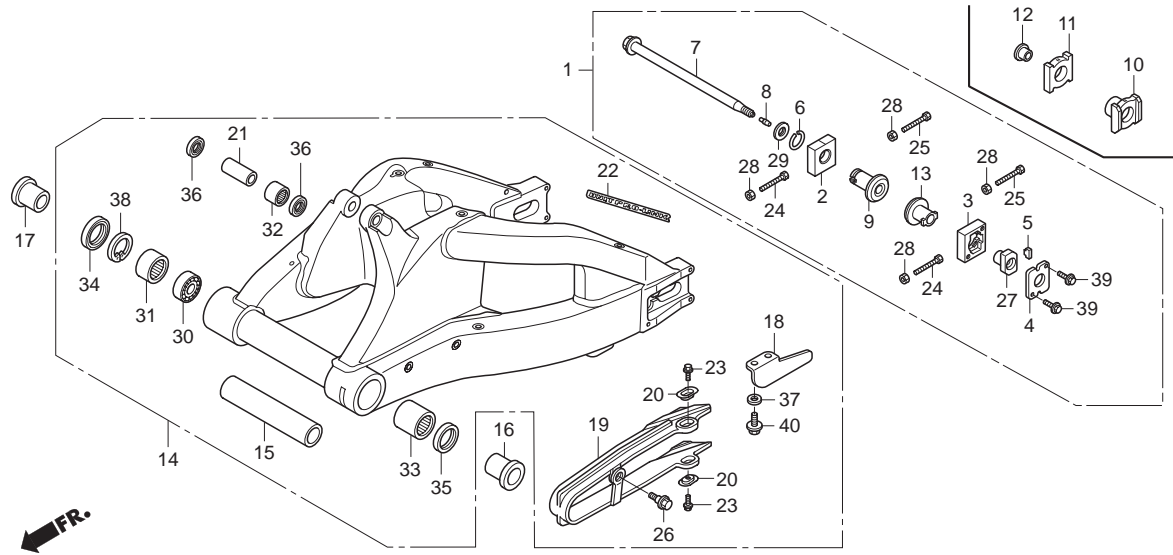


Ref. No.	Part No.	Description	Reqd. No.	Remarks
• 19	18380-NLR-B00	MUFFLER COMP. (SHORT) (SBK) .....	1	For SBK
•	18380-NLR-B30	MUFFLER COMP. (JSB).....	1	For JSB
20	19051-KA3-830	RUBBER, RAD MT.....	2	
21	19052-MAC-680	COLLAR, RAD MT.....	2	
22	90201-GCC-C50	NUT, HEX., 7 mm.....	2	
23	90403-KA3-830	WASHER, RAD MT. ....	2	
24	94050-06000	NUT, FLANGE, 6 mm .....	2	
25	95701-08016-00	BOLT, FLANGE, 8 x 16.....	2	
26	95701-08020-00	BOLT, FLANGE, 8 x 20.....	8	
27	96001-06012-00	BOLT, FLANGE, SH, 6 x 12.....	1	
28	96001-06025-00	BOLT, FLANGE, SH, 6 x 25.....	2	

Block No.

**F-13**  
**SWINGARM**

2010 CBR1000RR

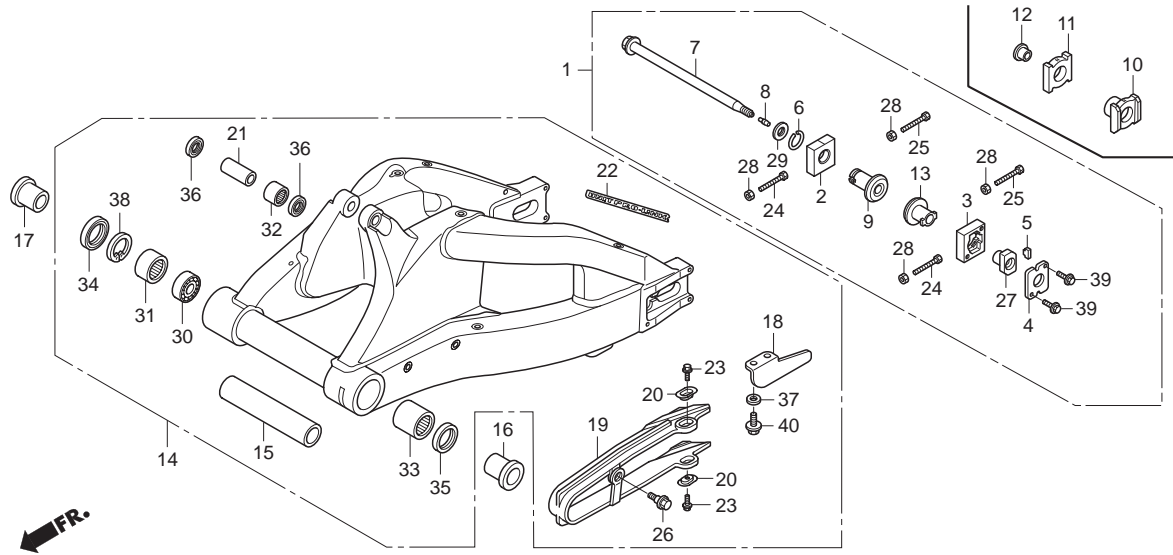


Ref. No.	Part No.	Description	Reqd. No.	Remarks
• 1	06405-NLR-000	DRIVE CHAIN ADJ SET .....	1	
• 2	40542-NLR-000	ADJ, R. DRIVE CHAIN.....	1	
• 3	40543-NLR-000	ADJ, L. DRIVE CHAIN .....	1	
• 4	40544-NLR-000	LID, L. DRIVE CHAIN ADJ.....	1	
• 5	40545-NL9-000	SPACER, ADJ. DRIVE CHAIN L .....	1	
6	41405-HA7-670	RING, STOPPER.....	1	
• 7	42301-NL9-000	AXLE, RR. WHEEL.....	1	
• 8	42302-NL6-700	GUIDE, RR. AXLE CNT .....	1	
• 9	42304-NL9-C40	COLLAR, RR. AXLE R.....	1	
• 10	42305-MEL-R10	COLLAR, L. RR. AXLE .....	1	
• 11	42306-MEL-R10	COLLAR, R. RR. AXLE.....	1	
• 12	42307-MEL-R10	COLLAR, R. JOINT .....	1	
• 13	42314-NLR-000	COLLAR, RR. AXLE L. SIDE.....	1	
• 14	52100-MFL-R20	SWINGARM ASSY., RR.....	1	
•	52100-NLR-B00	SWINGARM ASSY., RR.....	1	90101-NLR-B00 (BOLT, SPECIAL, 12 x 261.5 (TITANIUM)) use with set.
15	52102-MFL-700	COLLAR, RR. SWINGARM DISTANCE .....	1	
16	52143-MFL-000	COLLAR, L. PIVOT DISTANCE .....	1	STD.
17	52144-MFL-000	COLLAR, R. PIVOT DISTANCE .....	1	STD.
• 18	52157-NL3-650	PROTECTOR, SPRKT .....	1	
•	52157-NL6-700	PROTECTOR, SPRKT .....	1	For 52100-NLR-B00 (SWINGARM ASSY., RR.)

Block No.

**F-13**  
**SWINGARM**

2010 CBR1000RR

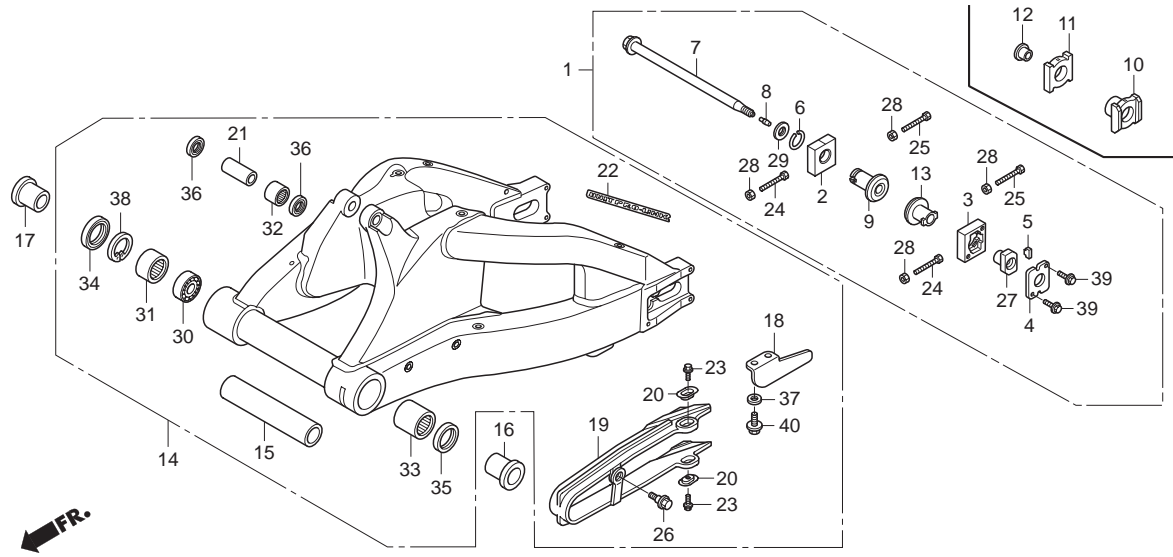


Ref. No.	Part No.	Description	Reqd. No.	Remarks
19	52170-MFL-010	SLIDER, CHAIN .....	1	STD.
20	52171-MFJ-D00	WASHER, CHAIN SLIDER.....	1	STD.
21	52463-MAL-G00	COLLAR, CUSHION CONNECTING ROD .....	1	STD.
22	87121-MEL-D20	MARK (UNIT PROLINK).....	1	STD.
23	90105-MY9-000	BOLT, FLANGE, SH 6 x 18.....	2	STD.
• 24	90106-NL9-000	BOLT, HEX. 8 x 55.....	2	
25	90119-KC5-000	BOLT, CHAIN ADJUSTER .....	2	
26	90130-MCJ-750	BOLT, CHAIN SLIDER.....	1	STD.
• 27	90308-NL9-000	NUT, RR. AXLE .....	1	
28	90309-357-000	NUT, HEX., 8 mm.....	4	
• 29	90536-NL9-000	WASHER, RR. AXLE .....	1	
30	91053-MCJ-003	BEARING, RADIAL BALL, 6905 .....	1	STD.
31	91053-MCJ-751	BEARING, NEEDLE, 32 x 42 x 20 .....	1	STD.
32	91071-KV3-005	BEARING, NEEDLE (KOYO).....	1	STD.
33	91071-MCJ-003	BEARING, NEEDLE, 32 x 42 x 37 .....	1	STD.
34	91252-MCF-003	DUST SEAL, 32 x 45 x 5.....	1	STD.
35	91253-MCF-003	DUST SEAL, 32 x 42 x 6.....	1	STD.
36	91262-KV3-831	DUST SEAL, 17 x 24 x 5 (ARAI) .....	2	STD.
37	94101-06700	WASHER, PLAIN 6 mm .....	2	

Block No.

**F-13**  
**SWINGARM**

2010 CBR1000RR



Ref. No.	Part No.	Description	Reqd. No.	Remarks
----------	----------	-------------	-----------	---------

38	94520-45000	CIRCLIP, INTERNAL, 45 mm .....	1	STD.
39	96001-06012-00	BOLT, FLANGE, SH 6 x 12.....	2	
40	96001-06016-07	BOLT, FLANGE, SH, 6 x 16.....	2	

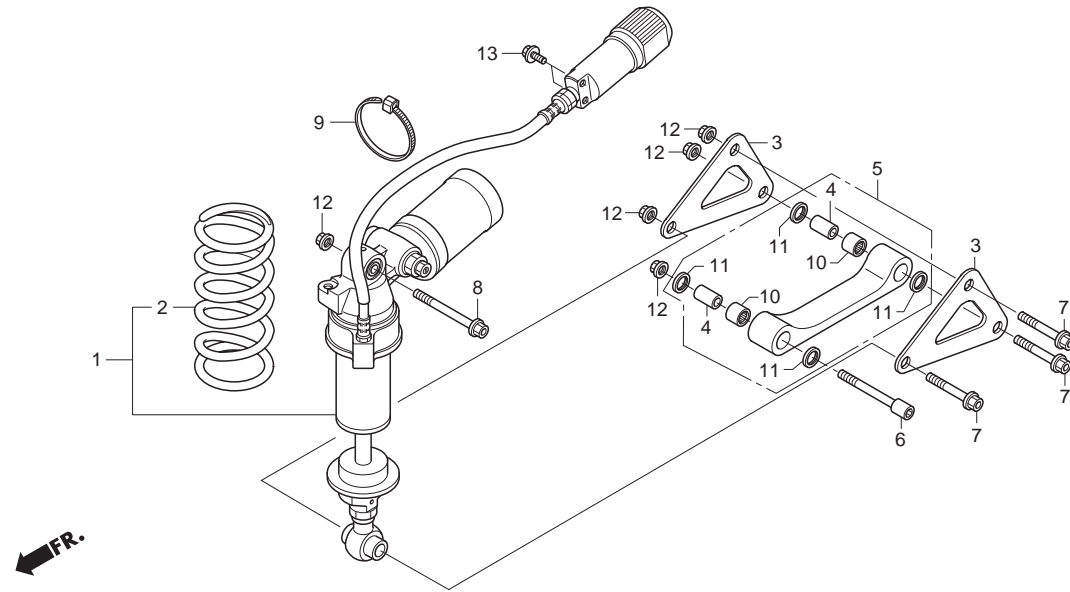


Block No.

**F-14**

**REAR CUSHION**

2010 CBR1000RR



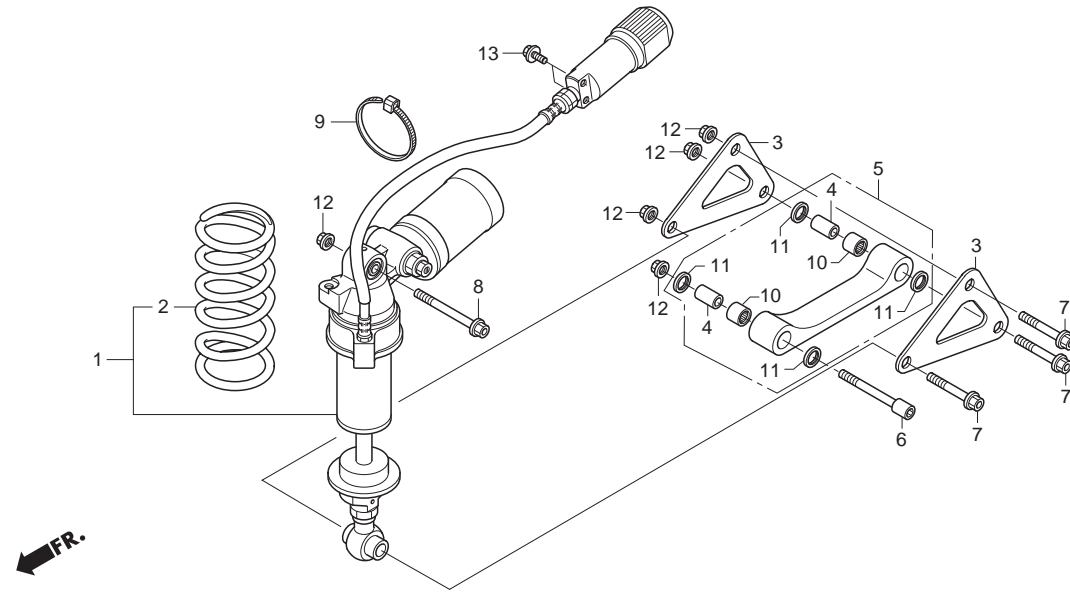
Ref. No.	Part No.	Description	Reqd. No.	Remarks
• 1	52400-MFL-R21	CUSHION ASSY., RR.....	1	
• 2	52401-MEL-R11	SPRING, RR. CUSHION 10.0.....	1	Red paint
•	52401-NL9-901	SPRING, RR. CUSHION 9.5.....	(1)	Blue paint
•	52402-NL9-901	SPRING, RR. CUSHION 10.5.....	(1)	White paint
•	52403-NL9-901	SPRING, RR. CUSHION 11.0.....	(1)	Black paint
•	52404-NL9-901	SPRING, RR. CUSHION 11.5.....	(1)	Green paint
•	52405-NL9-901	SPRING, RR. CUSHION 12.0.....	(1)	Silver paint
3	52461-MFL-000	PLATE, CUSHION ARM.....	2	STD.
•	52461-NLR-B00	PLATE, CUSHION ARM (R1, Fe).....	2	
•	52461-NLR-B10	PLATE, CUSHION ARM (MEL, Fe).....	2	
•	52461-NLR-B20	PLATE, CUSHION ARM (P2, Fe).....	2	
•	52461-NLR-B30	PLATE, CUSHION ARM (P4, Fe).....	2	
4	52463-MAL-G00	COLLAR, CUSHION CONN ROD.....	2	STD.
• 5	52470-MFL-R10	CONN ROD ASSY., CUSHION.....	1	
	52470-NLR-A20	CONN ROD ASSY., CUSHION (MEL).....	1	
	52470-NLR-A30	CONN ROD ASSY., CUSHION (P2).....	1	
	52470-NLR-A40	CONN ROD ASSY., CUSHION (P4).....	1	
6	90107-MFJ-D00	BOLT, SOCKET 10 x 70.....	1	STD.
7	90121-MFL-000	BOLT, FLANGE, DR, 10 x 62.....	3	STD.
8	90132-MEL-000	BOLT, FLANGE, DR, 10 x 75.....	1	STD.
9	90620-SB2-003	BAND, WIRE HARN.....	1	
10	91071-KV3-005	BEARING, NEEDLE (KOYO).....	2	STD.

Block No.

# F-14

## REAR CUSHION

2010 CBR1000RR



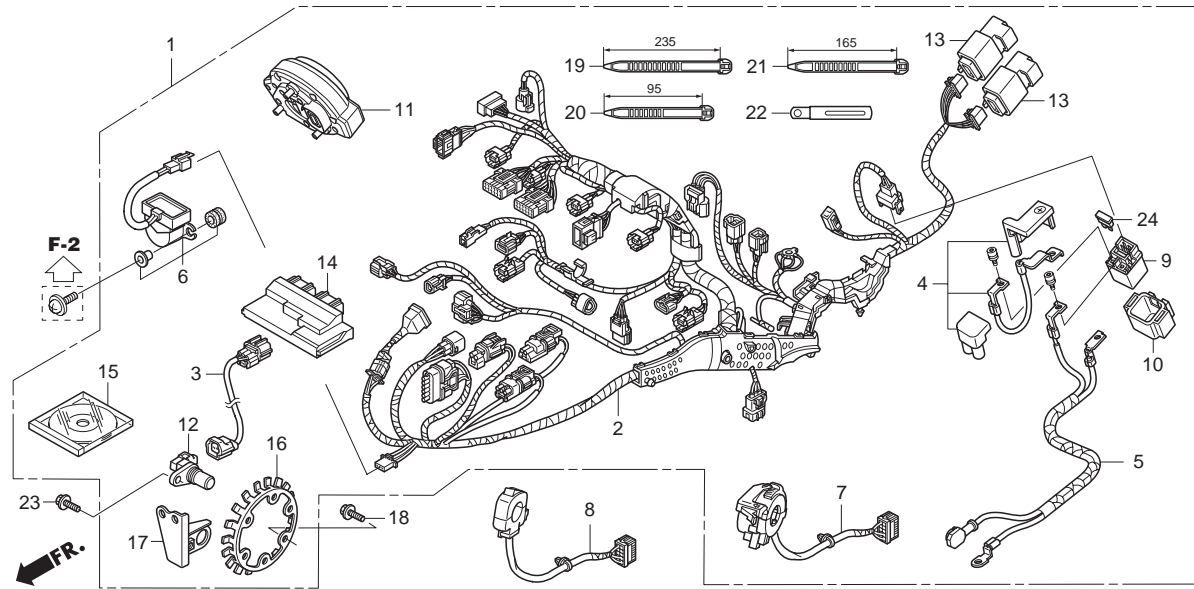
Ref. No.	Part No.	Description	Reqd. No.	Remarks
11	91262-KV3-831	DUST SEAL 17 x 24 x 5 (ARAI) .....	4	STD.
12	94050-10000	NUT, FLANGE, 10 mm .....	5	
13	96001-06012-00	BOLT, FLANGE, SH, 6 x 12 .....	2	

Block No.

**F-15**

**HARNESS SET**

2010 CBR1000RR

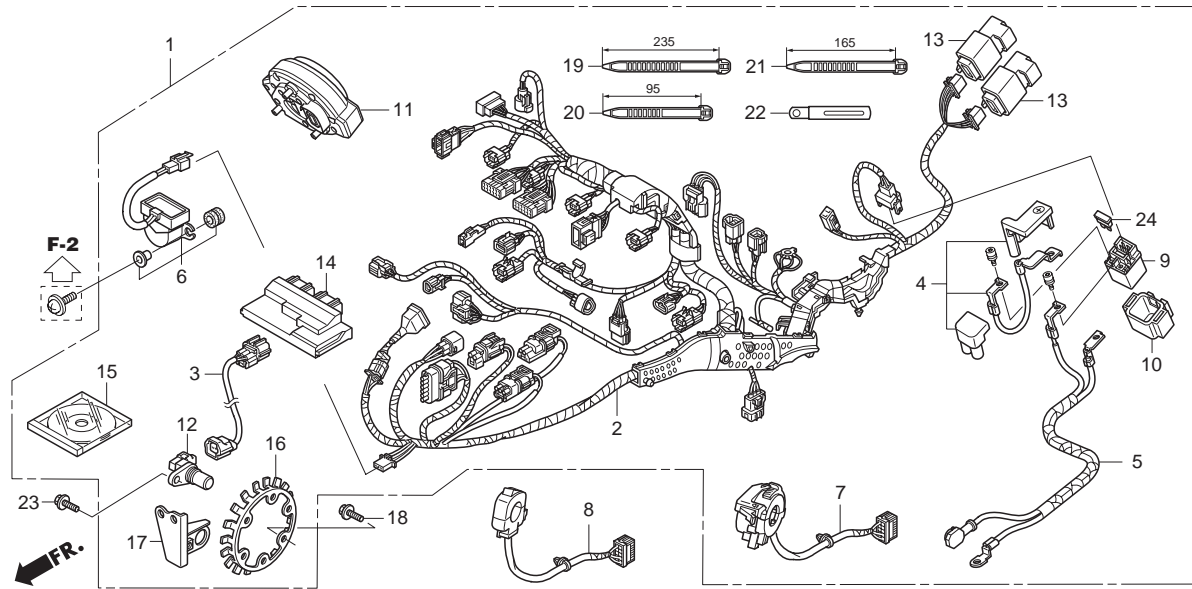


Ref. No.	Part No.	Description	Reqd. No.	Remarks
• 1	06321-NLR-B00	HARNESS SET .....	1	
• 2	32100-MFL-R20	HARNESS WIRE .....	1	
• 3	32170-NLR-A30	SUB CORD, SPEED SENSOR .....	1	
• 4	32401-MFL-R10	CABLE START BAT .....	1	
• 5	32405-MFL-R10	CABLE STARTER & EARTH.....	1	
• 6	35160-MBW -Y02	SENSOR ASSY., BANK ANGLE .....	1	
• 7	35200-MFL-R10	SW. ASSY., TURN SIGNAL .....	1	
• 8	35400-NLR-A30	SW. ASSY., MODE.....	1	
• 9	35850-MR5-007	SW. ASSY., START MAG. ....	1	
• 10	35856-MBG-003	RUBBER, SHOCK .....	1	
• 11	37100-MFL-R20	METER ASSY., COMB .....	1	
• 12	37700-GET-731	SPEED SENSOR FINAL GEAR .....	1	
• 13	38500-GC7-612	RELAY ASSY., START .....	2	
• 14	38770-NLR-B30	UNIT ASSY., PGM-FI/IGN.....	1	
• 15	38771-NLR-B31	CD-ROM, PGM-FI/IGN .....	1	
• 16	44691-NKZ-610	PULSER, FR. WHEEL .....	1	For STD. WHEEL
• 17	44692-NLR-A20	STAY, VFW SENSOR.....	1	For STD. WHEEL, STD. FORK
• 18	90003-MB2-000	BOLT, FLANGE, 6 x 20.....	6	
• 19	90620-SB2-003	BAND, WIRE HARN .....	1	
• 20	90650-KV6-003	BAND, WIRE .....	1	

Block No.

**F-15  
HARNESS SET**

2010 CBR1000RR

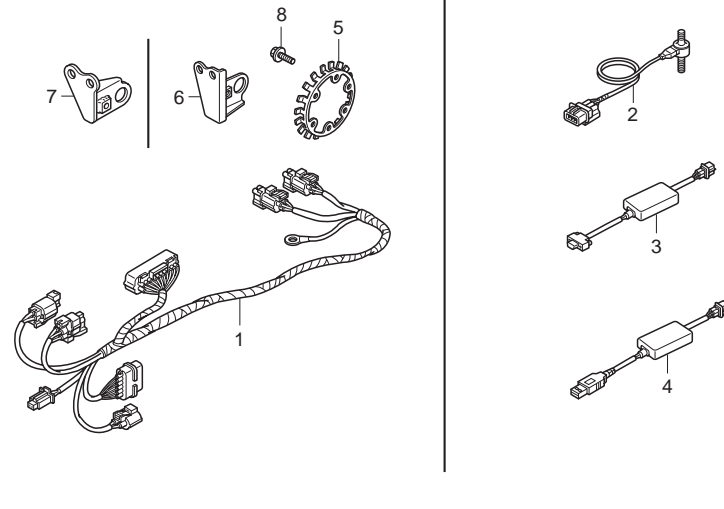


Ref. No.	Part No.	Description	Reqd. No.	Remarks
21	90651-KV6-003	BAND, WIRE .....	2	
22	91405-943-000	CLIP, CORD.....	1	
23	96001-06014-00	BOLT, FLANGE, SH, 6 x 14.....	1	
24	98200-33000	BLADE FUSE 30A .....	1	

Block No.

**F-16**  
**DATALOGGER /**  
**SHIFT FORCE SENSOR**

2010 CBR1000RR

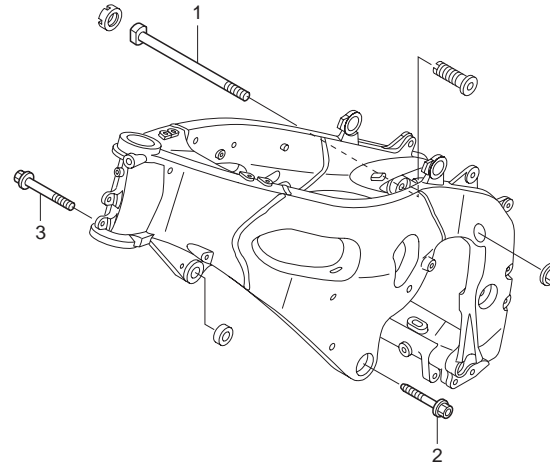


Ref. No.	Part No.	Description	Reqd. No.	Remarks
• 1	32150-NKZ-A00	HARNESS MEASURE CBR1000RR (08).....	1	For HRC DataLogger
• 2	38200-NLR-A30	SENSOR ASSY., SHIFT FORCE.....	1	
• 3	38880-NL3-750	UNIT ASSY., SERIAL I/F.....	1	RC232C type
• 4	38880-NL9-C00	UNIT ASSY., SERIAL I/F (USB).....	1	USB type
• 5	44691-NKZ-000	PULSER, FR. WHEEL.....	1	For NL9 WHEEL
• 6	44692-NLR-A30	STAY, VFW SENSOR.....	1	For NL9 WHEEL, STD. FORK
• 7	44692-NKZ-621	STAY, VFW SENSOR.....	1	For NL9 WHEEL, SHOWA SPL FORK
• 8	90003-MB2-000	BOLT, FLANGE, 6 x 20.....	6	

Block No.

**F-17**  
**ENGINE HANGER BOLT**

2010 CBR1000RR

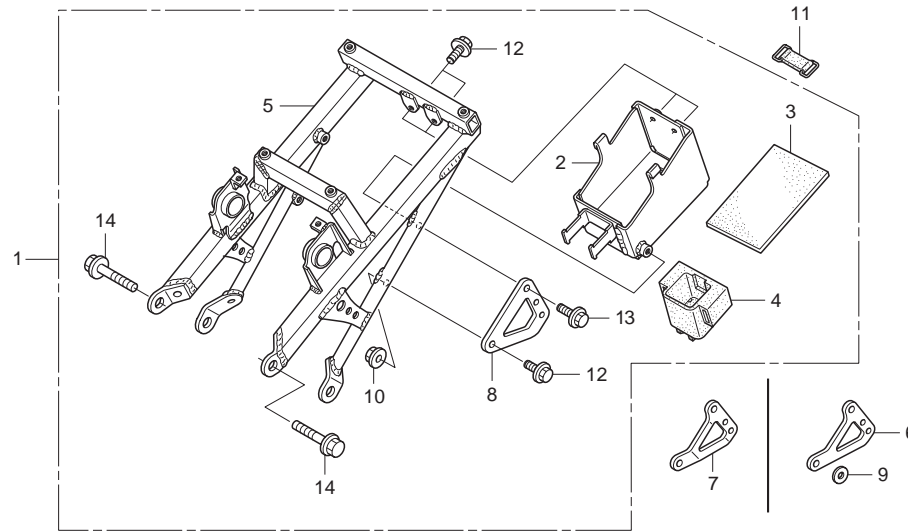


Ref. No.	Part No.	Description	Reqd. No.	Remarks
• 1	90101-NLR-B00	BOLT, SPECIAL, 12 x 261.5 .....	1	TITANIUM, 52100-NLR-B00 (SWINGARM ASSY., RR.) use with set.
• 2	90163-NLR-B00	BOLT, FLANGE DR, 12 x 45.....	1	Fe, Hollow bolt
• 3	90163-MEL-000	BOLT, FLANGE DR, 12 x 50.....	1	Fe, Hollow bolt

Block No.

**F-18**  
**SEAT RAIL SET**

2010 CBR1000RR

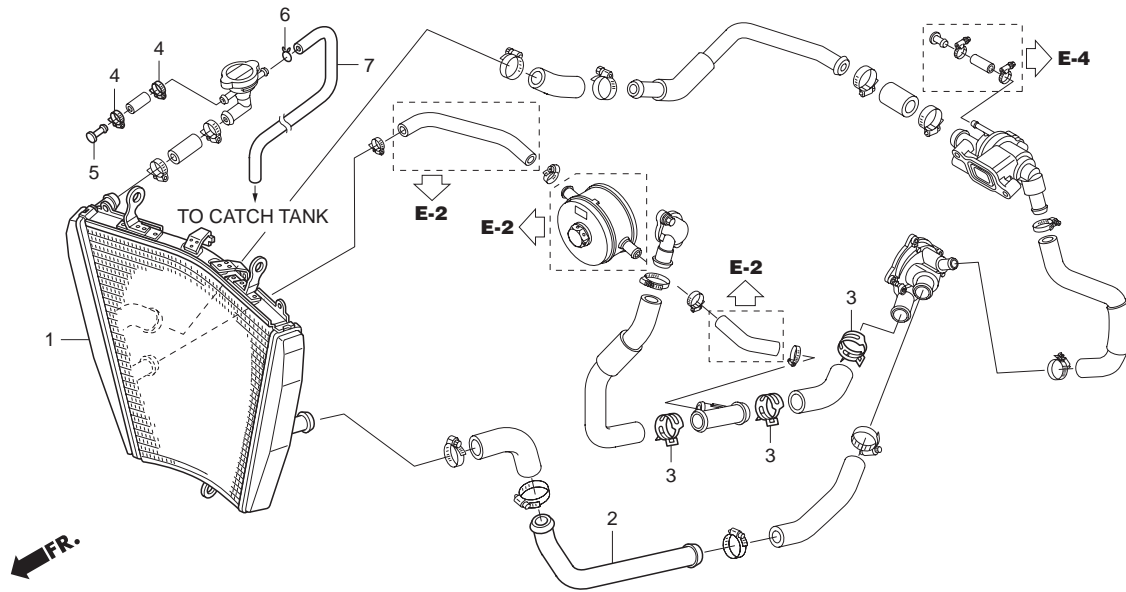


Ref. No.	Part No.	Description	Reqd. No.	Remarks
• 1	06502-NLR-000	SEAT RAIL SET .....	1	
• 2	31510-NLR-000	TRAY COMP., BATTERY.....	1	
• 3	31517-NL9-910	SPONGE, MT 3 mm.....	1	
• 4	35856-KBG-007	RUBBER, SHOCK.....	1	
• 5	50240-NLR-000	SEAT RAIL COMP. ....	1	
• 6	52430-MFL-R10	STAY, RR. CUSH ADJ.....	1	For STD. SEAT RAIL
• 7	52430-NLR-A20	PLATE, RR. CUSH ADJ .....	1	For STD. SEAT RAIL
• 8	52430-NL9-910	PLATE, RR. CUSH ADJ .....	1	For HRC SEAT RAIL
• 9	90471-SB0-000	WASHER, PLAIN 8 mm .....	1	
• 10	94050-06000	NUT, FLANGE, 6 mm .....	2	
• 11	95012-12001	BAND B1, BATTERY .....	1	
• 12	96001-06012-00	BOLT, FLANGE, SH, 6 x 12.....	3	
• 13	96001-06014-00	BOLT, FLANGE, SH, 6 x 14.....	1	
• 14	96300-10020-00	BOLT, FLANGE, DR, 10 x 20.....	2	

Block No.

**F-19**  
**RADIATOR**

2010 CBR1000RR



Ref. No.	Part No.	Description	Reqd. No.	Remarks
• 1	19010-MFL-R21	RADIATOR COMP. ....	1	
• 2	19502-MFL-R10	PIPE, L. RADIATOR ....	1	
• 3	19506-NLR-B30	CLIP, WATER HOSE.....	3	
• 4	19507-MAT-000	CLAMP, RADIATOR HOSE.....	2	
• 5	19511-NL3-650	PLUG, FAST IDLE.....	1	
6	95002-50000	CLIP C9, TUBE .....	1	
7	95003-10100-31	V TUBE 5 x 8 x 1000 .....	1	



## 2010 CBR1000RR PART NO. INDEX

Part No.	Block	Part No.	Block	Part No.	Block	Part No.	Block
00X31-NLR-A20	E- 1	11392-NLR-A30	E- 6	16400-MFL-R11	E- 9	18339-NL9-910	F-12
				16514-NL9-710	E- 8	18357-KA4-710	F- 2
				16711-NLR-000	F- 9	18370-NLR-B00	F-12
						18371-NLR-000	F-12
06110-NLR-A30	E- 1	12191-NLR-A31	E- 1			18371-NLR-A20	F-12
06130-NLR-C30	E- 6	12192-NLR-A31	E- 1			18373-NLR-B00	F-12
06160-NLR-B30	E- 8	12193-NLR-A31	E- 1	17215-NLR-B30	E- 8	18375-NLR-000	F-12
06176-NLR-000	F- 9	12251-NLR-A31	E- 1	17216-NLR-B30	E- 8	18380-NLR-B00	F-12
06180-NLR-A30	E- 2	12252-NLR-A31	E- 1	17217-NLR-B30	E- 8	18380-NLR-B30	F-12
06183-NLR-B00	F-12	12253-NLR-A31	E- 1	17218-NLR-B30	E- 8	18532-634-670	F-10
06183-NLR-B30	F-12	12254-NLR-A31	E- 1	17518-NLR-000	F- 9		
06210-NLR-B30	E- 7			17574-NLR-000	F- 9		
06260-NLR-000	E- 3			17575-NLR-000	F- 9		
06280-NLR-A30	E- 5			17724-102-700	F-11	19010-MFL-R21	F-19
06321-NLR-B00	F-15	14110-MFL-R10	E- 1	17910-NLR-000	F- 1	19051-KA3-830	F-12
06405-NLR-000	F-13	14210-MFL-R10	E- 1	17920-NLR-000	F- 1	19052-MAC-680	F-12
06443-NL9-000	F- 7	14321-NLR-A30	E- 1			19320-MFL-R11	E- 4
06443-NL9-720	F- 7	14751-MFL-R10	E- 1			19502-MFL-R10	F-19
06451-166-405	F- 6	14752-MFL-R10	E- 1			19505-KS6-700	F-10
06502-NLR-000	F-18	14761-MFL-R10	E- 1	18291-NLR-000	F-12		F-11
06531-NL3-750	F- 1			18292-NLR-000	F-12	19506-NLR-B30	F-19
06552-NLR-A30	F-10			18298-NLR-000	F-12	19507-MAT-000	E- 4
				18301-NLR-B00	F-12		F-10
		15150-NLR-000	E- 3	18302-NLR-B00	F-12		F-19
		15161-NLR-000	E- 3	18303-NLR-B00	F-12	19511-NL3-650	E- 4
11211-NLR-000	E- 3	15220-NLR-000	E- 3	18304-NLR-B00	F-12		F-19
11212-NLR-000	E- 3	15611-NF4-900	E- 4	18305-NLR-B00	F-12	19513-NLR-A30	F-10
11213-NLR-000	E- 3	15661-NLR-003	E- 3	18306-NLR-B00	F-12	19526-MFL-R10	E- 2
11217-NLR-000	E- 3	15700-MFL-R11	E- 2	18307-NLR-B00	F-12	19529-MFL-R10	E- 2
11292-NLR-000	E- 3			18315-GAG-750	F-10	19602-NF4-810	F- 2
11321-NLR-A30	E- 6			18336-NL9-000	F-12		
11322-NLR-A30	E- 6			18336-NLR-A30	F-12		

## 2010 CBR1000RR PART NO. INDEX

Part No.	Block	Part No.	Block	Part No.	Block	Part No.	Block
		23454-NLR-B40	E- 7-1	31517-NL9-910	F-18		
22120-MFL-R20	E- 5	23455-NLR-B40	E- 7-1	31910-NLR-A31	E- 1	38200-NLR-A30	F-16
22201-MEL-000	E- 5	23456-NLR-B40	E- 7-1			38500-GC7-612	F-15
22201-NL9-C30	E- 5	23461-NLR-B40	E- 7			38770-NLR-B31	F-15
22201-NLR-A30	E- 5	23462-NLR-B40	E- 7-1			38771-NLR-B30	F-15
22321-MEL-000	E- 5	23463-NLR-B40	E- 7-1	32100-MFL-R20	F-15	38880-NL3-750	F-16
22321-MT3-000	E- 5	23481-NLR-B40	E- 7	32150-NKZ-A00	F-16	38880-NL9-C00	F-16
22322-MEL-000	E- 5	23482-NLR-B40	E- 7-1	32170-NLR-A30	F-15		
22322-MN4-000	E- 5	23483-NLR-B40	E- 7-1	32401-MFL-R10	F-15		
22325-MFL-R20	E- 5	23491-MFL-R10	E- 7	32405-MFL-R10	F-15		
22326-MFL-R10	E- 5	23492-NLR-A30	E- 7-1			40542-NLR-000	F-13
22350-MFL-R20	E- 5	23493-NLR-A30	E- 7-1			40543-NLR-000	F-13
22401-MFL-R20	E- 5	23494-NLR-A30	E- 7-1			40544-NLR-000	F-13
22870-NLR-000	F- 1	23501-MFL-R10	E- 7	35160-MBW-Y02	F-15	40545-NL9-000	F-13
		23502-NLR-A30	E- 7-1	35200-MFL-R10	F-15		
		23503-NLR-A30	E- 7-1	35400-NLR-A30	F-15		
		23504-NLR-A30	E- 7-1	35850-MR5-007	F-15		
23211-MFL-R10	E- 7	23511-MFL-R10	E- 7	35856-KBG-007	F-18	41405-HA7-670	F-13
23212-NLR-A30	E- 7-1	23512-NLR-A30	E- 7-1	35856-MBG-003	F-15		
23213-NLR-A30	E- 7-1	23513-NLR-A30	E- 7-1				
23421-NLR-B40	E- 7	23514-NLR-A30	E- 7-1				
23422-NLR-B40	E- 7-1	23521-MFL-R10	E- 7			42301-NL9-000	F-13
23423-NLR-B40	E- 7-1	23522-NLR-A30	E- 7-1	36140-NLR-B00	E- 1	42302-NL6-700	F-13
23431-NLR-B40	E- 7	23523-NLR-A30	E- 7-1			42304-NL9-C40	F-13
23432-NLR-B40	E- 7-1	23524-NLR-A30	E- 7-1			42305-MEL-R10	F-13
23433-NLR-B40	E- 7-1					42306-MEL-R10	F-13
23441-NLR-B40	E- 7			37100-MFL-R20	F-15	42307-MEL-R10	F-13
23442-NLR-B40	E- 7-1			37244-MM4-000	F- 2	42311-NL9-C40	F- 8
23443-NLR-B40	E- 7-1	31110-NLR-C30	E- 6	37700-GET-731	F-15	42312-NL6-000	F- 8
23451-NLR-B40	E- 7	31120-NLR-A32	E- 6	37700-MFL-R21	E- 7	42314-NLR-000	F-13
23452-NLR-B40	E- 7-1	31510-NLR-000	F-18			42601-NL9-710	F- 8
23453-NLR-B40	E- 7-1	31517-NL9-000	F-10			42609-NL6-000	F- 8

## 2010 CBR1000RR PART NO. INDEX

Part No.	Block	Part No.	Block	Part No.	Block	Part No.	Block
42611-NL9-C40	F- 8	44301-NL9-720	F- 7	45131-166-016	F- 6	51490-MFL-003	F- 3
42621-NL6-000	F- 8	44303-NL9-000	F- 7	45132-166-016	F- 6	51497-MEL-D20	F- 5
42624-NL9-C40	F- 8	44303-NL9-720	F- 7	45133-MA3-006	F- 6	51497-NLR-A30	F- 5
42631-NL9-C40	F- 8	44304-NL9-000	F- 7	45220-MFL-R11	F- 5	51500-MFL-R11	F- 3
42633-NL6-003	F- 8	44304-NL9-720	F- 7	45250-NL9-910	F- 5		
42650-NL9-C40	F- 8	44305-NL9-000	F- 7	45500-NL5-701	F- 5		
42753-ML7-004	F- 7	44306-NL9-720	F- 7	45520-NL5-701	F- 5		
	F- 8	44311-NL9-710	F- 7			52100-MFL-R20	F-13
		44311-NL9-810	F- 7			52100-NLR-B00	F-13
		44311-NL9-910	F- 7			52102-MFL-700	F-13
		44601-NL9-710	F- 7	50240-NLR-000	F-18	52143-MFL-000	F-13
43100-NLR-B01	F- 6	44620-NL9-710	F- 7	50252-GC4-830	E- 2	52144-MFL-000	F-13
43105-NL9-C30	F- 6	44622-NL0-810	F- 7			52157-NL3-650	F-13
43105-NL9-C41	F- 6	44650-NL9-710	F- 7			52157-NL6-700	F-13
43105-NLR-B00	F- 6	44691-NKZ-000	F-16			52170-MFL-010	F-13
43106-NL9-C30	F- 6	44691-NKZ-610	F-15	51400-MFL-R11	F- 3	52171-MFJ-D00	F-13
43106-NL9-C41	F- 6	44692-NKZ-621	F-16	51401-MEL-R31	F- 3	52400-MFL-R21	F-14
43107-MEL-D21	F- 6	44692-NLR-A20	F-15	51401-NL9-711	F- 3	52401-MEL-R11	F-14
43108-MEL-D21	F- 6	44692-NLR-A30	F-16	51401-NL9-901	F- 3	52401-NL9-901	F-14
43110-MEL-R31	F- 6			51402-NL9-711	F- 3	52402-NL9-901	F-14
43110-NLR-000	F- 6			51402-NL9-901	F- 3	52403-NL9-901	F-14
43112-MEL-D21	F- 6			51403-MFL-R11	F- 3	52404-NL9-901	F-14
43121-NL6-700	F- 8	45105-NL3-921	F- 5	51404-MFL-R11	F- 3	52405-NL9-901	F-14
43131-KW3-006	F- 6	45105-NL9-000	F- 5	51406-MEL-R11	F- 3	52430-MFL-R10	F-18
43150-MEL-R31	F- 6	45105-NL9-801	F- 5	51410-MFL-003	F- 3	52430-NL9-910	F-18
43215-KZ4-J41	F- 6	45105-NL9-900	F- 5	51412-MEL-003	F- 3	52430-NLR-A20	F-18
43352-568-003	F- 6	45105-NL9-C00	F- 5	51414-MFL-003	F- 3	52442-KA3-711	F- 3
43353-461-771	F- 6	45106-NL3-921	F- 5	51415-MCF-003	F- 3	52461-MFL-000	F-14
		45111-MAJ-G41	F- 6	51430-MFL-003	F- 3	52461-NLR-B00	F-14
		45120-MFL-R11	F- 5	51447-KA4-711	F- 3	52461-NLR-B10	F-14
		45130-NL9-000	F- 5	51450-MFL-003	F- 3	52461-NLR-B20	F-14
44301-NL6-000	F- 7	45130-NLR-A30	F- 5	51455-MW4-003	F- 3	52461-NLR-B30	F-14

## 2010 CBR1000RR PART NO. INDEX

Part No.	Block	Part No.	Block	Part No.	Block	Part No.	Block
52463-MAL-G00	F-13			90104-GT8-600	F- 5	90526-NL9-000	F- 7
52463-MAL-G00	F-14	84706-163-670	F- 2	90105-MM4-000	F- 9	90526-NL9-720	F- 7
52470-MFL-R10	F-14		F-10	90105-MY9-000	F-13	90535-NL9-720	F- 7
52470-NLR-A20	F-14			90106-NL9-000	F-13	90536-NL9-000	F-13
52470-NLR-A30	F-14			90107-MFJ-D00	F-14	90620-SB2-003	F-14
52470-NLR-A40	F-14			90109-MR7-000	F- 3	90620-SB2-003	F-15
		87000-NL6-000	F- 8	90119-KC5-000	F-13	90650-KV6-003	F-15
		87121-MEL-D20	F-13	90119-NL9-C40	F- 8		F-15
				90120-NL6-300	F- 8	90651-ML0-731	F- 8
53141-MT7-000	F- 1			90121-MFL-000	F-14	90651-NC8-000	F- 2
53160-NL5-701	F- 5			90126-MR7-003	F- 3		
53167-KV3-700	F- 1	89030-NL9-711	E- 6	90130-MCJ-750	F-13		
53168-KV3-701	F- 1			90131-MEL-D20	F- 5		
53700-NLR-003	F- 4			90132-MEL-000	F-14	91051-NL6-000	F- 8
53707-NLR-A00	F- 4			90163-MEL-000	F-17	91052-NL6-003	F- 8
53708-NLR-A00	F- 4	90003-MB2-000	F-15	90163-NLR-B00	F-17	91053-MCJ-003	F-13
53717-NLR-A00	F- 4		F-16	90201-GCC-C50	F-12	91053-MCJ-751	F-13
53718-NLR-A00	F- 4	90003-MC7-000	F- 5	90305-NL6-000	F- 7	91053-NL6-701	F- 8
		90003-NL5-000	E- 2	90305-NL9-720	F- 7	91057-NL9-710	F- 7
		90003-NL9-000	E- 6	90308-NL9-000	F-13	91071-KV3-005	F-13
		90004-492-010	E- 7	90309-357-000	F-13		F-14
55200-NLR-000	F-10	90005-NLR-000	E- 3	90402-MFJ-D01	E- 2	91071-MCJ-003	F-13
55210-NLR-000	F-10	90006-GHB-660	E- 6	90402-NL6-000	E- 7	91252-MCF-003	F-13
55220-NLR-000	F-10	90006-GHB-680	E- 6	90403-KA3-830	F-12	91253-MCF-003	F-13
			E- 3	90471-SB0-000	F-18	91254-MEJ-003	F- 3
		90006-GHB-690	E- 3	90488-425-000	E- 1	91258-GF4-003	F- 3
		90019-N1A-D00	E- 2	90501-NL6-000	F- 8	91262-KV3-831	F-13
64501-NLR-000	F- 2	90029-NLR-A30	E- 6	90503-NL6-000	F- 7		F-14
64503-NLR-000	F- 2	90081-NX4-000	E- 3	90525-030-000	F- 2	91303-KF0-003	E- 1
64503-NLR-A20	F- 2	90082-NL9-710	E- 1		F-10	91313-MB0-003	E- 3
		90101-NL6-000	F- 6	90525-NL9-000	F- 7	91354-MCT-003	E- 2
		90101-NLR-B00	F-17	90525-NL9-720	F- 7	91405-943-000	F-15

## 2010 CBR1000RR PART NO. INDEX

Part No.	Block	Part No.	Block	Part No.	Block	Part No.	Block
		95701-08016-00	F-12				
		95701-08020-00	F-12				
93500-05022-0G	F- 1						
93891-04022-07	F- 2						
93913-25380	F- 2	96001-06012-00	F-12				
			F-13				
			F-14				
			F-18				
94001-06200-0S	F- 2	96001-06014-00	F-15				
94050-04000	F- 2		F-18				
94050-06000	F-12	96001-06016-07	F-13				
	F-18	96001-06018-00	F- 4				
94050-10000	F-14	96001-06020-00	F- 2				
94101-06700	F-13	96001-06022-00	F- 4				
94103-05700	F- 2		F-10				
94109-12000	E- 3	96001-06025-00	F-12				
94109-14000	E- 6	96205-14012	F-11				
94520-45000	F-13	96205-15012	F-11				
		96300-08020-00	F- 2				
		96300-10020-00	F-18				
		96600-06025-00	E- 6				
95002-40850-08	F- 5						
95002-50000	F-19						
95003-10100-31	F-19						
95003-11015-60	F- 5	98200-33000	F-15				
95005-14035-20	F-11						
95005-80900-20	F-10						
95012-12001	F-18						
95701-06016-00	E- 6						
95701-06030-00	E- 3						
95701-06032-00	E- 3						