

MORIWAKI
MD250H
PART'S LIST

MD250HJP-0900XXX



- ・製品は都合により予告無く仕様変更、価格改定を行う場合があります。
- ・部品の希望小売価格には、消費税は含まれておりません。
- ・特殊部品の為、詳細はお問い合わせ下さい。
- ・レースシーズン中には多くの注文が集中し、供給が遅れる場合があります。
「定期交換部品」や「消耗交換部品」は、レースシーズン中に必要と思われる部品は早めにご注文される事をお奨めします。

・ご注文の際は、価格、納期等をお問い合わせ頂きますようお願いいたします。

パーツメーカーの見分け方

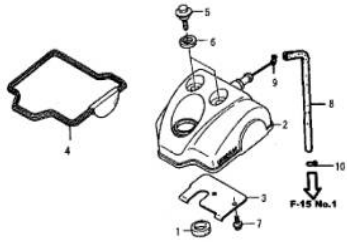
品番の左端に目印をつけております。

「M」 モリワキパーツ

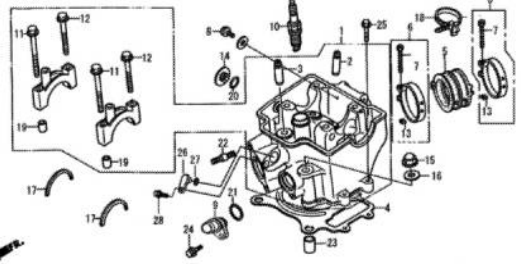
「・」 HRCパーツ

「 」 HONDA純正パーツ

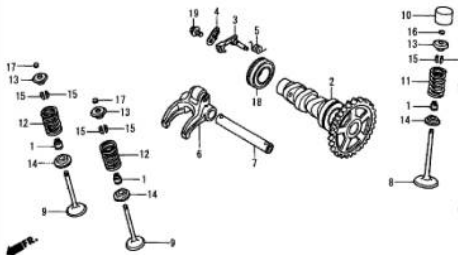
BLOCK No.
E-1
CYLINDER HEAD COVER



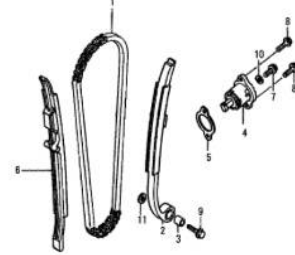
BLOCK No.
E-2
CYLINDER HEAD



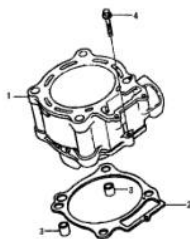
BLOCK No.
E-3
CAMSHAFT/VALVE



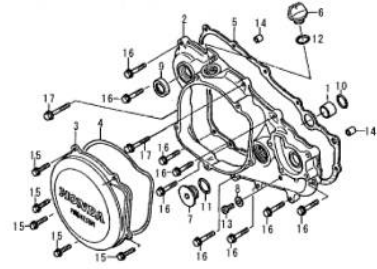
BLOCK No.
E-4
CAM CHAIN/TENSIONER



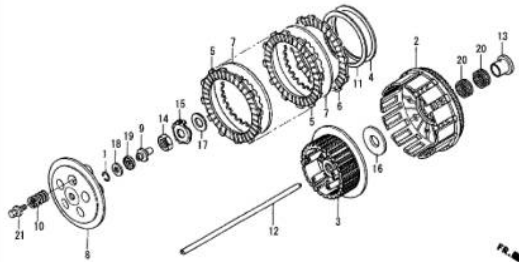
BLOCK No.
E-5
CYLINDER



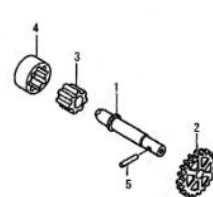
BLOCK No.
E-6
R-CRANKCASE COVER



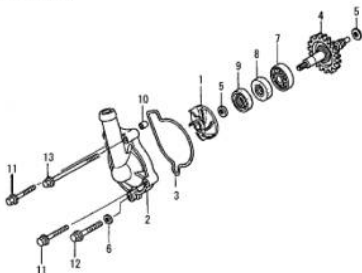
BLOCK No.
E-7
CLUTCH



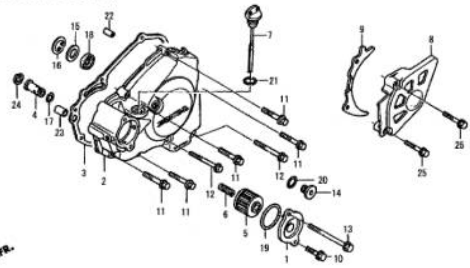
BLOCK No.
E-8
OIL PUMP



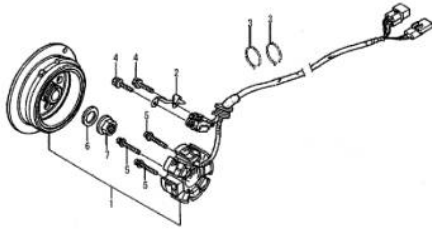
BLOCK No.
E-9
WATER PUMP



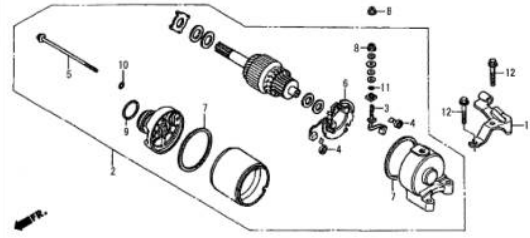
BLOCK No.
E-10
L-CRANKCASE COVER



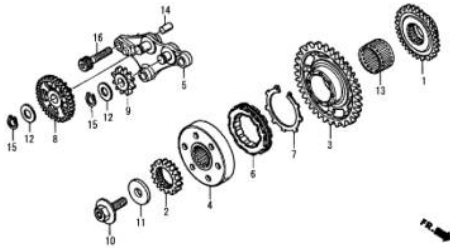
BLOCK No.
E-11
GENERATOR



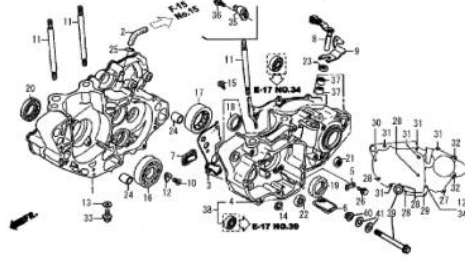
BLOCK No.
E-12
STARTING MOTOR



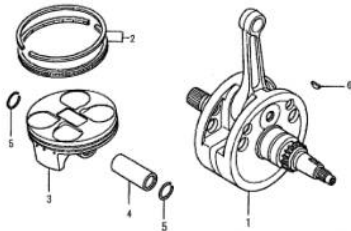
BLOCK No.
E-13
STARTING CLUTCH



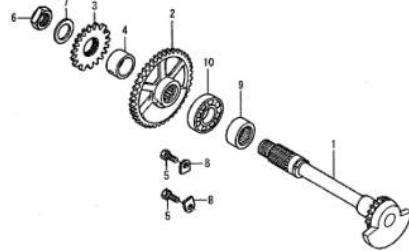
BLOCK No.
E-14
CRANKCASE



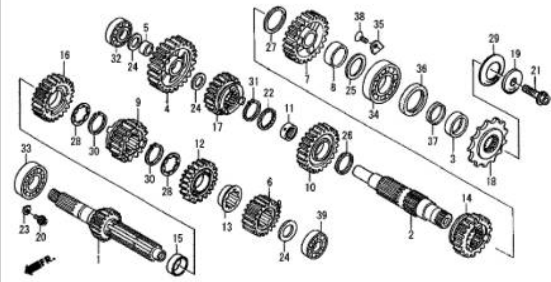
BLOCK No.
E-15
CRANKSHAFT/PISTON



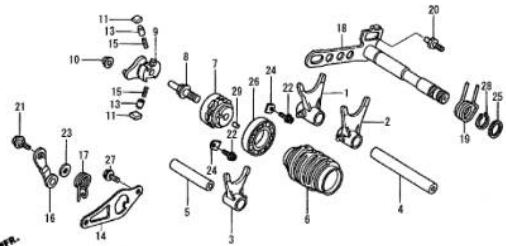
BLOCK No.
E-16
BALANCER



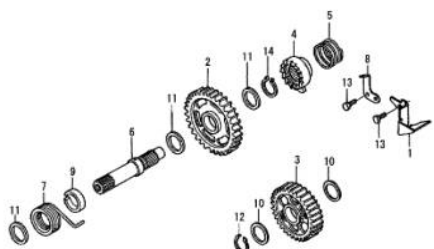
BLOCK No.
E-17
TRANSMISSION



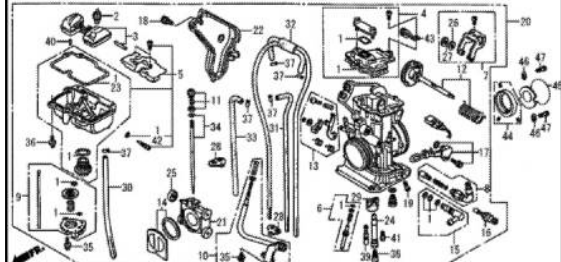
BLOCK No.
E-18
GEARSHIFT DRUM



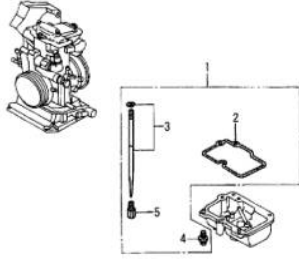
BLOCK No.
E-19
KICK STARTER SPINDLE

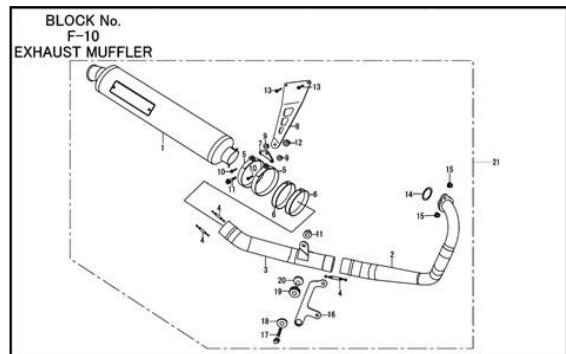
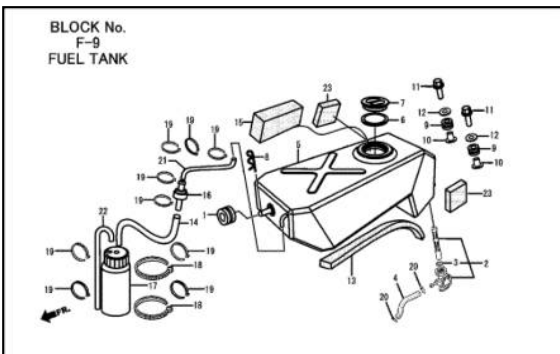
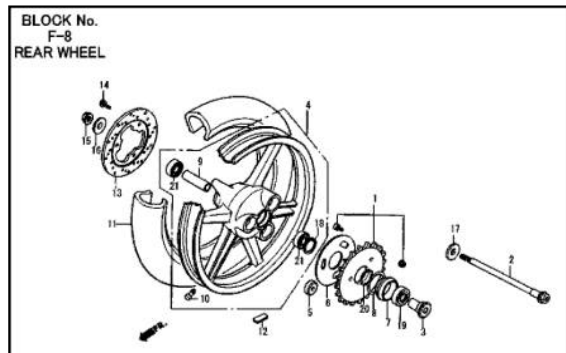
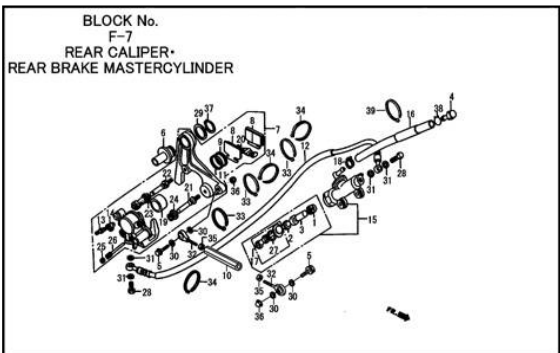
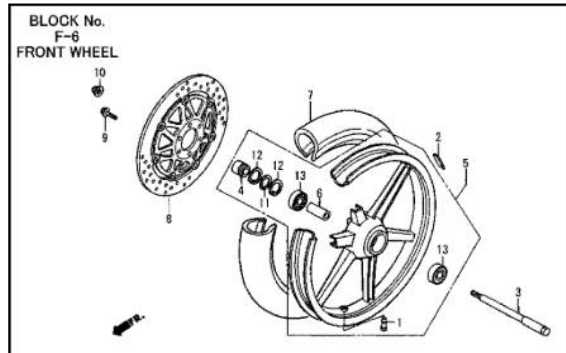
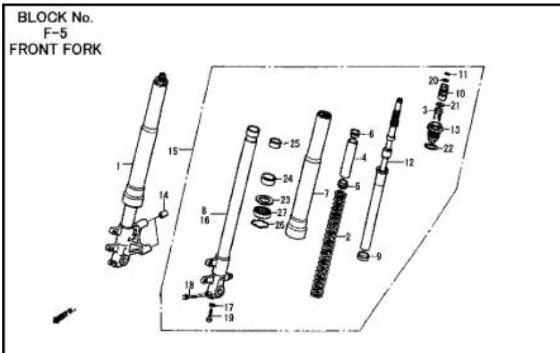
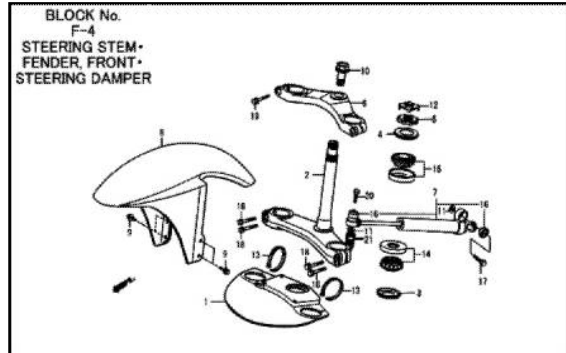
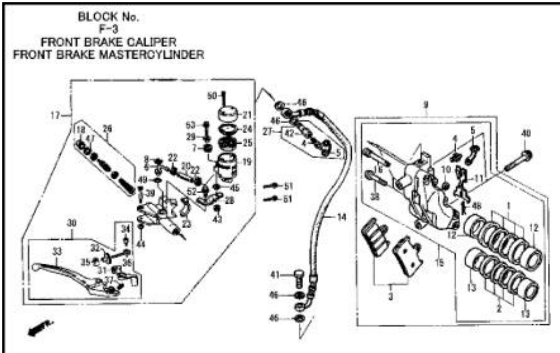
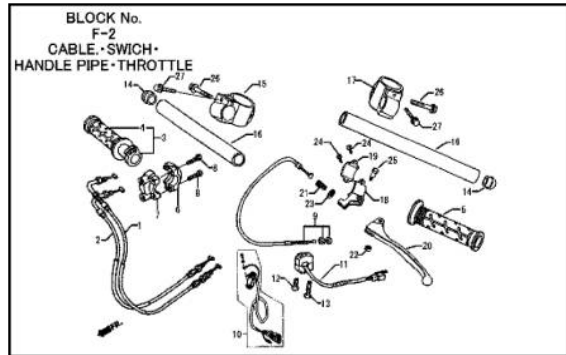
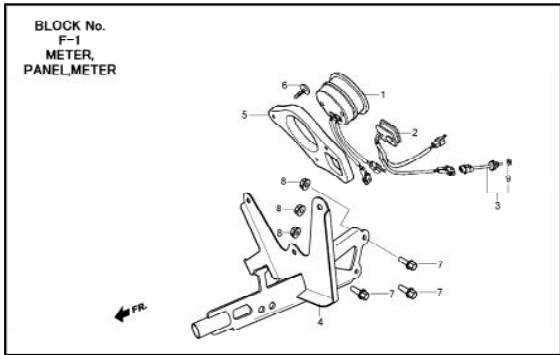


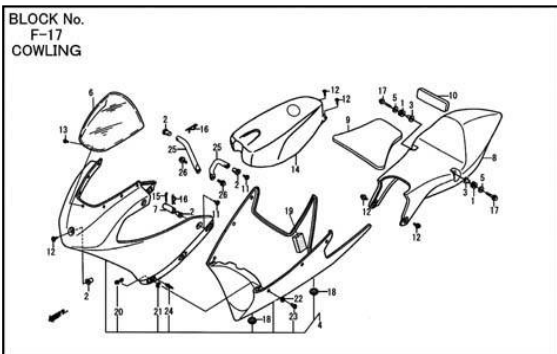
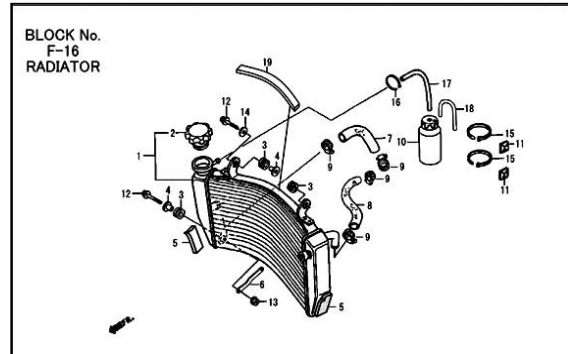
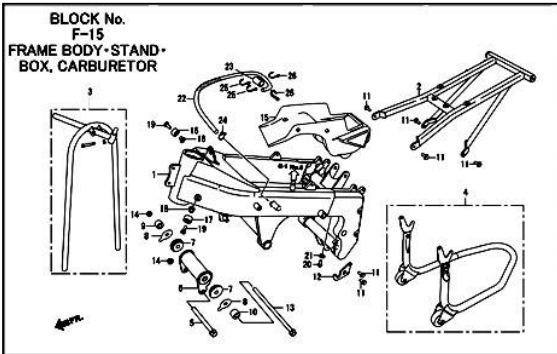
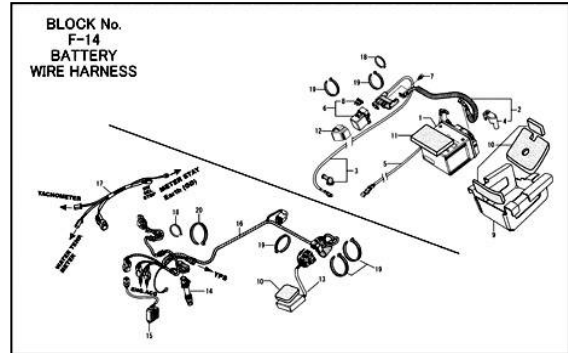
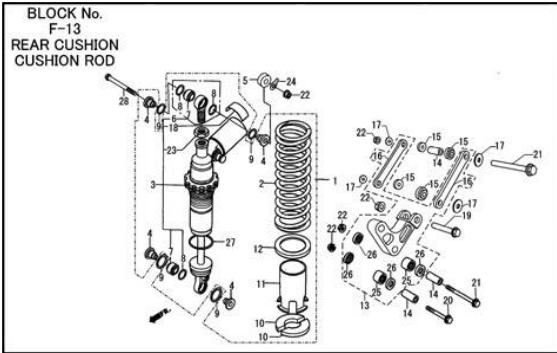
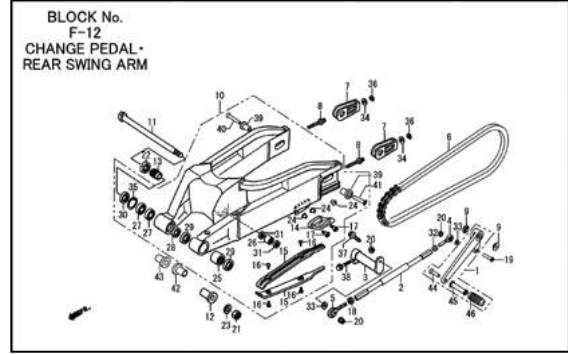
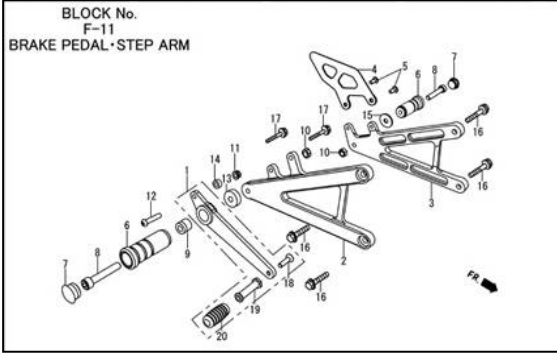
BLOCK No.
E-20
CARBURETOR



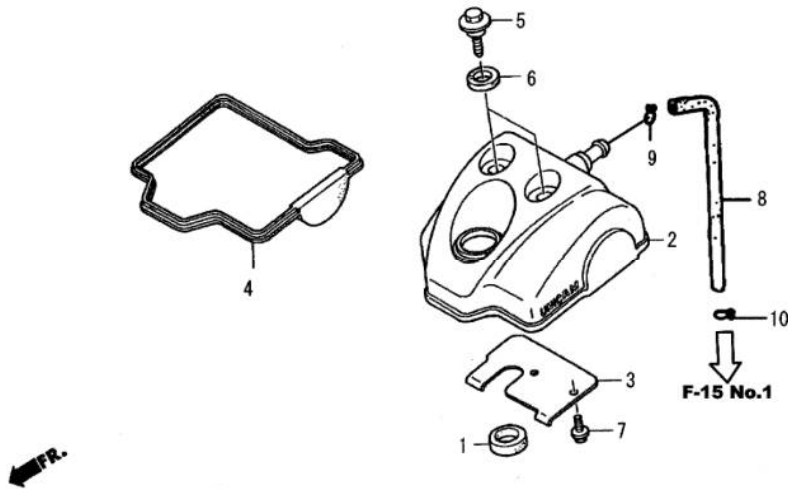
BLOCK No.
E-20-1
CARBURETOR,O,P,KIT





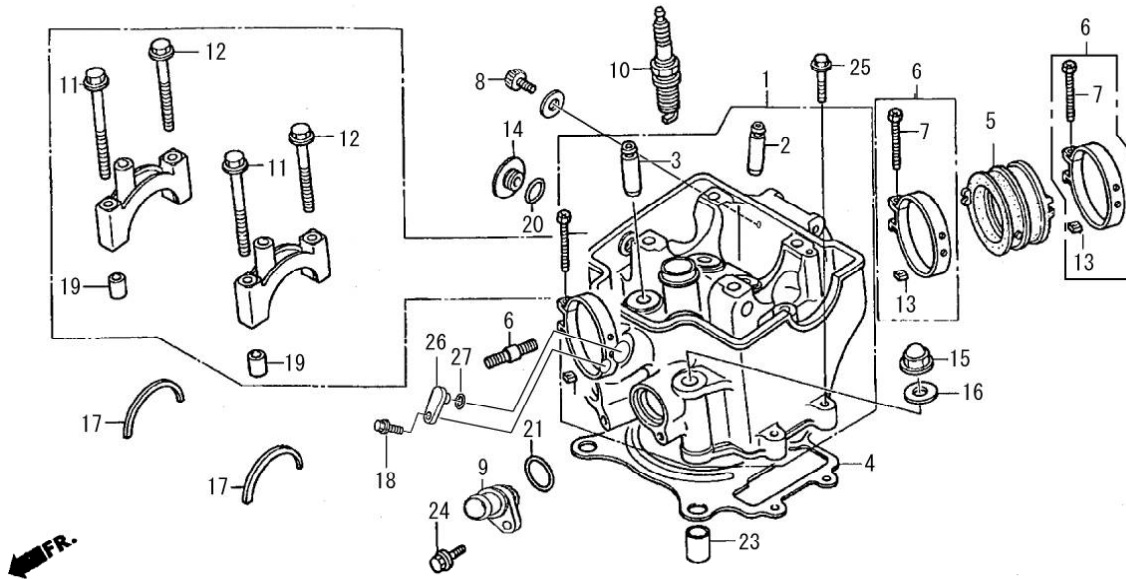


BLOCK No.
E-1
CYLINDER HEAD COVER



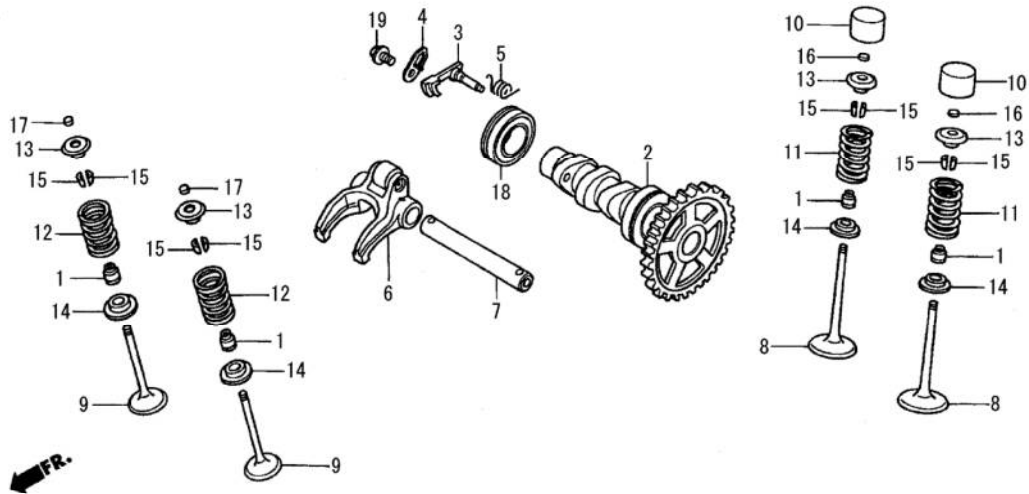
Ref. No.	Part No.	Description	Reqd. QTY	Retail Price
1	12226-MEB-670	SEAL,RING	1	¥255
2	12310-KSC-A30	COVER COMP.,CYLINDER HEAD	1	¥7,650
3	12316-KRN-670	PLATE,BREATHER	1	¥380
4	12391-KRN-670	GASKET,HEAD COVER	1	¥940
5	90017-MY9-790	BOLT,HEAD COVER	2	¥170
6	90543-MV9-670	RUBBER,MOUNTING	2	¥170
7	96300-06012-00	BOLT,FLANGE, 6x12	2	¥40
8	17372-KRN-000	TUBE A,BREATHER	1	¥510
9	15771-551-000	CLIP,OIL DRAIN TUBE	1	¥175
10	95002-02120	CLIP,TUBE (B12)	1	¥35

BLOCK No.
E-2
CYLINDER HEAD



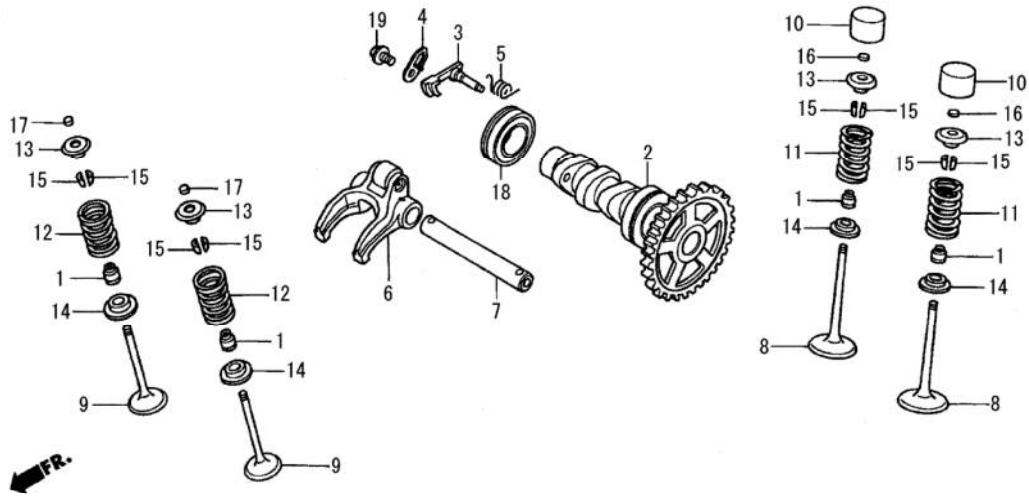
Ref. No.	Part No.	Description	Reqd. QTY	Retail Price
	1	12010-KSC-D10 HEAD ASSY., CYLINDER	1	¥39,000
	2	12204-KRN-P00 GUIDE, IN. VALVE (OS)	2	¥850
	3	12205-KRN-P00 GUIDE, EX. VALVE (OS)	2	¥850
	4	12251-KRN-731 GASKET, CYLINDER HEAD	1	¥1,380
M	5	16211-10512-85 INSULATOR, CABURETOR	1	
	6	16218-MCJ-000 BAND B, INSULATOR	2	¥510
	7	90005-MCJ-000 BOLT, RECESSED, 5x28	2	¥100
M	8	970000-05006 BOLT, CAP 5x6	1	¥50
M	9	19523-10512-00 PIPE, WATER	1	¥4,500
·	10	31910-NL3-871 SPARK PLUG (R0409B-10)	1	¥2,600
	11	90001-KRN-670 BOLT, FLANGE, 7x60	2	¥185
	12	90002-KRN-670 BOLT, FLANGE, 7x50	2	¥185
	13	16222-MV4-300 NUT, SQUARE, 5MM	2	¥95
	14	90084-MEN-670 CAP, 14MM	1	¥640
	15	90232-MB6-680 NUT, CAP, 9MM	4	¥225
	16	90401-KRN-670 WASHER,PLAIN, 9MM	4	¥175
	17	90446-KRN-670 WASHER, CAMSHAFT THRUST	2	¥190
	18	96001-06016-00 BOLT, FLANGE, 6X16	1	¥40
	19	90701-MR7-000 DOWEL PIN, 9x14	2	¥160
	20	91303-377-000 O-RING, 13.8x2.5	1	¥340
	21	91312-KE7-003 O-RING, 19x3 (NOK)	1	¥150
	22	92900-08022-0B BOLT, STUD, 8x22	2	¥50
	23	94301-12200 DOWEL PIN, 12x20	2	¥70
	24	96001-06020-00 BOLT, FLANGE, 6x20	1	¥40
	25	96001-06028-00 BOLT, FLANGE, 6x28	2	¥50
M	26	18640-10512-771 CAP, PLUG	1	¥840
	27	91305-PE2-003 O-RING, 9.8X1.9	1	¥40

BLOCK No.
E-3
CAMSHAFT/VALVE



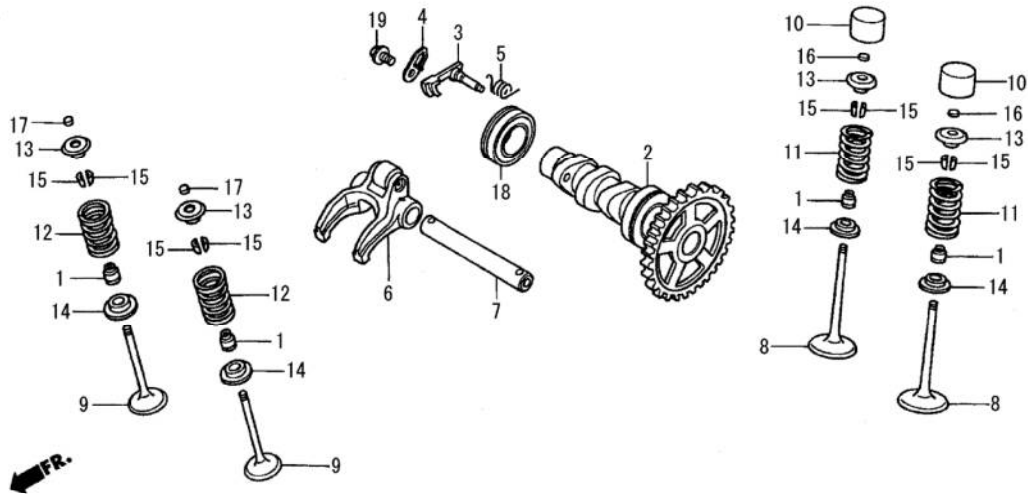
Ref. No.	Part No.	Description	Reqd. QTY	Retail Price
1	12209-GB4-681	SEAL,VALVE STEM (NOK)	4	¥350
2	14100-KSC-670	CAMSHAFT COMP.	1	¥20,100
3	14102-KRN-670	WEIGHT,DECOMPRESSION	1	¥4,300
4	14105-KRN-670	PLATE,WEIGHT SETTING	1	¥320
5	14106-KRN-A00	SPRING,DECOMPRESSION	1	¥170
6	14440-KRN-670	ARM COMP.,EX.ROCKER	1	¥7,550
7	14451-KSC-671	SHAFT,EX.ROCKER ARM	1	¥1,500
8	14711-KRN-670	VALVE,IN.	2	¥5,250
9	14721-KRN-670	VAVE,EX.	2	¥3,030
10	14731-KRN-A00	LIFTER,VALVE	2	¥2,100
11	14751-KRN-670	SPRING,IN.VALVE	2	¥400
12	14761-KRN-671	SPRING,EX.VALVE	2	¥480
13	14771-KRN-A00	RETAINER,VALVE SPRING	4	¥410
14	14775-KRN-670	SEAT,VALVE SPRING	4	¥190
15	14781-MAT-000	COTTER,VALVE	8	¥190
16	14901-KT7-013	SHIM,TAPPET (1.200)	2	¥380
	14902-KT7-013	SHIM,TAPPET (1.225)	2	¥380
	14903-KT7-013	SHIM,TAPPET (1.250)	2	¥380
	14904-KT7-013	SHIM,TAPPET (1.275)	2	¥380
	14905-KT7-013	SHIM,TAPPET (1.300)	2	¥380
	14906-KT7-013	SHIM,TAPPET (1.325)	2	¥380
	14907-KT7-013	SHIM,TAPPET (1.350)	2	¥380
	14908-KT7-013	SHIM,TAPPET (1.375)	2	¥380
	14909-KT7-013	SHIM,TAPPET (1.400)	2	¥380
	14910-KT7-013	SHIM,TAPPET (1.425)	2	¥380
	14911-KT7-013	SHIM,TAPPET (1.450)	2	¥380
	14912-KT7-013	SHIM,TAPPET (1.475)	2	¥380
	14913-KT7-013	SHIM,TAPPET (1.500)	2	¥380
	14914-KT7-013	SHIM,TAPPET (1.525)	2	¥380

BLOCK No.
E-3
CAMSHAFT/VALVE



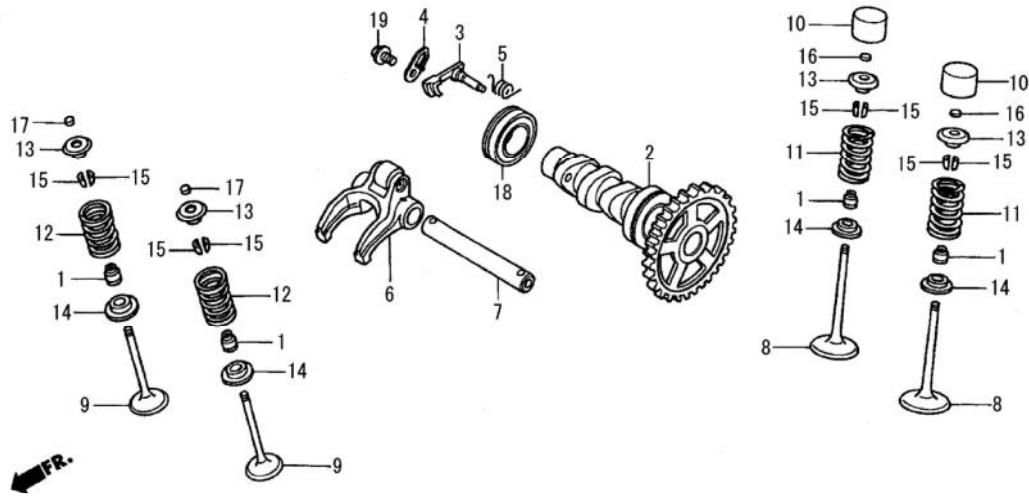
Ref. No.	Part No.	Description	Reqd. QTY	Retail Price
(16)	14915-KT7-013	SHIM,TAPPET (1.550)	2	¥380
	14916-KT7-013	SHIM,TAPPET (1.575)	2	¥380
	14917-KT7-013	SHIM,TAPPET (1.600)	2	¥380
	14918-KT7-013	SHIM,TAPPET (1.625)	2	¥380
	14919-KT7-013	SHIM,TAPPET (1.650)	2	¥380
	14920-KT7-013	SHIM,TAPPET (1.675)	2	¥380
	14921-KT7-013	SHIM,TAPPET (1.700)	2	¥380
	14922-KT7-013	SHIM,TAPPET (1.725)	2	¥380
	14923-KT7-013	SHIM,TAPPET (1.750)	2	¥380
	14924-KT7-013	SHIM,TAPPET (1.775)	2	¥380
	14925-KT7-013	SHIM,TAPPET (1.800)	2	¥380
	14926-KT7-013	SHIM,TAPPET (1.825)	2	¥380
	14927-KT7-013	SHIM,TAPPET (1.850)	2	¥380
	14928-KT7-013	SHIM,TAPPET (1.875)	2	¥380
	14929-KT7-013	SHIM,TAPPET (1.900)	2	¥380
	14930-KT7-013	SHIM,TAPPET (1.925)	2	¥380
	14931-KT7-013	SHIM,TAPPET (1.950)	2	¥380
	14932-KT7-013	SHIM,TAPPET (1.975)	2	¥380
	14933-KT7-013	SHIM,TAPPET (2.000)	2	¥380
	14934-KT7-013	SHIM,TAPPET (2.025)	2	¥380
	14935-KT7-013	SHIM,TAPPET (2.050)	2	¥380
	14936-KT7-013	SHIM,TAPPET (2.075)	2	¥380
	14937-KT7-013	SHIM,TAPPET (2.100)	2	¥380
	14938-KT7-013	SHIM,TAPPET (2.125)	2	¥380
	14939-KT7-013	SHIM,TAPPET (2.150)	2	¥380
	14940-KT7-013	SHIM,TAPPET (2.175)	2	¥380
	14941-KT7-013	SHIM,TAPPET (2.200)	2	¥380
	14942-KT7-013	SHIM,TAPPET (2.225)	2	¥380
	14943-KT7-013	SHIM,TAPPET (2.250)	2	¥380

BLOCK No.
E-3
CAMSHAFT/VALVE



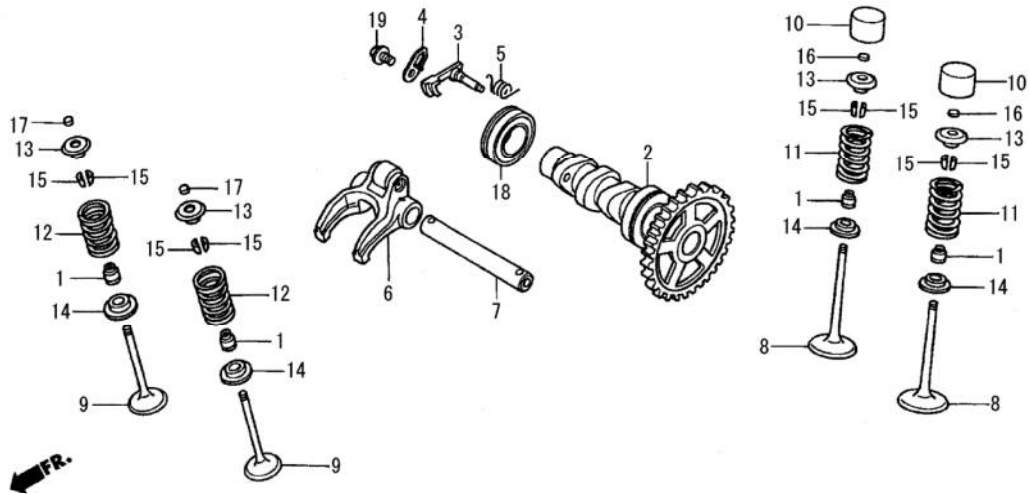
Ref. No.	Part No.	Description	Reqd. QTY	
(16)	14944-KT7-013	SHIM,TAPPET (2.275)	2	¥380
	14945-KT7-013	SHIM,TAPPET (2.300)	2	¥380
	14946-KT7-013	SHIM,TAPPET (2.325)	2	¥380
	14947-KT7-013	SHIM,TAPPET (2.350)	2	¥380
	14948-KT7-013	SHIM,TAPPET (2.375)	2	¥380
	14949-KT7-013	SHIM,TAPPET (2.400)	2	¥380
	14950-KT7-013	SHIM,TAPPET (2.425)	2	¥380
	14951-KT7-013	SHIM,TAPPET (2.450)	2	¥380
	14946-KT7-013	SHIM,TAPPET (2.325)	2	¥380
	14947-KT7-013	SHIM,TAPPET (2.350)	2	¥380
	14948-KT7-013	SHIM,TAPPET (2.375)	2	¥380
	14949-KT7-013	SHIM,TAPPET (2.400)	2	¥380
	14950-KT7-013	SHIM,TAPPET (2.425)	2	¥380
	14951-KT7-013	SHIM,TAPPET (2.450)	2	¥380
17	14901-KT7-013	SHIM,TAPPET (1.200)	2	¥380
	14902-KT7-013	SHIM,TAPPET (1.225)	2	¥380
	14903-KT7-013	SHIM,TAPPET (1.250)	2	¥380
	14904-KT7-013	SHIM,TAPPET (1.275)	2	¥380
	14905-KT7-013	SHIM,TAPPET (1.300)	2	¥380
	14906-KT7-013	SHIM,TAPPET (1.325)	2	¥380
	14907-KT7-013	SHIM,TAPPET (1.350)	2	¥380
	14908-KT7-013	SHIM,TAPPET (1.375)	2	¥380
	14909-KT7-013	SHIM,TAPPET (1.400)	2	¥380
	14910-KT7-013	SHIM,TAPPET (1.425)	2	¥380
	14911-KT7-013	SHIM,TAPPET (1.450)	2	¥380
	14912-KT7-013	SHIM,TAPPET (1.475)	2	¥380
	14913-KT7-013	SHIM,TAPPET (1.500)	2	¥380
	14914-KT7-013	SHIM,TAPPET (1.525)	2	¥380
	14915-KT7-013	SHIM,TAPPET (1.550)	2	¥380

BLOCK No.
E-3
CAMSHAFT/VALVE



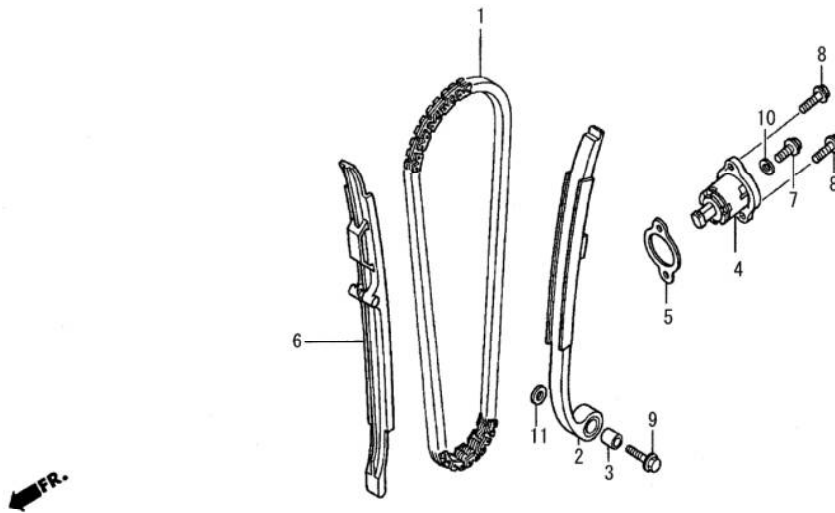
Ref. No.	Part No.	Description	Reqd. QTY	Retail Price
(17)	14916-KT7-013	SHIM,TAPPET (1.575)	2	¥380
	14917-KT7-013	SHIM,TAPPET (1.600)	2	¥380
	14918-KT7-013	SHIM,TAPPET (1.625)	2	¥380
	14919-KT7-013	SHIM,TAPPET (1.650)	2	¥380
	14920-KT7-013	SHIM,TAPPET (1.675)	2	¥380
	14921-KT7-013	SHIM,TAPPET (1.700)	2	¥380
	14922-KT7-013	SHIM,TAPPET (1.725)	2	¥380
	14923-KT7-013	SHIM,TAPPET (1.750)	2	¥380
	14924-KT7-013	SHIM,TAPPET (1.775)	2	¥380
	14925-KT7-013	SHIM,TAPPET (1.800)	2	¥380
	14926-KT7-013	SHIM,TAPPET (1.825)	2	¥380
	14927-KT7-013	SHIM,TAPPET (1.850)	2	¥380
	14928-KT7-013	SHIM,TAPPET (1.875)	2	¥380
	14929-KT7-013	SHIM,TAPPET (1.900)	2	¥380
	14930-KT7-013	SHIM,TAPPET (1.925)	2	¥380
	14931-KT7-013	SHIM,TAPPET (1.950)	2	¥380
	14932-KT7-013	SHIM,TAPPET (1.975)	2	¥380
	14933-KT7-013	SHIM,TAPPET (2.000)	2	¥380
	14934-KT7-013	SHIM,TAPPET (2.025)	2	¥380
	14935-KT7-013	SHIM,TAPPET (2.050)	2	¥380
	14936-KT7-013	SHIM,TAPPET (2.075)	2	¥380
	14937-KT7-013	SHIM,TAPPET (2.100)	2	¥380
	14938-KT7-013	SHIM,TAPPET (2.125)	2	¥380
	14939-KT7-013	SHIM,TAPPET (2.150)	2	¥380
	14940-KT7-013	SHIM,TAPPET (2.175)	2	¥380
	14941-KT7-013	SHIM,TAPPET (2.200)	2	¥380
	14942-KT7-013	SHIM,TAPPET (2.225)	2	¥380
	14943-KT7-013	SHIM,TAPPET (2.250)	2	¥380
	14944-KT7-013	SHIM,TAPPET (2.275)	2	¥380

BLOCK No.
E-3
CAMSHAFT/VALVE



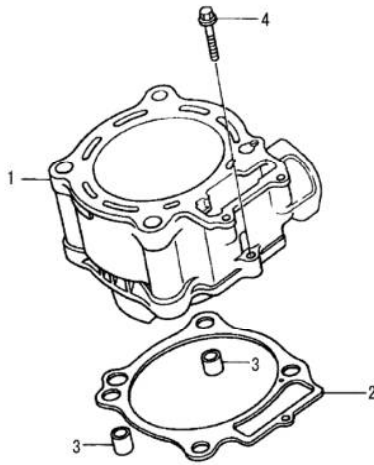
Ref. No.	Part No.	Description	Reqd. QTY	Retail Price
(17)	14945-KT7-013	SHIM,TAPPET (2.300)	2	¥380
	14946-KT7-013	SHIM,TAPPET (2.325)	2	¥380
	14947-KT7-013	SHIM,TAPPET (2.350)	2	¥380
	14948-KT7-013	SHIM,TAPPET (2.375)	2	¥380
	14949-KT7-013	SHIM,TAPPET (2.400)	2	¥380
	14950-KT7-013	SHIM,TAPPET (2.425)	2	¥380
	14951-KT7-013	SHIM,TAPPET (2.450)	2	¥380
	14952-KT7-013	SHIM,TAPPET (2.475)	2	¥380
	14953-KT7-013	SHIM,TAPPET (2.500)	2	¥380
	14954-KT7-013	SHIM,TAPPET (2.525)	2	¥380
	14955-KT7-013	SHIM,TAPPET (2.550)	2	¥380
	14956-KT7-013	SHIM,TAPPET (2.575)	2	¥380
	14957-KT7-013	SHIM,TAPPET (2.600)	2	¥380
	14958-KT7-013	SHIM,TAPPET (2.625)	2	¥380
	14959-KT7-013	SHIM,TAPPET (2.650)	2	¥380
	14960-KT7-013	SHIM,TAPPET (2.675)	2	¥380
	14961-KT7-013	SHIM,TAPPET (2.700)	2	¥380
	14962-KT7-013	SHIM,TAPPET (2.725)	2	¥380
	14963-KT7-013	SHIM,TAPPET (2.750)	2	¥380
	14964-KT7-013	SHIM,TAPPET (2.775)	2	¥380
	14965-KT7-013	SHIM,TAPPET (2.800)	2	¥380
	14966-KT7-013	SHIM,TAPPET (2.825)	2	¥380
	14967-KT7-013	SHIM,TAPPET (2.850)	2	¥380
	14968-KT7-013	SHIM,TAPPET (2.875)	2	¥380
	14969-KT7-013	SHIM,TAPPET (2.900)	2	¥380
18	91007-KRN-671	BEARING,BALL RADIAL,6905	1	¥840
19	96001-06012-00	BOLT,FLANGE, 6x12	1	¥40

BLOCK No.
E-4
CAM CHAIN/TENSIONER



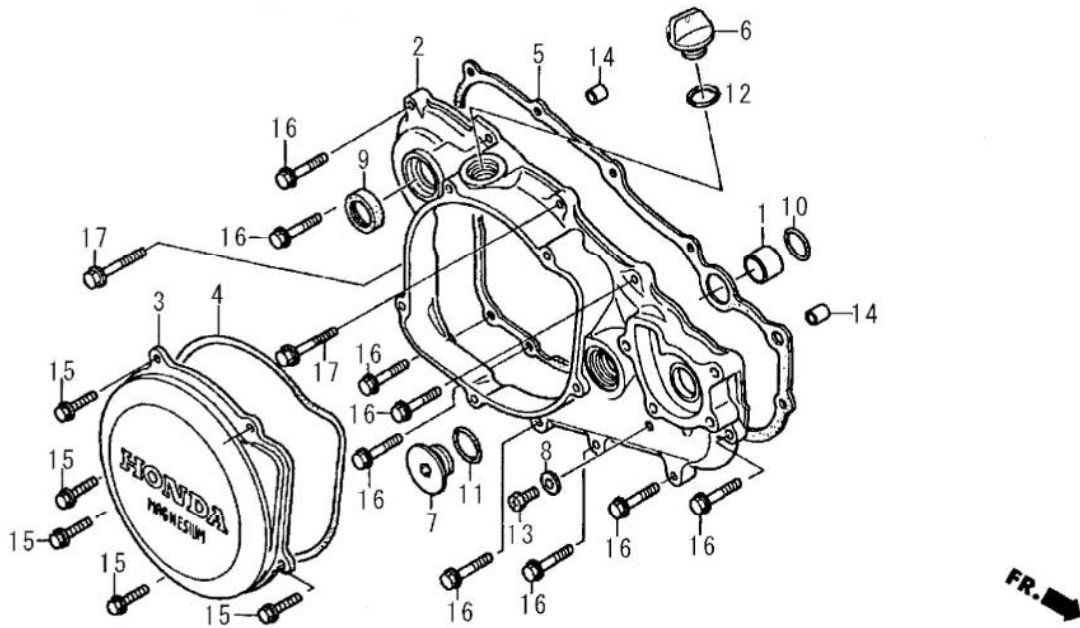
Ref. No.	Part No.	Description	Reqd. QTY	Retail Price
1	14401-KRN-671	CHAIN, CAM (104L)	1	¥3,210
2	14510-KRN-670	TENSIONER COMP., CAM CHAIN	1	¥2,620
3	14515-KF0-000	COLLAR, TENSIONER, 6x9	1	¥225
4	14520-KRN-671	LIFTER ASSY., TENSIONER	1	¥3,660
5	14560-MEN-671	GASKET, TENSIONER LIFTER	1	¥280
6	14620-KRN-670	GUIDE, CAM CHAIN	1	¥1,190
7	90004-GHB-600	BOLT, FLANGE, 6x10 (NSHF)	1	¥115
8	90004-GHB-630	BOLT, FLANGE, 6x16 (NSHF)	2	¥115
9	90088-MEB-670	BOLT, FLANGE, 6x25	1	¥100
10	90442-397-000	WASHER, SEALING, 6MM	1	¥175
11	90581-701-000	WASHER, SPECIAL, 6MM	1	¥65

BLOCK No.
E-5
CYLINDER



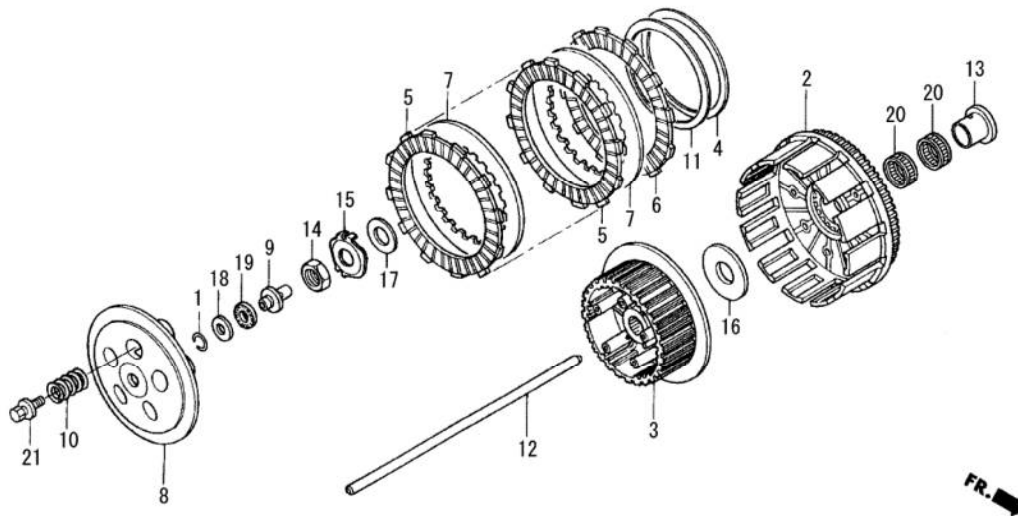
Ref. No.	Part No.	Description	Reqd. QTY	Retail Price
1	12100-KRN-731	CYLINDER	1	¥26,200
2	12191-KRN-731	GASKET,CYLINDER	1	¥610
3	94301-12200	DOWEL PIN, 12x20	2	¥70
4	96001-06028-00	BOLT,FLANGE, 6x28	1	¥50

BLOCK No.
E-6
R-CRANKCASE COVER



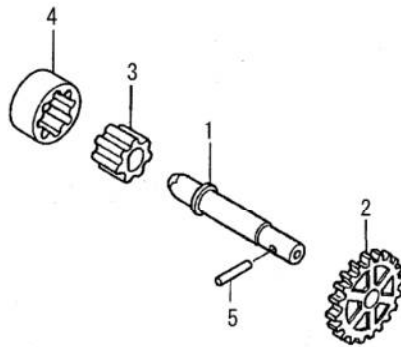
Ref. No.	Part No.	Description	Reqd. QTY	Retail Price
1	11102-KRN-670	COLLAR,WATER PASS, 16MM	1	¥215
2	11331-KSC-670	COVER,R.CRANKCASE	1	¥13,200
3	11351-KSC-A30	COVER,CLUTCH	1	¥4,350
4	11352-KRN-671	GASKET,CLUCH COVER	1	¥490
5	11394-KRN-A00	GASKET,R.COVER	1	¥1,230
M 6	15611-KA3-710W	CAP,OIL FILLER	1	¥660
7	90087-KW3-000	CAP,30MM	1	¥740
8	90463-ML7-000	WASHER,SEALING, 6.5MM	1	¥125
9	91205-KA3-712	OIL SEAL,16.5x25x5 (NOK)	1	¥265
10	91304-MJ0-003	O-RING, 15.8x2.4(SHOWA)	1	¥145
11	91305-KF0-003	O-RING, 27x2(ARAI)	1	¥170
12	91370-461-000	O-RING, 11.9x2.2	1	¥160
M 13	90004-GHB-600W	BOLT,FLANGE, 6x10(NSHF)	1	¥215
14	94301-08140	DOWEL PIN, 8x14	2	¥60
15	96001-06020-00	BOLT,FLANGE, 6x20	5	¥40
16	96001-06028-00	BOLT,FLANGE 6x28	9	¥50
17	96001-06035-00	BOLT,FLANGE, 6x35	2	¥50

BLOCK No.
E-7
CLUTCH



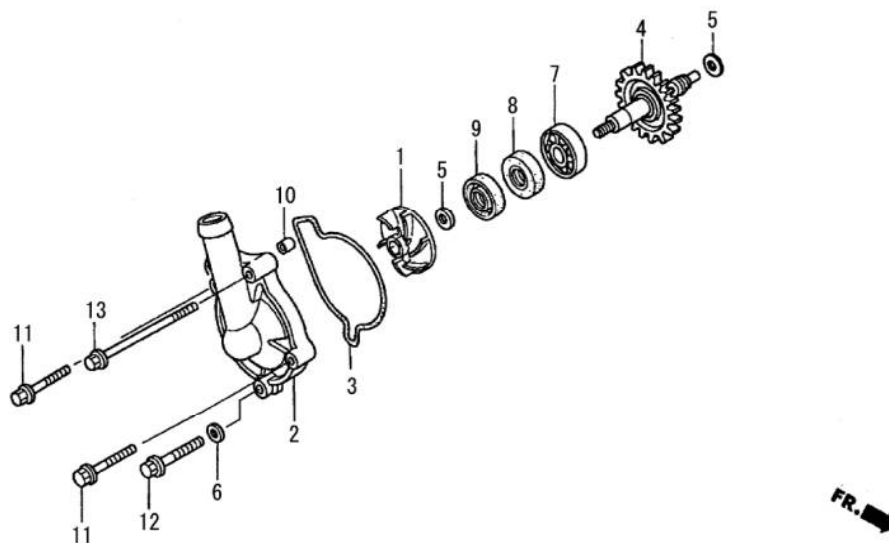
Ref. No.	Part No.	Description	Reqd. QTY	Retail Price
1	13115-147-000	CLIP, PISTON PIN, 10MM	1	¥115
2	22100-KSC-A10	OUTER COMP., CLUTCH	1	¥18,800
3	22120-KRN-A00	CENTER, CLUTCH	1	¥5,350
4	22125-435-000	SEAT, JUDDER SPRING	1	¥350
5	22201-KSC-670	DISK A, CLUTCH FRICTION	7	¥830
6	22202-KSC-670	DISK B, CLUTCH FRICTION	1	¥830
7	22321-KF0-770	PLATE, CLUTCH	7	¥600
8	22351-KRN-A10	PLATE, CLUTCH PRESSURE	1	¥2,820
9	22352-KZ4-A90	PIECE, CLUTCH LIFTER	1	¥1,290
10	22401-KSC-670	SPRING, CLUTCH	5	¥215
11	22402-435-000	SPRING, JUDDER	1	¥1,970
12	22851-KZ3-J20	ROD, CLUTCH LIFTER	1	¥870
13	28237-KSC-670	COLLAR, CLUTCH OUTER	1	¥1,250
14	90235-KA4-000	NUT, 18MM	1	¥400
15	90441-KSC-670	WASHER, LOCK, 18MM	1	¥255
16	90456-KS6-000	WASHER, THRUST, 20MM	1	¥450
17	90501-ML3-910	WASHER, 18x32x2	1	¥185
18	90608-072-000	WASHER, 12MM	1	¥310
19	91001-147-003	BEARING, NEEDLE, 12MM(NTN)	1	¥480
20	91012-P68-003	BEARING, NEEDLE, 27x31x16.8	2	¥430
21	93404-06020-08	BOLT-WASHER, 6x20	5	¥35

BLOCK No.
E-8
OIL PUMP



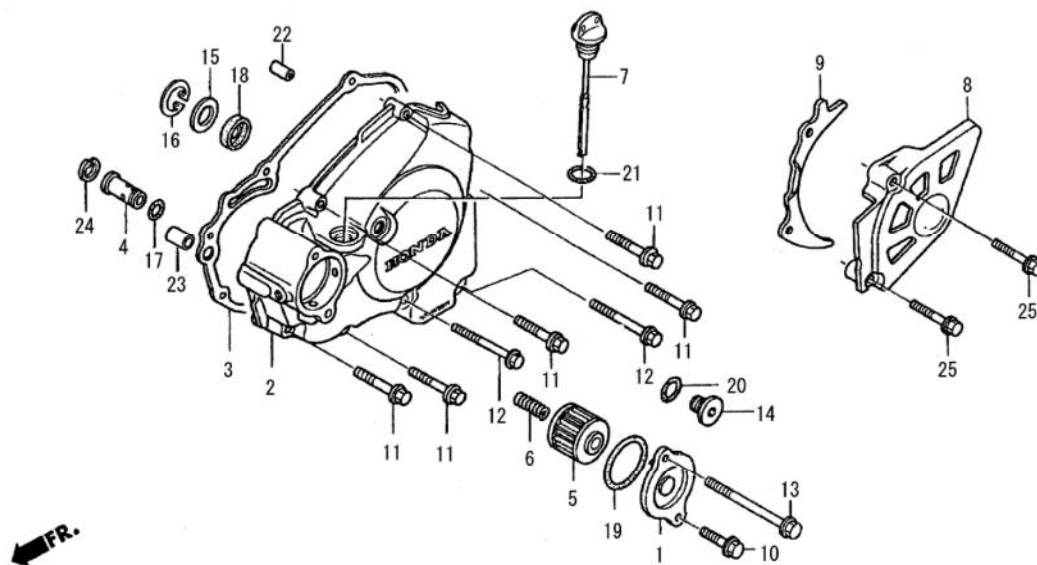
Ref. No.	Part No.	Description	Reqd. QTY	Retail Price
1	15111-KRN-670	SHAFT,OIL PUMP	1	¥1,560
2	15133-KRN-670	GEAR,OIL PUMP DRIVEN (18T)	1	¥1,910
3	15331-324-000	ROTOR,OIL PUMP INNER	1	¥940
4	15332-324-000	ROTOR,OIL PUMP OUTER	1	¥1,200
5	96220-30178	ROLLER, 3x17.8	1	¥15

BLOCK No.
E-9
WATER PUMP



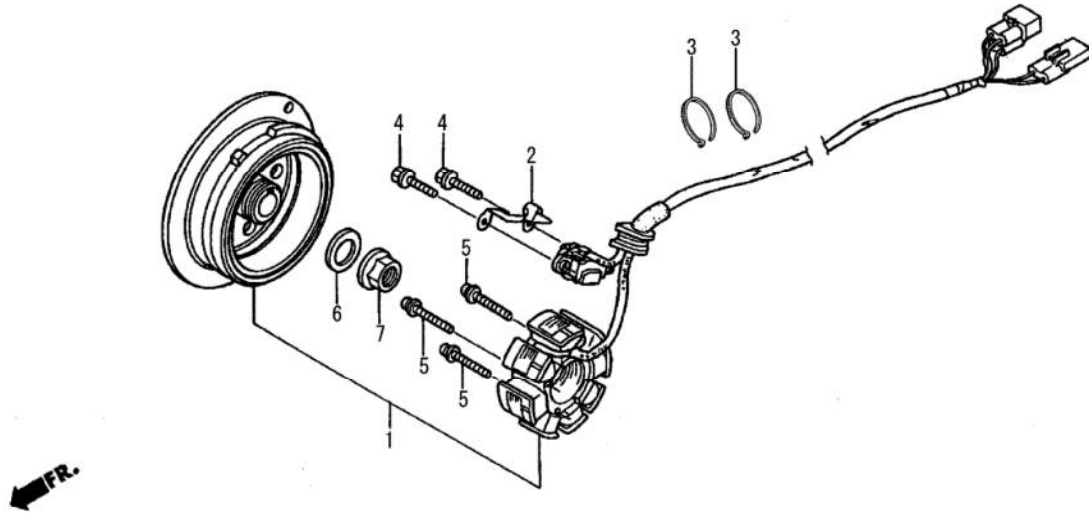
Ref. No.	Part No.	Description	Reqd. QTY	Retail Price
1	19215-KRN-A00	IMPELLER,WATER PUMP	1	¥1,910
2	19221-KRN-A00	COVER,WATER PUMP	1	¥3,480
3	19226-KRN-670	GASKET,WATER PUMP	1	¥265
4	19240-KSC-670	GEAR COMP.,WATER PUMP (22T)	1	¥3,980
5	90447-KE1-000	WASHER,SEALING, 7MM	2	¥125
6	90463-ML7-000	WASHER,SEALING, 6.5MM	1	¥125
7	91001-KA4-003	BEARING,RADIAL BALL, 12x28x7(NTN)	1	¥590
8	91201-148-003	OIL SEAL, 12x22x5(ARAI)	1	¥340
9	91211-KSE-671	SEAL,WATER PUMP	1	¥330
10	94301-08100	DOWEL PIN, 8x10	1	¥60
11	96001-06028-00	BOLT,FLANGE, 6x28	2	¥50
M 12	96001-06028-00W	BOLT,FLANGE, 6x28	1	¥150
13	96001-06085-00	BOLT,FLANGE, 6x85	1	¥60

BLOCK No.
E-10
L..CRANKCASE COVER



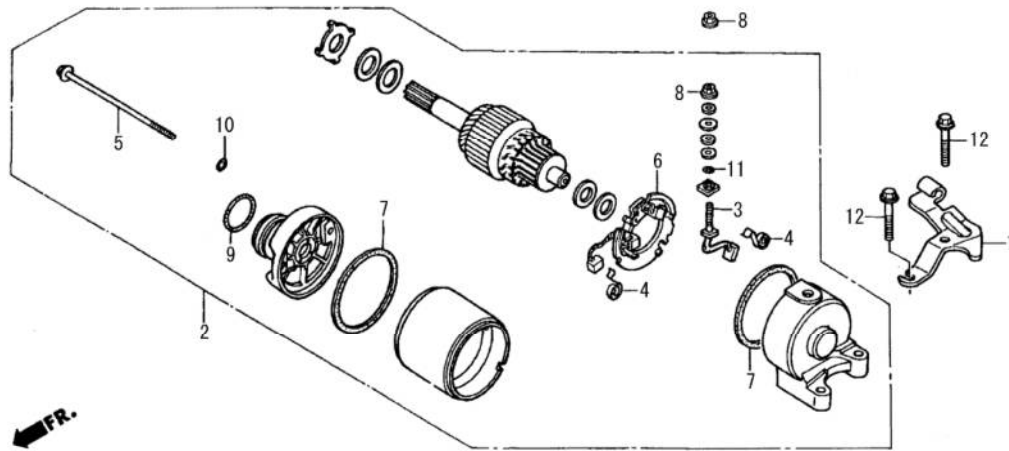
Ref. No.	Part No.	Description	Reqd. QTY	Retail Price
	1	11333-KRN-670 COVER, OIL FILTER	1	¥1,880
	2	11340-KSC-A30 COVER COMP., L.CRANKCASE	1	¥15,000
	3	11395-KRN-671 GASKET, L.COVER	1	¥670
	4	15220-MEB-770 VALVE ASSY., RELIEF	1	¥1,530
	5	15412-MEN-671 FILTER COMP., ENGINE OIL	1	¥770
	6	15414-MEB-670 SPRING, OIL FILTER	1	¥170
M	7	15650-KRN-670W GAUGE, OIL LEVEL	1	¥810
M	8	23810-10512-670 COVER COMP., DRIVE SPROCKET	1	¥3,100
M	9	23812-10512-670 GUIDE, DRIVECHAIN	1	¥2,300
M	10	90004-GHB-630W BOLT, FLANGE, 6x16 (NSHF)	1	¥215
	11	90004-GHB-690 BOLT, FLANGE, 6x32 (NSHF)	5	¥130
	12	90004-GHB-710 BOLT, FLANGE, 6x40 (NSHF)	2	¥140
M	13	90004-GHB-780W BOLT, FLANGE, 6x75 (NSHF)	1	¥285
	14	90084-MEN-670 CAP, 14MM	1	¥640
	15	90451-459-770 WASHER, THRUST, 13MM	1	¥140
	16	90602-MEB-670 CIRCLIP, SPECIAL INTERNAL, 24MM	1	¥255
	17	90751-GK1-003 O-RING, 8.5x1.7	1	¥140
	18	91204-HP1-601 OIL SEAL, 10x21x5	1	¥300
	19	91302-PA9-003 O-RING, 39.8x2.2(ARAI)	1	¥150
	20	91303-377-000 O-RING, 13.8x2.5	1	¥340
	21	91307-035-000 O-RING, 18x3	1	¥235
	22	94301-08140 DOWEL PIN, 8x14	1	¥60
	23	94301-10160 DOWEL PIN, 10x16	1	¥70
	24	94520-14000 CIRCLIP, INTERNAL, 14MM	1	¥30
	25	96001-06030-07 BOLT, FLANGE, 6x30	2	¥50

BLOCK No.
E-11
GENERATOR



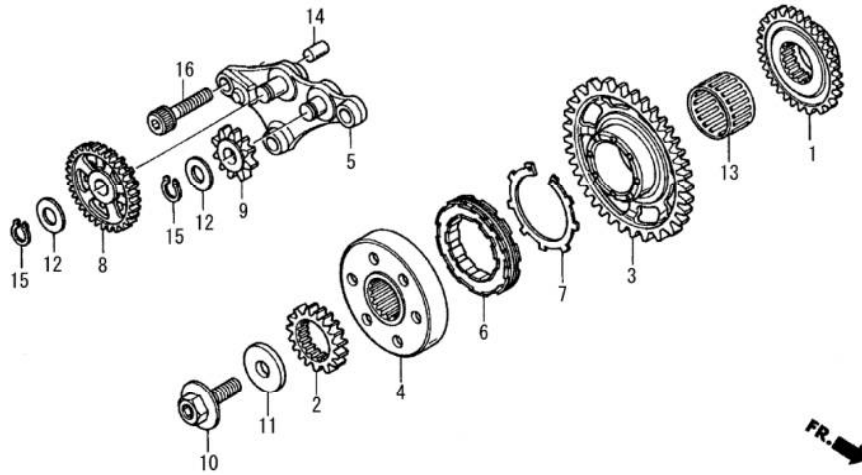
Ref. No.	Part No.	Description	Reqd. QTY	Retail Price
1	31100-KSC-A11	GENERATOR ASSY.,FLYWHEEL TYPE A.C.	1	¥43,000
2	32112-KRN-670	CLAMPER, CORD	1	¥330
3	90650-25100-10	BAND, SELF LOCK 2.5x100 WT	2	¥30
4	90005-896-000	BOLT, FLANGE, 5x16	2	¥55
5	90010-MEB-670	SCREW-WASHER, 4x24	3	¥70
6	90437-611-000	WASHER, PLAIN, 12MM	1	¥1,500
7	94050-12000	NUT, FLANGE, 12MM	1	¥55

BLOCK No.
E-12
STARTING MOTOR



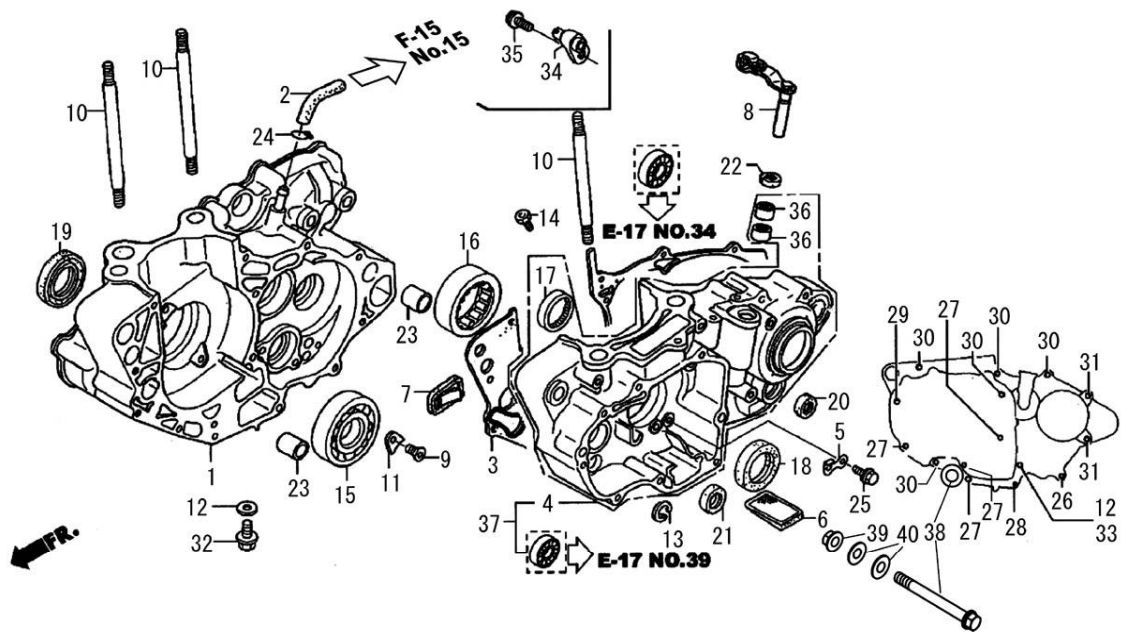
Ref. No.	Part No.	Description	Reqd. QTY	Retail Price
1	22838-KSC-670	RECEIVER,CLUTCH CABLE	1	¥760
2	31200-KSC-671	MOTOR ASSY.,STARTING	1	¥24,300
3	31201-MBE-008	TERMINAL SET,BRUSH	1	¥540
4	31204-KS5-901	SPRING, CABON BRUSH	2	¥181
5	31205-MBE-008	BOLT,SETTING	2	¥180
6	31206-MBE-008	HOLDER SET,BRUSH	1	¥1,130
7	31207-MBE-008	RING	2	¥180
8	90071-MB0-000	NUT-WASHER, 6MM	2	¥145
9	91309-425-003	O-RING, 24.4x3.1(ARAI)	1	¥230
10	91320-MBE-008	O-RING	2	¥125
11	91320-MB0-000	O-RING	1	¥125
12	96001-06028-00	BOLT,FLANGE 6x28	2	¥50

BLOCK No.
E-13
STARTING CLUTCH



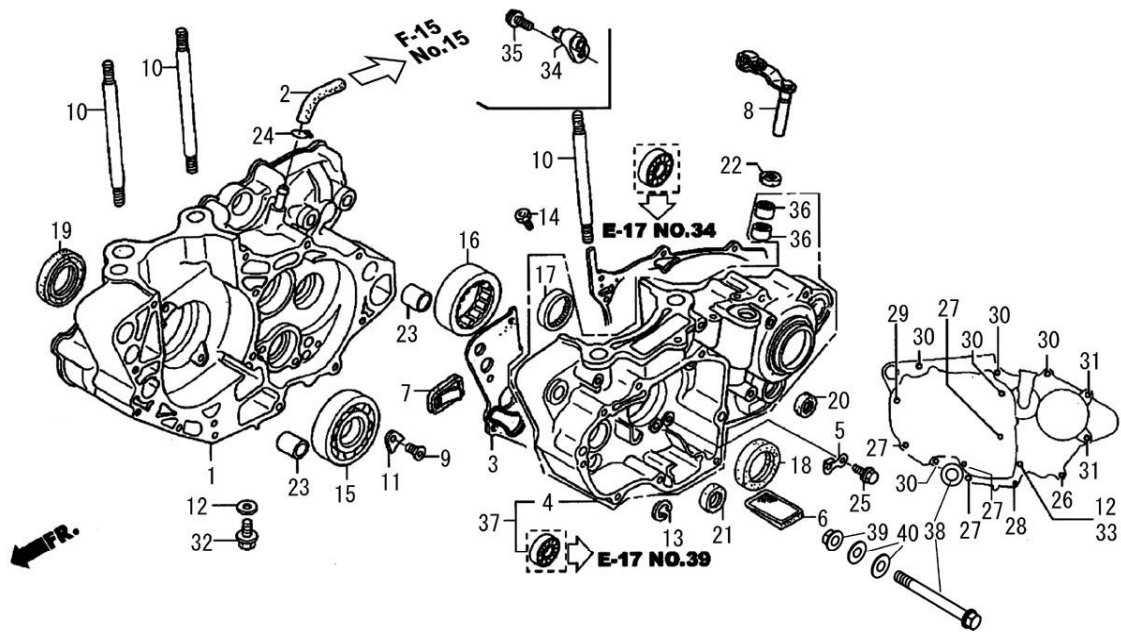
Ref. No.	Part No.	Description	Reqd. QTY	Retail Price
1	13415-KRN-670	GEAR,BALANCER DRIVE (32T)	1	¥4,140
2	23121-KSC-670	GEAR,PRIMARY DRIVE (18T)	1	¥3,410
3	28110-KSC-670	GEAR COMP.,STARTING DRIVEN (38T)	1	¥6,600
4	28115-KSC-670	OUTER,STARTING CLUTCH	1	¥4,110
5	28120-KSC-670	HOLDER COMP.,STARTER GEAR	1	¥9,950
6	28125-MT7-004	CLUTCH, ONE WAY	1	¥4,580
7	28127-MS2-612	RING,FRICITION	1	¥390
8	28131-KSC-670	GEAR,STARTING REDUCTION (53T/10T)	1	¥3,410
9	28141-KSC-670	GEAR,STARTING IDLE (10T)	1	¥2,170
10	90013-MEB-670	BOLT,SPECIAL, 12x28	1	¥450
11	90402-KW6-960	WASHER,PLAIN, 12MM	1	¥450
12	90452-166-600	WASHER,THRUST, 12MM	2	¥160
13	91025-KT7-003	BEARING,NEEDLE, 30x35x20	1	¥840
14	94303-08140	DOWEL PIN, 8x14	1	¥60
15	94510-12000	CIRCLIP,EXTERNAL, 12MM	2	¥30
16	96600-08028-00	BOLT,SOCKET, 8x28	3	¥55

BLOCK No.
E-14
CRANKCASE



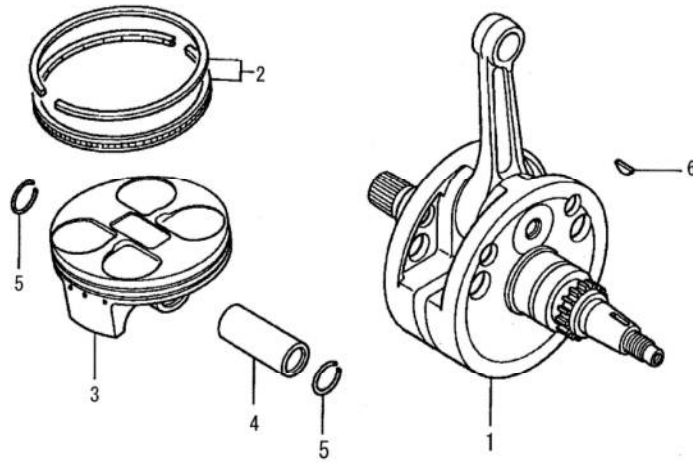
Ref. No.	Part No.	Description	Reqd. QTY	Retail Price
M 1	11100-10512-A20	CRANKCASE COMP., R.	1	¥23,500
2	11105-KSC-670	TUBE A, BREASHER	1	¥160
3	11191-KRN-A10	GASKET, CRANKCASE	1	¥1,000
M 4	11200-10512-A20	CRANKCASE COMP., L.	1	¥26,500
5	11206-KRN-670	PLATE, CAM CHAIN GUIDE	1	¥230
6	15421-KK0-000	SCREEN, OIL FILTER	1	¥410
7	18601-MBW-003	VALVE COMP., REED	1	¥1,130
8	22810-KSC-A10	LEVER COMP., CLUTCH LIFTER	1	¥1,910
9	90001-MEN-850	SCREW, SPECIAL FLAT, 6x17	2	¥130
10	90031-KRN-670	BOLT, STUD, 10x135	4	¥410
11	90441-KRN-670	PLATE, BREARING HOLDER	2	¥215
12	90474-333-000	WASHER, SEALING, 8MM	2	¥150
13	90604-MEB-670	CIRCLIP, SPECIAL, 33MM	1	¥360
14	90901-KSC-A20	ORFICE, #170	1	¥610
15	91001-KRN-671	BEARING, RADIAL BALL, 30x72x16	1	¥1,620
16	91002-KRN-A11	BEARING, SPECIAL ROLLER	1	¥2,900
17	91022-KA4-740	BEARING, SHELL, 33x38x8 (NTN)	1	¥750
18	91201-MEB-671	OIL SEAL, 38x52x7(ARAI)	1	¥1,000
19	91202-MEY-671	OIL SEAL, 39x56x7.5(ARAI)	1	¥1,000
20	91203-KA4-771	OIL SEAL, 14x22x5(NOK)	1	¥310
21	91203-MEB-671	OIL SEAL, 20x33x5(ARAI)	1	¥380
22	91205-MEB-671	OIL SEAL, 12x18x3(ARAI)	1	¥250
23	94301-14200	DOWEL PIN, 14x20	2	¥70
24	95002-02100	CLIP, TUBE (B10)	1	¥35
25	96001-06012-00	BOLT, FLANGE, 6x12	2	¥40

BLOCK No.
E-14
CRANKCASE



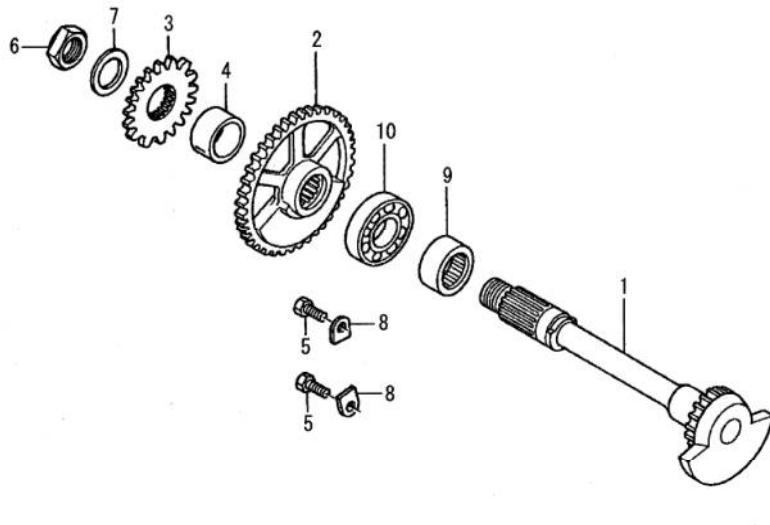
Ref. No.	Part No.	Description	Reqd. QTY	Retail Price
	26	96001-06040-00 BOLT, FLANGE, 6x40	1	¥50
	27	96001-06045-00 BOLT, FLANGE, 6x45	4	¥55
M	28	96001-06045-00W BOLT, FLANGE, 6x45	1	¥155
	29	96001-06060-00 BOLT, FLANGE, 6x60	1	¥55
	30	96001-06070-00 BOLT, FLANGE, 6x70	5	¥60
	31	96001-06075-00 BOLT, FLANGE, 6x75	2	¥60
M	32	96300-08025-00W BOLT, FLANGE, 8x25	1	¥155
M	33	96300-08070-00W BOLT, FLANGE, 8x70	1	¥170
	34	11210-KRN-730 JET COMP., PISTON, #80	1	¥1,480
	35	96001-06012-00 BOLT, FLANGE, 6x12	1	¥40
	36	91053-719-005 BEARING, NEEDLE, 12x16x10(NTN)	2	¥870
	37	11200-KSC-316 CRANKCASE SET, L.	1	¥25,800
M	38	9170-10125-1610 BOLT, FLANGE, 10x125	1	¥450
	39	90304-GA6-003 NUT, FLANGE, 10	1	¥175
M	40	94103-10026-90 WASHER, 10	2	¥135

BLOCK No.
E-15
CRANKSHAFT/PISTON



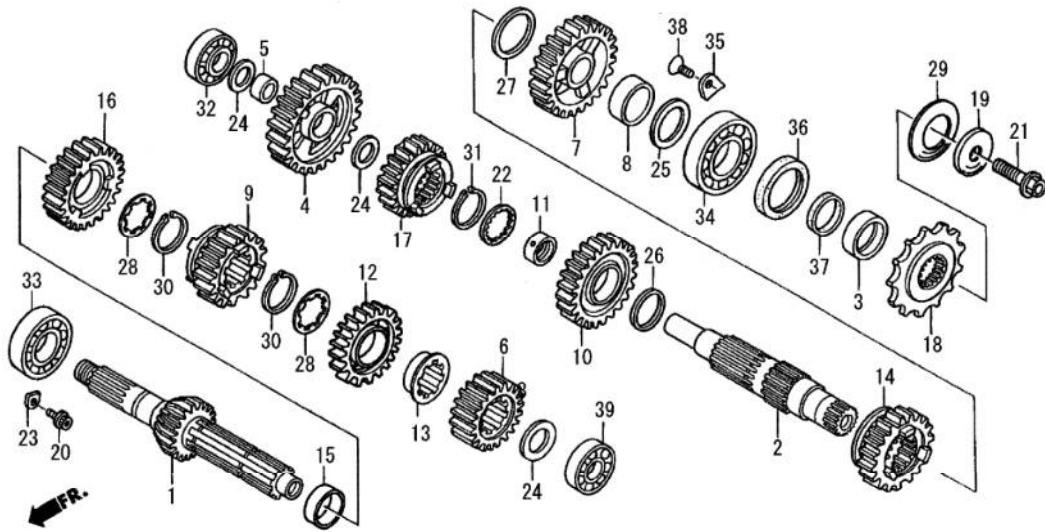
Ref. No.	Part No.	Description	Reqd. QTY	Retail Price
1	13000-KSC-A10	CRANKSHAFT COMP.	1	¥30,600
2	13011-KRN-850	RING SET,PISTON (STD.)	1	¥3,280
3	13101-KRN-850	PISTON	1	¥5,050
4	13111-KRN-850	PIN,PISTON	1	¥1,380
5	13115-KM7-700	CLIP,PISTON PIN, 16MM	2	¥110
6	13331-360-000	KEY,SPECIAL WOODRUFF, 25x14	1	¥255

BLOCK No.
E-16
BALANCER



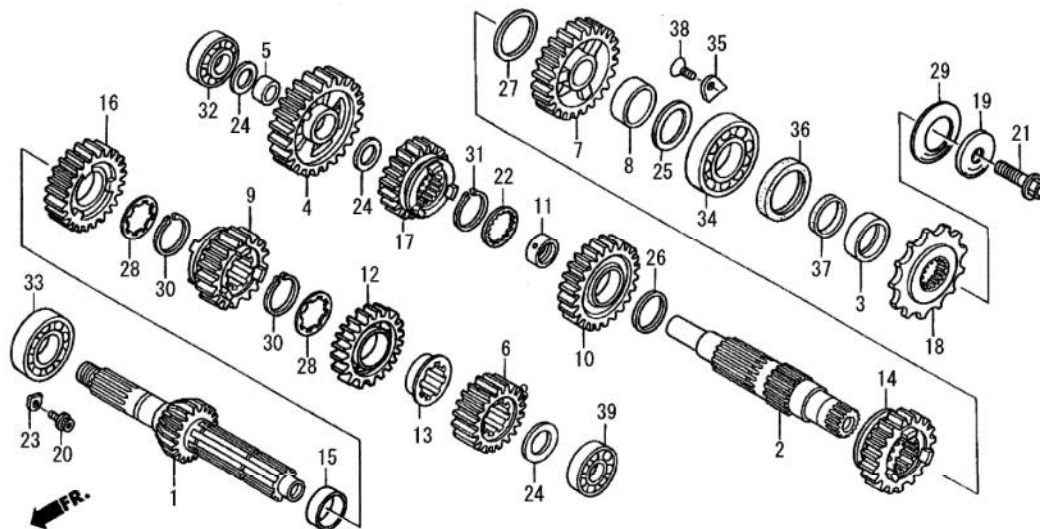
Ref. No.	Part No.	Description	Reqd. QTY	Retail Price
1	13420-KSC-A10	SHAFT COMP.,BALANCER	1	¥11,300
2	13422-KRN-A00	GEAR,BALANCER DRIVEN (32T)	1	¥3,310
3	19245-KRN-671	GEAR,WATER PUMP DRIVE (19T)	1	¥1,880
4	19246-KSC-670	COLLAR,WATER PUMP GEAR	1	¥490
5	90038-KY4-900	BOLT,HEX., 6x16	2	¥110
6	90204-MN5-000	NUT,HEX., 14MM	1	¥280
7	90433-KE1-000	WASHER, 14MM	1	¥170
8	90441-KA4-700	PLATE,BEARING HOLDER	2	¥175
9	91004-MEB-671	BEARING, SPECIAL ROLLER, 20x32x14	1	¥710
10	91005-MEB-671	BEARING, RADIAL BALL, TMB 6003	1	¥520

BLOCK No.
E-17
TRANSMISSION



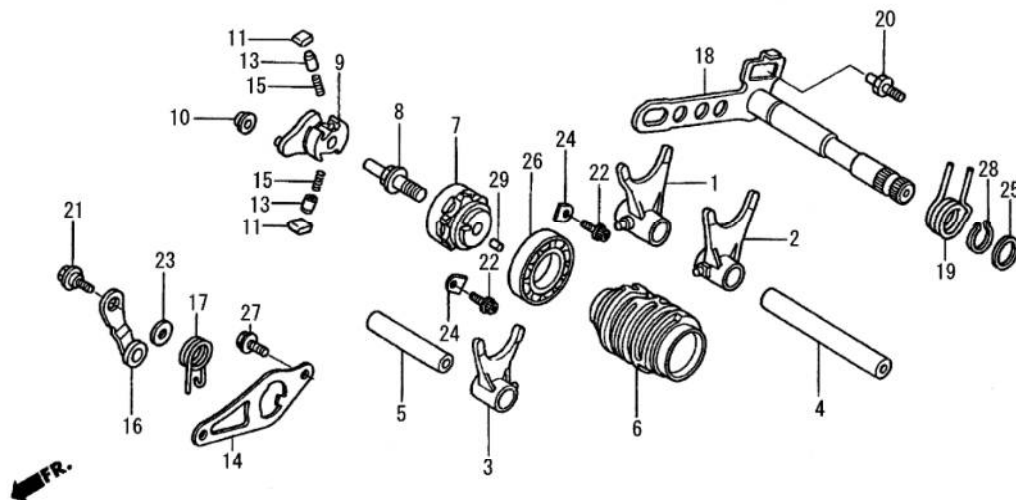
Ref. No.	Part No.	Description	Reqd. QTY	Retail Price	
1	23210-KSC-A10	SHAFT COMP.,MAIN (13T)	1	¥9,500	
2	23221-KSC-A10	COUNTERSHAFT COMP.	1	¥8,650	
3	23225-KSC-670	COLLAR,COUNTERSHAFT	1	¥830	
4	23411-KSC-670	GEAR,COUNTERSHAFT LOW (31T)	1	¥5,100	
5	23413-KSC-670	COLLAR, 17MM	1	¥510	
6	23421-KSC-670	GEAR,MAINSHAFT SECOND (16T)	1	¥2,620	
7	23431-KSC-670	GEAR,COUNTERSHAFT SECOND (28T)	1	¥4,840	
8	23432-KSC-670	COLLAR, 24MM	1	¥500	
9	23441-KSC-670	GEAR,MAINSHAFT THIRD (21T)	1	¥5,300	
10	23451-KSC-670	GEAR,COUNTERSHAFT THIRD (28T)	1	¥4,840	
11	23452-KSC-670	COLLAR,COUNTERSHAFT THIRD GEAR	1	¥640	
12	23461-KSC-670	GEAR,MAINSHAFT FOURTH (24T)	1	¥4,690	
13	23462-KSC-670	COLLAR,MAINSHAFT FOURTH GEAR	1	¥950	
14	23471-KSC-670	GEAR,COUNTERSHAFT FOURTH (25T)	1	¥5,300	
15	23472-KZ4-000	COLLAR,20MM	1	¥460	
16	23481-KSC-670	GEAR,MAINSHAFT FIFTH (27T)	1	¥4,840	
17	23491-KSC-670	GEAR,COUNTERSHAFT FIFTH (22T)	1	¥5,300	
M	18	23804-10512-00	SPROCKET,DRIVE (17T)	1	¥4,500
M	18	23805-10512-00	SPROCKET,DRIVE (18T)	(1)	¥4,500
19	23802-KSC-670	COLLAR,DRIVE SPROCKET	1	¥1,070	
20	90071-MF5-000	BOLT,FLANGE SOCKET, 6x14	2	¥170	
21	90112-413-000	BOLT,UBS, 8x33	1	¥260	
22	90404-KW3-000	WASHER,THRUST INVOLUTE, 22x21x1	1	¥145	
23	90441-KA4-700	PLATE,BEARING HOLDER	2	¥175	
24	90446-357-000	WASHER,THRUST, 17.2MM	3	¥320	
25	90453-KSR-A00	WASHER, 22x32x1.5	1	¥180	
26	90452-KZ4-000	WASHER,THRUST, 22x30x1	1	¥190	
27	90452-KSR-A00	WASHER, 24x32x1	1	¥205	

BLOCK No.
E-17
TRANSMISSION



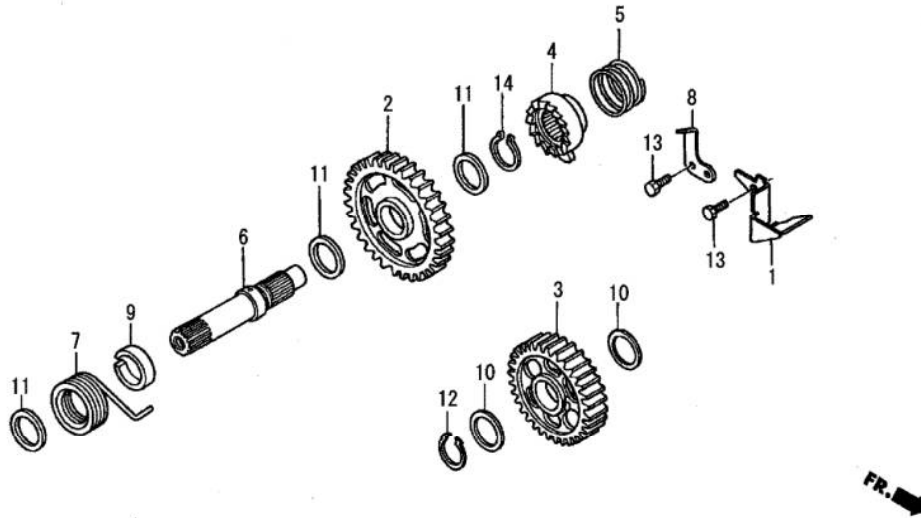
Ref. No.	Part No.	Description	Reqd. QTY	Retail Price
28	90455-HM8-A40	WASHER, SPLINE, 20MM	2	¥175
29	90501-KSC-670	WASHER, SPRING, 24MM	1	¥330
30	90601-360-000	SET RING, 20MM	2	¥310
31	90602-360-000	SET RING, 22MM	1	¥310
32	91001-KZ4-J11	BEARING, RADIAL BALL, 17x35x10	1	¥860
33	91004-KSC-671	BEARING, RADIAL BALL, 22x47x14	1	¥960
34	91005-KRN-A01	BEARING, RADIAL BALL, 22x52x14	1	¥1,280
35	91012-KA3-710	PLATE, COUNTERSHAFT BEARING	2	¥170
36	91201-KSR-A01	OIL SEAL, 28x37x7	1	¥590
37	91301-KSR-A01	D-RING, 22MM	1	¥215
38	93600-06010-0H	SCREW, FLAT, 6x10	2	¥30
39	91006-KRN-A01	BEARING RADIAL BALL, 17x38x10	1	¥1,350

BLOCK No.
E-18
GEARSHIFT DRUM



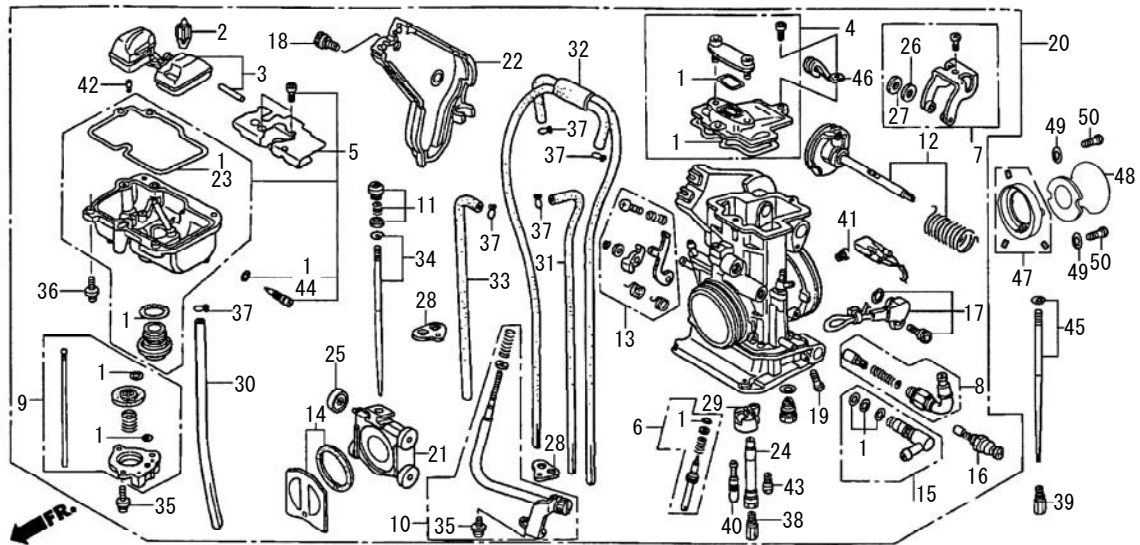
Ref. No.	Part No.	Description	Reqd. QTY	Retail Price
1	24211-KSC-670	FORK,R.GEARSHIFT	1	¥3,470
2	24221-KSC-670	FORK,L.GEARSHIFT	1	¥3,470
3	24231-KSC-670	FORK C,GEARSHIFT	1	¥3,470
4	24241-KSC-670	SHIFT A,SHIFT FORK	1	¥1,380
5	24242-KSC-670	SHIFT B,SHIFT FORK	1	¥1,230
6	24311-KRN-A00	DRUM,GEARSHIFT	1	¥4,170
7	24312-KA3-741	CENTER,GEARSHIFT DRUM	1	¥2,300
8	24315-HA0-000	PIN,SHIFTER	1	¥450
9	24321-KZ4-620	SHIFTER,DRUM	1	¥2,430
10	24322-MM4-000	COLLAR,SHIFTER	1	¥200
11	24324-KA3-711	PAWL A,RATCHET	1	¥460
12	24325-KA3-711	PAWL B,RATCHET	1	¥460
13	24326-KBH-901	PLUNGER,PAWL	2	¥350
14	24328-KRN-670	PLATE,GUIDE	1	¥610
15	24329-KA3-740	SPRING,PAWL PLANGER	2	¥125
16	24430-KA3-740	STOPPER COMP.,DRUM	1	¥870
17	24435-KZ4-690	SPRING,DRUM STOPPER	1	¥200
18	24610-KRN-730	SPINDLE COMP.,GEARSHIFT	1	¥3,660
19	24651-MEB-670	SPRING,GEARSHIFT RETURN	1	¥205
20	24652-HA0-000	PIN,GEARSHIFT RETURN SPRING	1	¥320
21	90022-MG8-000	PIVOT,SHIFT DRUM STOPPER ARM	1	¥185
22	90071-MF5-000	BOLT,FLANGE SOCKET, 6x14	2	¥170
23	90435-HB3-000	WASHER, 6.1MM	1	¥145
24	90441-KA4-700	PLATE,BEARING HOLDER	2	¥175
25	90451-155-000	WASHER, 14MM	1	¥180
26	91004-KY4-900	BEARING, RADIAL BALL, 6905U	1	¥970
27	93301-06016-0A	BOLT,HEX., 6x16	2	¥30
28	94510-14000	CIRCLIP,EXTERNAL, 14MM	1	¥30
29	96220-40080	ROLLER, 4x8	1	¥15

BLOCK No.
E-19
KICK STARTER SPINDLE



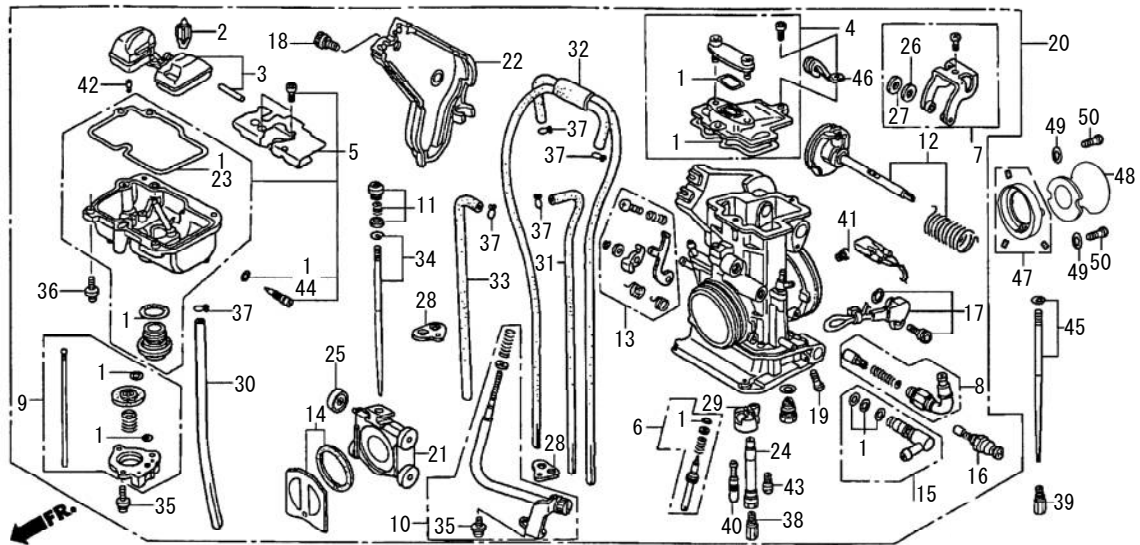
Ref. No.	Part No.	Description	Reqd. QTY	Retail Price
1	15201-KSC-670	PLATE,OIL GUIDE	1	¥610
2	28210-KSC-670	PINION COMP.,KICK STARTER (32T)	1	¥4,110
3	28230-KRN-670	GEAR COMP.,STARTER IDLE (30T)	1	¥3,280
4	28241-KA3-710	RATCHET,STARTER	1	¥2,560
5	28242-KA3-710	SPRING RATCHET	1	¥200
6	28251-KZ4-000	SPINDLE,KICK STARTER	1	¥3,920
7	28261-KA3-710	SPRING STARTER RETURN	1	¥630
8	28262-KS6-701	PLATE,RATCHET SLIDER	1	¥490
9	28282-KZ4-B00	COLLAR,KICK SPINDLE	1	¥265
10	90452-178-000	WASHER<THRUST, 17MM	2	¥160
11	90501-444-000	WASHER, 16.8x24	3	¥205
12	90601-001-000	CIRCLIP,EXTERNAL, 17MM	1	¥125
13	93301-06016-0A	BOLT,HEX., 6x16	2	¥30
14	94510-16000	CIRCRIP,EXTERNAL,16MM	1	¥35

BLOCK No.
E-20
CARBURETOR



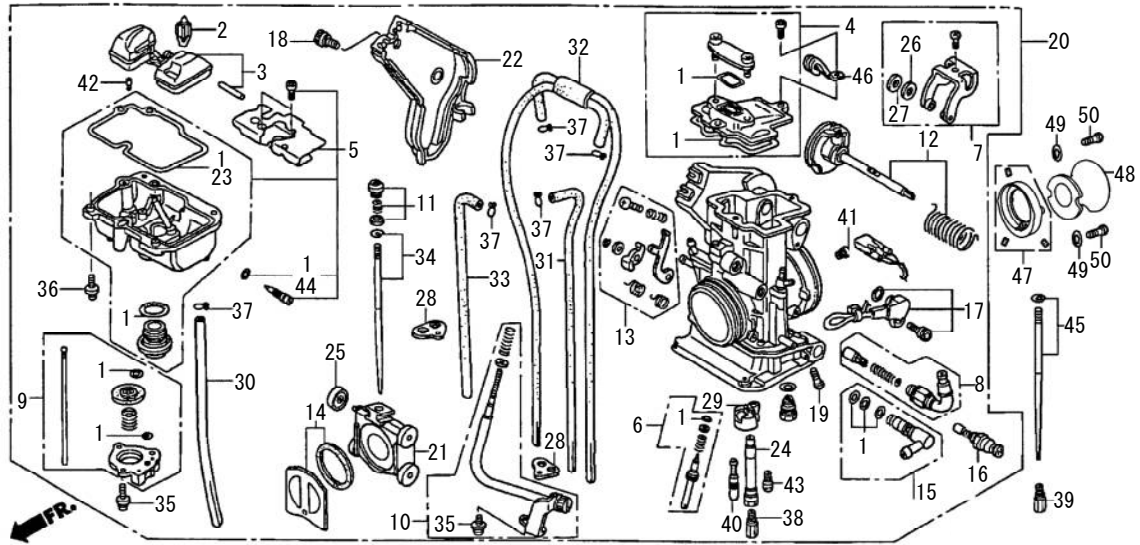
Ref. No.	Part No.	Description	Reqd .QTY	Retail Price
2	16011-MEN-851	VALVE SET, FROAT	1	¥2,300
3	16013-KRN-851	FLOAT SET	1	¥2,310
4	16014-KRN-A01	TOP SET	1	¥3,480
5	16015-KRN-A01	CHAMBER SET, FLOAT	1	¥4,660
6	16016-KRN-A01	SCREW SET A	1	¥1,560
7	16018-MEY-A11	ARM SET, LINK	1	¥1,190
8	16019-MEB-671	START SET, HOT	1	¥2,230
9	16021-MEN-A01	DIAPHRAGM SET, PUMP	1	¥1,930
10	16028-MEN-A01	SCREW SET B	1	¥1,990
11	16029-MEY-A11	SCREW SET, JETNEEDLE	1	¥700
12	16032-KRN-A11	SHAFT SET, THROTTLE	1	¥4,800
13	16033-MEN-A01	LEVER SET, PUMP	1	¥830
14	16037-MEB-671	VALVE SET, FROATING	1	¥9,400
15	16038-KRN-671	JOINT SET, FUEL	1	¥1,990
16	16046-MEB-671	VALVE SET, STARTER	1	¥2,240
17	16060-KRN-671	SENSOR ASSY., THROTLE	1	¥6,850
18	16080-HP1-601	BOLT, COVER	1	¥330
19	16083-MEB-671	SCREW, PAN	1	¥115
20	16100-KRN-A32	CARBURETOR ASSY. (FCR01F A)	1	¥63,700
21	16112-HP1-A01	VALVE, THROTTLE	1	¥14,500
22	16157-MEN-A01	COVER, THROTTLE	1	¥1,250
23	16163-MEB-671	GASKET, FLOAT CHAMBER	1	¥1,000
24	16165-MEN-A01	HOLDER, NEEDLE JET	1	¥830
25	16172-MEB-671	ROLLER	1	¥580
26	16177-MEB-671	WASHER, PLAIN (PO)	1	¥580
27	16178-MEB-671	WASHER, PLAIN (SUS)	1	¥100
28	16178-MEN-851	BINDER	2	¥390
29	16185-KRN-851	PLATE, BUFFER	1	¥830

BLOCK No.
E-20
CARBURETOR



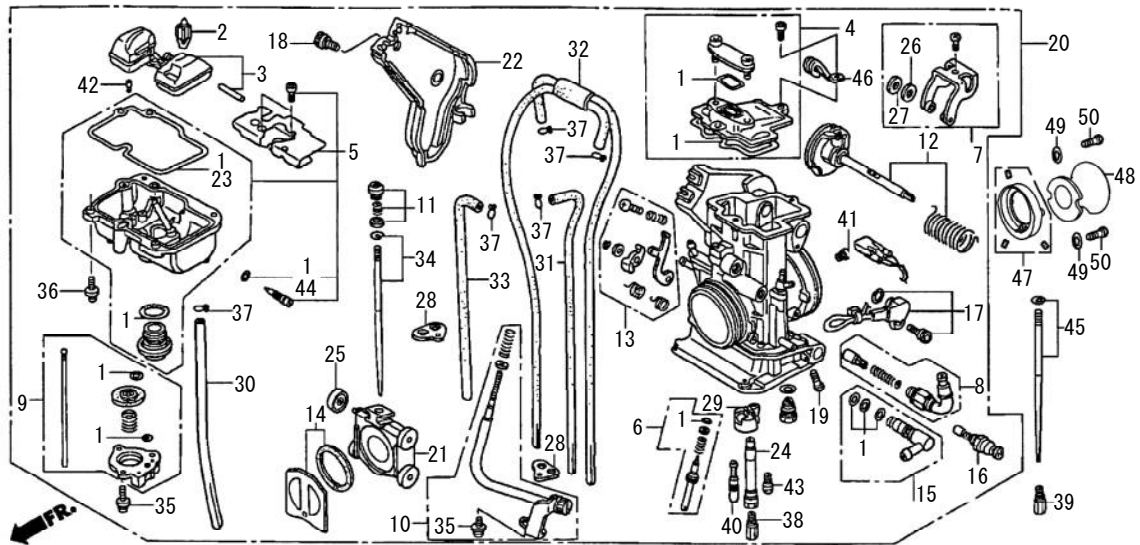
Ref. No.	Part No.	Description	Reqd .QTY	Retail Price
30	16196-MEN-851	TUBE, OVERFLOW	1	¥570
31	16197-MEB-671	TUBE, AIR VENT	1	¥510
32	16198-MEB-671	TUBE COMP., AIR VENT	1	¥610
33	16199-MEB-671	TUBE, AIR VENT	1	¥510
34	16204-KRN-A31	NEEDLE SET, JET (NNSU)	1	¥1,560
	16201-KRN-E31	NEEDLE SET, JET (NNTS)	(1)	¥1,560
	16202-KRN-E31	NEEDLE SET, JET (NNTT)	(1)	¥1,560
	16203-KRN-E31	NEEDLE SET, JET (NNTU)	(1)	¥1,560
	16204-KRN-E31	NEEDLE SET, JET (NNTV)	(1)	¥1,560
	16205-KRN-E31	NEEDLE SET, JET (NNTW)	(1)	¥1,560
	16230-KRN-E31	NEEDLE SET, JET (NPAS)	(1)	¥1,560
	16231-KRN-E31	NEEDLE SET, JET (NPAT)	(1)	¥1,560
	16232-KRN-E31	NEEDLE SET, JET (NPAU)	(1)	¥1,560
	16233-KRN-E31	NEEDLE SET, JET (NPAV)	(1)	¥1,560
	16234-KRN-E31	NEEDLE SET, JET (NPAW)	(1)	¥1,560
35	93892-0400808	SCREW-WASHER, 4x8	4	30
36	39892-0401408	SCREW-WASHER, 4x14	4	30
37	95002-02079	CLIP, TUBE (B7)	5	30
38	99113-GHB1500	JET, MAIN, #150	(1)	450
	99101-357-1520	JET, MAIN, #152	(1)	450
	99113-GHB1550	JET, MAIN, #155	(1)	450
	99113-GHB1580	JET, MAIN, #158	(1)	450
	99113-GHB1600	JET, MAIN, #160	(1)	450
	99113-GHB1620	JET, MAIN, #162	(1)	450
	99113-GHB1650	JET, MAIN, #165	(1)	450
	99113-GHB1680	JET, MAIN, #168	(1)	450
	99113-357-1700	JET, MAIN, #170	(1)	450

BLOCK No.
E-20
CARBURETOR



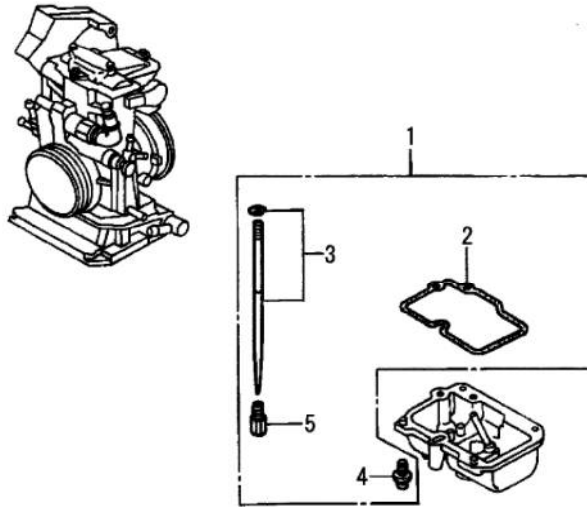
Ref. No.	Part No.	Description	Reqd .QTY	Retail Price
(38)	99101-357-1720	JET,MAIN, #172	(1)	¥450
	99101-357-1750	JET,MAIN, #175	(1)	¥450
	99113-GHB1780	JET,MAIN, #178	(1)	¥450
	99113-GHB1800	JET,MAIN, #180	(1)	¥450
	99113-GHB1820	JET,MAIN, #182	(1)	¥450
	99113-GHB1850	JET,MAIN, #185	(1)	¥450
	99113-GHB1880	JET,MAIN, #188	(1)	¥450
40	99103-440-0350	JET,SLOW, #35	(1)	¥440
	99103-KBA0380	JET,SLOW, #38	(1)	¥450
	99103-GBF0400	JET,SLOW, #40	(1)	¥430
	99103-440-0420	JET,SLOW, #42	1	¥440
	99103-GBF0450	JET,SLOW, #45	(1)	¥430
	99103-GBF0480	JET,SLOW, #48	(1)	¥430
41	99104-MEB-1000	JET, SLOW AIR	(1)	¥520
42	99108-KRN-0400	JET,LEAK, #40	(1)	520
	99108-KRN-0450	JET,LEAK, #45	(1)	440
	99108-KRN-0500	JET,LEAK, #50	(1)	440
	99108-KRN-0700	JET,LEAK, #70	1	440
	99108-KRN-0750	JET,LEAK, #75	(1)	440
	99108-KRN-0800	JET,LEAK, #80	(1)	440
	99108-KRN-0850	JET,LEAK, #85	(1)	440
	99108-KSC-0650	JET,LEAK, #65	(1)	440
	99108-KSC-0600	JET,LEAK, #60	(1)	440
	99108-MEB-0550	JET,LEAK, #55	(1)	440
43	99112-KRN-0680	JET,BY-STARTER, #68	1	530
44	16076-ND5-004	O-RING 1.3x4.3	1	125

BLOCK No.
E-20
CARBURETOR



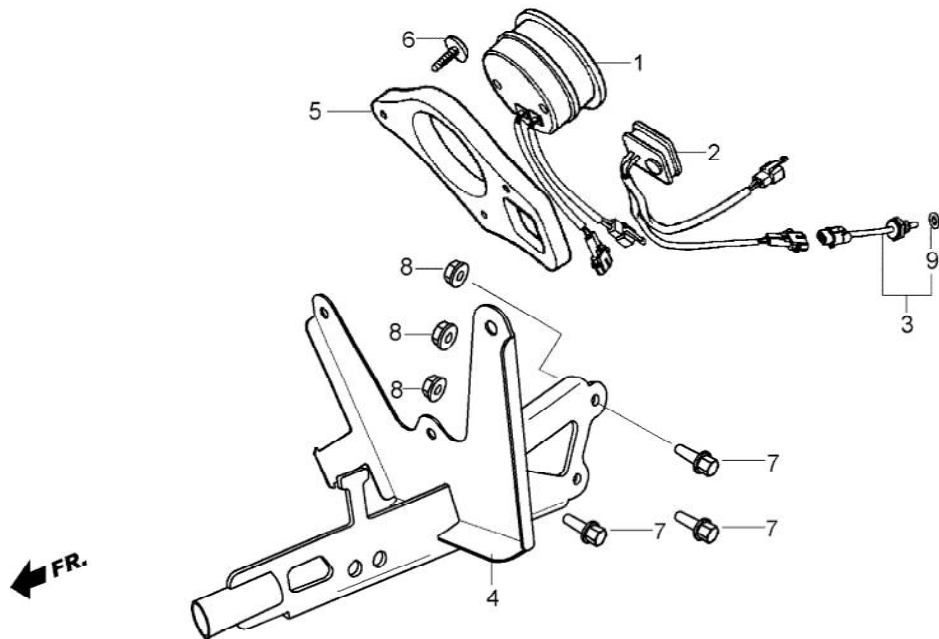
Ref. No.	Part No.	Description	Reqd .QTY	Retail Price	
45	16203-MEN-671	NEEDLE SET,JET (NCYR)	(1)	¥1,640	
	16201-KRN-J01	NEEDLE SET,JET (NKDR)	(1)	¥1,640	
	16202-KRN-J01	NEEDLE SET,JET (NKDS)	(1)	¥1,640	
	16203-KRN-J01	NEEDLE SET,JET (NKDT)	(1)	¥1,640	
	16204-KRN-J01	NEEDLE SET,JET (NKDU)	(1)	¥1,640	
	16205-KRN-J01	NEEDLE SET,JET (NKDV)	(1)	¥1,640	
	16230-KRN-J01	NEEDLE SET,JET (NJLR)	(1)	¥1,640	
	16231-KRN-J01	NEEDLE SET,JET (NJLS)	(1)	¥1,640	
	16232-KRN-J01	NEEDLE SET,JET (NJLT)	(1)	¥1,640	
	16233-KRN-J01	NEEDLE SET,JET (NJLU)	(1)	¥1,640	
	16234-KRN-J01	NEEDLE SET,JET (NJLV)	(1)	¥1,640	
	46	16088-KRN-A01	CRIP	1	¥540
M	47	16101-10512-00	FANNEL,BASE.,	1	¥8,500
M	48	133-000-4500	FANNEL 45MM	1	3750
M	49	90452-323-000	WASHER 5.5x12	2	95
M	50	970000-05006	BOLT,CAP 5x6	2	30

BLOCK No.
E-20-1
CARBURETOR,O,P,KIT



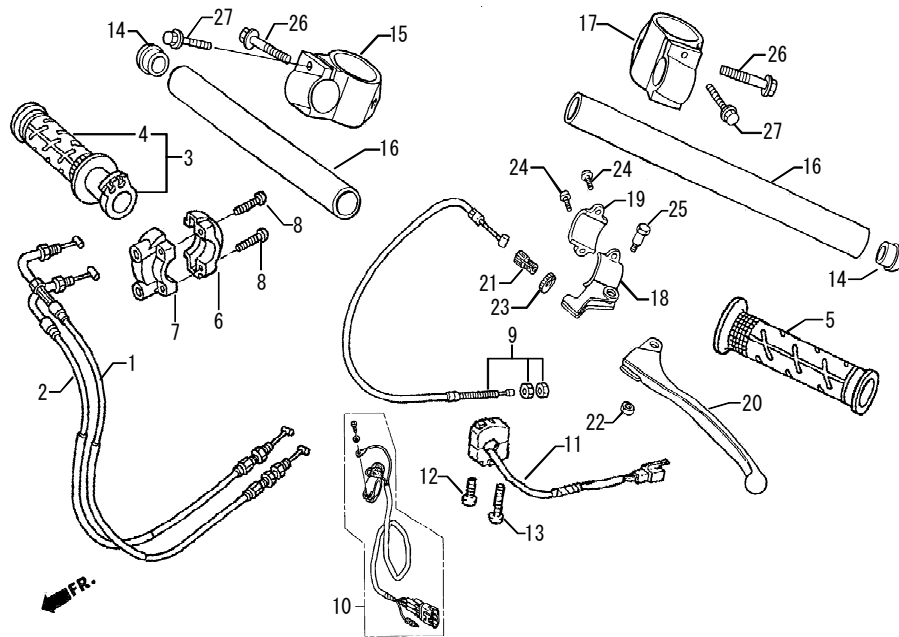
Ref. No.	Part No.	Description	Reqd. QTY	Retail Price
1	16020-KRN-E32	PARTS KIT, CARBURETIOR, OPTIONAL	(1)	¥21,500
2	16163-MEB-671	GASKET, FLOAT CHAMBER	(5)	¥1,000
3	16201-KRN-E31	NEEDLE SET, JET, (NNTS)	(1)	¥1,560
	16202-KRN-E31	NEEDLE SET, JET, (NNTT)	(1)	¥1,560
	16204-KRN-E31	NEEDLE SET, JET, (NNTV)	(1)	¥1,560
	16205-KRN-E31	NEEDLE SET, JET, (NNTW)	(1)	¥1,560
	16230-KRN-E31	NEEDLE SET, JET, (NNAS)	(1)	¥1,560
	16231-KRN-E31	NEEDLE SET, JET, (NNAT)	(1)	¥1,560
	16232-KRN-E31	NEEDLE SET, JET, (NNAU)	(1)	¥1,560
	16233-KRN-E31	NEEDLE SET, JET, (NNAV)	(1)	¥1,560
	16234-KRN-E31	NEEDLE SET, JET, (NNAW)	(1)	¥1,560
4	93892-0401408	SCREW, WASHER, 4x14	(10)	¥30
5	99113-GHB1680	JET, MAIN, #168	(1)	¥450
	99101-357-1700	JET, MAIN, #170	(1)	¥450
	99101-357-1720	JET, MAIN, #172	1	¥450
	99101-357-1750	JET, MAIN, #175	(1)	¥450
	99113-GHB1780	JET, MAIN, #178	(1)	450
	99113-GHB1800	JET, MAIN, #180	(1)	450
	99113-GHB1820	JET, MAIN, #182	(1)	450
	99113-GHB1880	JET, MAIN, #188	(1)	450
	99113-GHB1900	JET, MAIN, #190	(1)	450
	99113-GHB1920	JET, MAIN, #192	(1)	450
	99113-GHB1950	JET, MAIN, #195	(1)	450

BLOCK No.
F-1
METER,
PANEL,METER



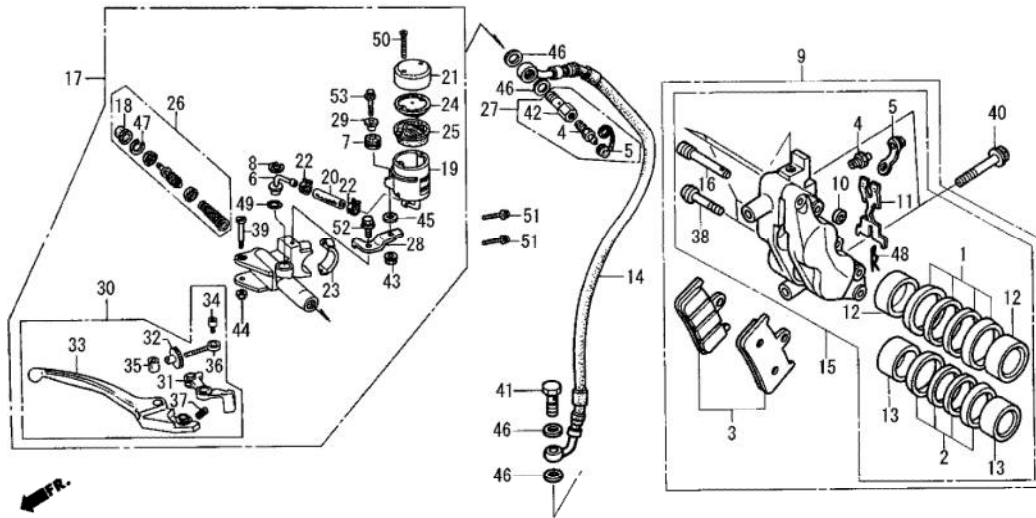
Ref. No.	Part No.	Description	Reqd. QTY	Retail Price
M 1	37250-10516-00	TACHOMETER ASSY	1	¥30,800
M 2	37460-10512-00	INDICATOR ASSY., WATER TEMP	1	¥11,000
M 3	37870-10512-00	SENSOR ASSY., T.W	1	¥4,100
M 4	50810-10512-01	STAY COMP., CENTER FRONT COWL	1	¥8,000
• 5	50815-NX4-000	PANEL, METER	1	¥840
• 6	50816-NX4-000	CLIP, XMAS TREE	3	¥20
M 7	973010-06020	FLANGE BOLT M6x20	3	¥40
8	90301-473-003	FLANGE LOCK NUT M6	3	¥280
9	91307-PK2-005	O-RING, 1.5x9.5	1	¥90

BLOCK No.
F-2
CABLE · SWICH ·
HANDLE PIPE · THROTTLE



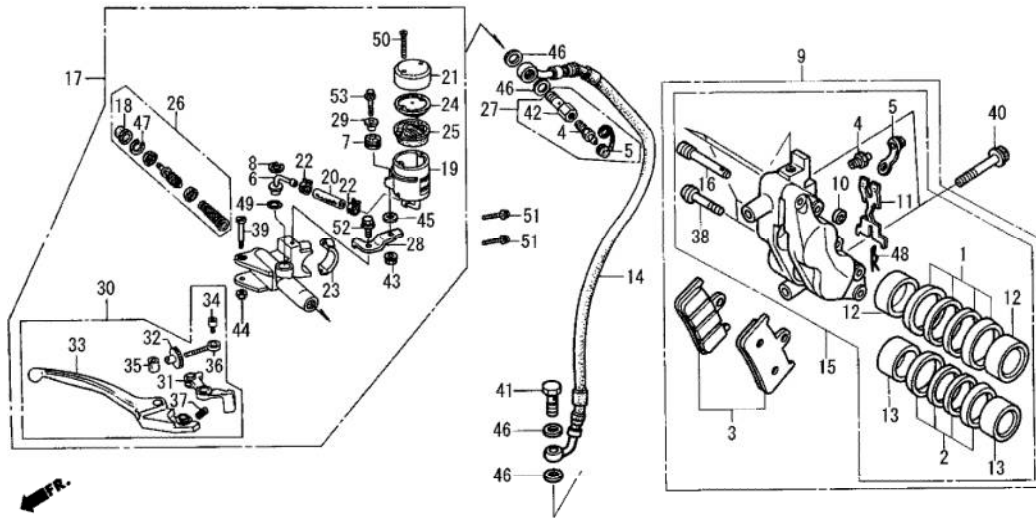
Ref. No.	Part No.	Description	Reqd. QTY	Retail Price	
	1	17910-MEL-000	CABLE COMP. A, THROTTLE	1	¥1,640
M	2	17920-10517-00	CABLE COMP. B, THROTTLE	1	¥2,170
	3	53140-MCF-000	GRIP ASSY., THROTTLE	1	¥1,850
	4	53165-MY9-890	GRIP, R. HANDLE	1	¥1,160
	5	53166-MY9-890	GRIP, L.. HANDLE	1	¥1,160
	6	53167-MV4-000	HOUSING, UPPER THROTTLE	1	¥1,320
	7	53168-MV4-000	HOUSING, UNDER THROTTLE	1	¥1,630
	8	93500-05022-0G	SCREW, PAN 5x22	2	¥30
	9	22870-MEE-010	CABLE COMP., CLUTCH	1	¥1,720
	10	35130-KSC-670	SWITCH ASSY., ENGINE STOP	1	¥1,930
	11	35130-NL6-000	SW ASSY, ST ENGINE STOP	1	¥2,130
	12	93500-04032-0G	SCREW, PAN 4x32	1	¥25
	13	93500-04045-0G	SCREW, PAN 4x45	1	¥30
M	14	53105-20158-00	CAP, HANDLE PIPE	2	¥100
M	15	53110-10516-00	HOLDER, R. HANDLE	1	¥5,800
M	16	53115-10512-00	PIPE, HANDLE	2	¥1,900
M	17	53120-10516-00	HOLDER, L.. HANDLE	1	¥5,800
	18	53172-430-003	BRACKET, L.HANDLE LEVER	1	¥2,810
	19	53173-376-000	HOLDER, LEVER BRACKET	1	¥800
	20	53178-399-700	LEVER, L.STEERING HANDLE	1	¥1,330
	21	53192-MEE-000	BOLT, WIRE ADJUST	1	¥580
M	22	987010-06000	U-NUT, 6MM	1	¥100
	23	90321-MEE-000	NUT, FIXING	1	¥130
	24	93500-05016-0A	SCREW, PAN 5x16	2	¥25
	25	90114-310-000	BOLT, HANDLE LEVER PIVOT	1	¥340
	26	95801-08030-00	BOLT, FLANGE, 8x30	2	¥50
M	27	973010-06020	BOLT, FLANGE, 6x20	2	¥50

BLOCK No.
F-3
FRONT BRAKE CALIPER
FRONT BRAKE MASTERCYLINDER



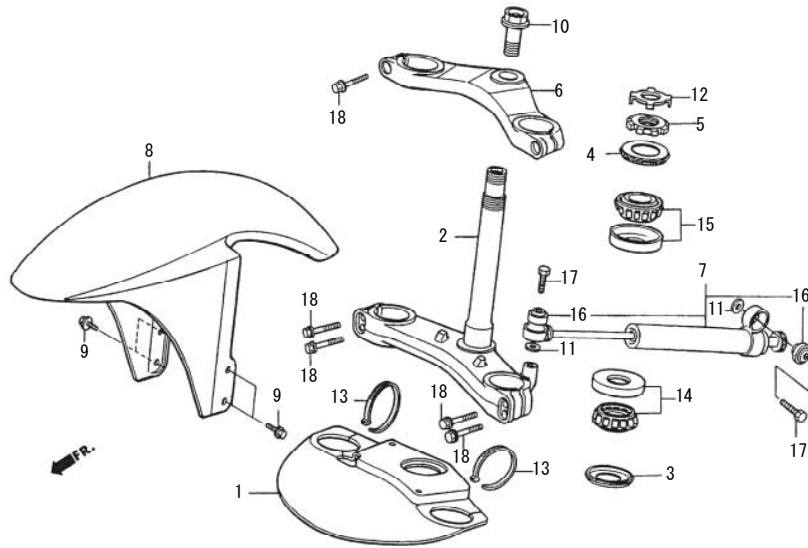
Ref. No.	Part No.	Description	Reqd. QTY	Retail Price
• 1	06451-NX4-860	SEAL SET, PISTON 34	1	¥660
• 2	06452-NX4-860	SEAL SET, PISTON 30	1	¥660
• 3	06455-NX4-860	PAD SET, FR	1	¥6,460
• 4	43352-568-003	SCREW, BLEEDER	2	¥215
• 5	43353-461-771	CAP, BLEEDER	2	¥205
• 6	43503-KS6-701	CONNECTOR	1	¥490
• 7	43516-HA2-000	RUBBER, OIL CUP MOUNT	1	¥185
• 8	43517-KS6-701	CIRCLIP, REAR MASTERCYLINDER	1	¥170
• 9	45100-NX4-861	CALIPER ASSY., R. FRONT	1	¥31,400
• 10	45103-MR7-006	SEAL, JOINT	1	¥150
• 11	45106-NX4-860	SPRING, PAD	1	¥300
• 12	45107-NX4-860	PISTON, B	2	¥1,260
• 13	45117-MR7-006	PISTON, A	2	¥1,650
• 14	45125-NX4-861	HOSE, FRONT BRAKE	1	¥3,400
• 15	45150-NX4-860	CALIPER SUB ASSY., R. FR	1	¥25,000
• 16	45215-NX4-860	PIN, HANGER	1	¥400
• 17	45500-NX4-861	MASTERCYLINDER ASSY., FRONT BRAKE	1	¥11,000
• 18	45504-410-003	BOOT COMP	1	¥480
• 19	45511-KV3-016	OIL CUP COMP	1	¥1,460
• 20	45512-NX4-861	HOSE, MASTERCYLINDER OIL CUP	1	¥310
• 21	45513-KV3-006	CAP, OIL CUP	1	¥1,190
• 22	45514-KV3-006	CLAMP, MASTERCYLINDER OIL HOSE	2	¥560
• 23	45517-166-006	HOLDER, MASTERCYLINDER	1	¥740
• 24	45518-KV3-006	PLATE, DIAPHRAGM	1	¥510
• 25	45520-KV3-006	DIAPHRAGM	1	¥550
• 26	45530-471-831	CYLINDER SET, MASTER	1	¥2,300
• 27	45530-NF4-650	BOLT ASSY., OIL BLEEDER	1	¥1,200
• 28	45550-NX4-861	STAY, MASTERCYLINDER CUP	1	¥2,140
• 29	50324-425-010	COLLAR, 6.3x13	1	¥235

BLOCK No.
F-3
FRONT BRAKE CALIPER
FRONT BRAKE MASTERCYLINDER



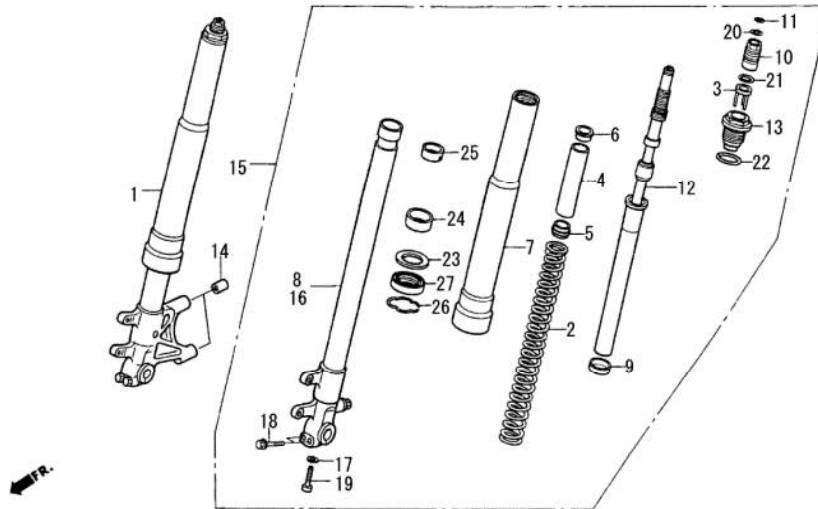
Ref. No.	Part No.	Description	Reqd. QTY	Retail Price	
	30	53170-MW0-006	LEVER ASSY., R. HANDLE	1	¥1,970
•	31	53171-MW0-006	KNOCKER, MASTERCYLINDER	1	¥720
	32	53172-KV0-006	ADJUSTER, HANDLE LEVER R.	1	¥410
•	33	53175-MW0-006	LEVER, HANDLE R.	1	¥1,450
	34	53177-KV0-006	BOLT, LEVER SOCKET, 5x5	1	¥185
	35	53179-KV0-006	JOINT, LEVER	1	¥170
	36	53180-KV0-006	BOLT, ADJUST	1	¥310
	37	53181-KV0-006	SPRING, HANDLE LEVER	1	¥140
•	38	90107-NX4-860	BOLT, TORX 8x38	4	¥600
	39	90114-MA5-671	BOLT, HANDLE LEVER	1	¥380
•	40	90131-NX4-860	BOLT, FLANGE, 10x75	2	¥4,800
	41	90145-MS9-612	OIL BOLT, 10x22	1	¥410
•	42	90145-NF4-650	BOLT, OIL BLEEDER	1	¥900
	43	90301-MG3-000	U-NUT 6mm	1	¥255
•	44	90302-NX5-000	U-NUT, HEX., 6mm	1	¥100
	45	90473-147-000	WASHER, 6x16	1	¥130
	46	90601-ZE1-000	WASHER PLUG DRAWIN, 10MM	4	¥55
	47	90651-MA5-671	CIRCLIP	1	¥170
•	48	90701-NX4-860	PIN, LOCK	1	¥200
	49	91212-422-006	O-RING, 14.8x2.4	1	¥175
	50	93600-04050-1G	SCREW, FLAT, 4x50	2	¥30
	51	95801-06025-00	BOLT., FLANGE, 6x25	2	¥40
	52	96300-06012-07	BOLT., FLANGE,DR, 6x12	1	¥40
	53	96300-06028-07	BOLT, FLANGE,DR, 6x28	1	¥50

BLOCK No.
F-4
STEERING STEM-
FENDER, FRONT-
STEERING DAMPER



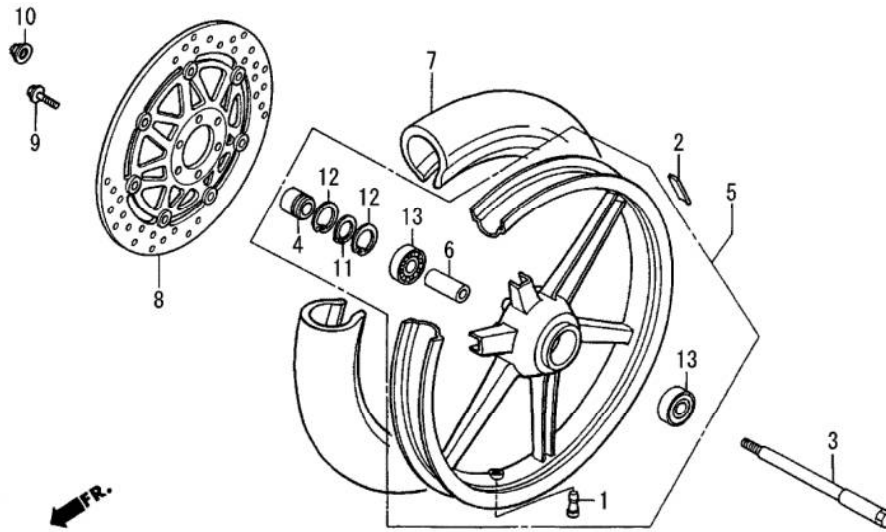
Ref. No.	Part No.	Description	Reqd. QTY	Retail Price	
•	1	50820-NX4-000	COVER, STEERING UNDER	1	¥2,610
M	2	53219-10516-00	STEM COMP., STEERING, 32.5	1	¥26,800
	3	53214-KZ4-701	DUST-SEAL, STEERING HEAD	1	¥320
	4	53214-430-003	DUST-SEAL, STEERING HEAD	1	¥510
•	5	53229-NX4-000	THREAD, STEERING	1	¥2,500
M	6	53300-10516-00	BRIDGE, FORK TOP, 32.5	1	¥17,000
•	7	53700-NF4-900	DAMPER ASSY., STEERING	1	¥12,500
M	8	61100-10516-00	FENDER, FRONT	1	¥12,500
M	9	973010-06012	BOLT, FRANGE, 6x12	4	¥115
•	10	90303-NX4-000	BOLT, STEERING STEM	1	¥2,500
	11	94102-08000	WASHER, 8MM	2	¥25
•	12	90506-NX4-000	STOPPER, STEERING THREAD	1	¥350
M	13	90650-35290-00	BAND, SELF LOCK 3.5x290 WT	2	¥110
	14	91015-KZ4-701	BEARING, HEAD PIPE	1	¥1,850
	15	91015-425-831	BEARING, HEAD PIPE UP	1	¥2,230
	16	91060-NL0-003	BEARING, SPHERICAL, 8MM	2	¥3,120
M	17	90140-08025-41	BOLT, FLANGE CAP, 8x25	2	¥90
M	18	95801-08030-00	BOLT, FLANGE, 8x30	6	¥50

BLOCK No.
F-5
FRONT FORK



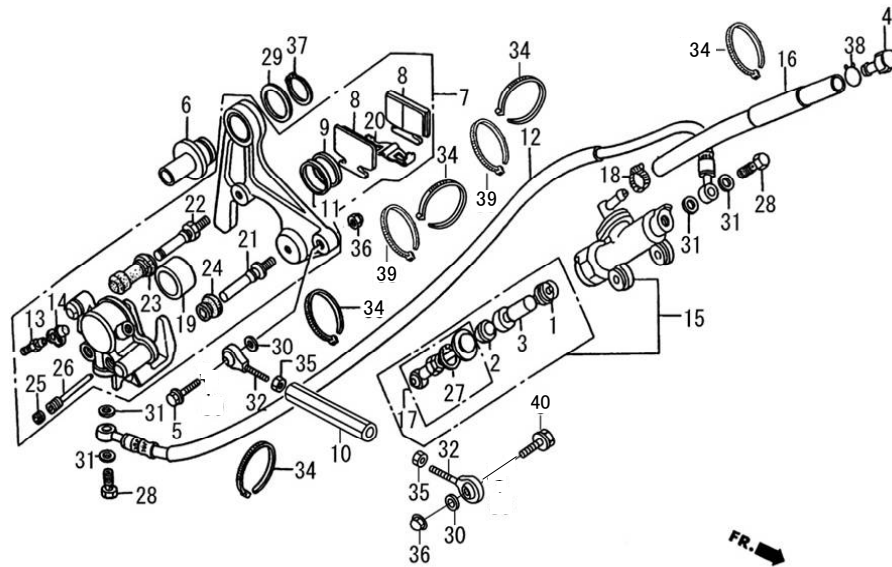
Ref. No.	Part No.	Description	Reqd. QTY	Retail Price
• 1	51400-NX4-862	FORK ASSY., R. FRONT	1	¥52,960
• 2	51401-NX4-003	SPRING, FRONT FORK	2	¥5,160
•	51402-NX4-003	SPRING, FRONT FORK H	(2)	¥5,160
•	51403-NX4-003	SPRING, FRONT FORK S	(2)	¥5,160
• 3	51404-NF5-611	PLATE COMP., SPRING ADJUST	2	¥180
• 4	51404-NX4-003	COLLAR, SPRING	2	¥150
• 5	51405-NX4-003	PLATE, SPRING JOINT	2	¥480
• 6	51406-NX4-003	STOPPER, SPRING SEAT	2	¥390
• 7	51410-NX4-861	TUBE, OUTER	2	¥14,000
• 8	51420-NX4-862	PIPE COMP., R. SLIDE	1	¥22,400
• 9	51421-MW4-003	PLATE, CENTERING	2	¥350
• 10	51422-NF5-611	ADJUSTER, SPRING	2	¥560
• 11	51423-NF5-611	RING B, STOPPER	2	¥50
• 12	51430-NX4-862	DAMPER COMP., FRONT	2	¥19,100
• 13	51454-NX4-003	BOLT, FRONT FORK	2	¥2,630
• 14	51497-MEL-000	SPACER, FR. FORK	2	¥380
• 15	51500-NX4-862	FORK ASSY., L.. FRONT	1	¥50,160
• 16	51520-NX4-862	PIPE COMP., L.. SLIDE	1	¥22,400
• 17	52442-KA3-711	WASHER, SPECIAL, 10MM	2	¥125
• 18	90107-KF0-000	BOLT, FLANGE, DR, 8x40	4	¥185
• 19	90126-MR7-003	BOLT, SOCKET, 10x35	2	¥560
• 20	91311-MR7-003	O-RING, 13.8x2.4	2	¥170
• 21	91351-NF5-611	O-RING, 23.7x2.4	2	¥100
• 22	91356-KA4-711	O-RING, 35.2x2.4	2	¥210
• 23	51412-422-003	RING, BACK UP	2	¥360
• 24	51414-NX4-702	BUSH, GUIDE	2	¥510
• 25	51415-NX4-702	BUSH, SLIDE	2	¥620
• 26	51447-KL4-951	RING, OIL SEAL STOP	2	¥175
• 27	91255-NX4-771	SEAL, OIL 35x48x11	2	¥480

BLOCK No.
F-6
FRONT WHEEL



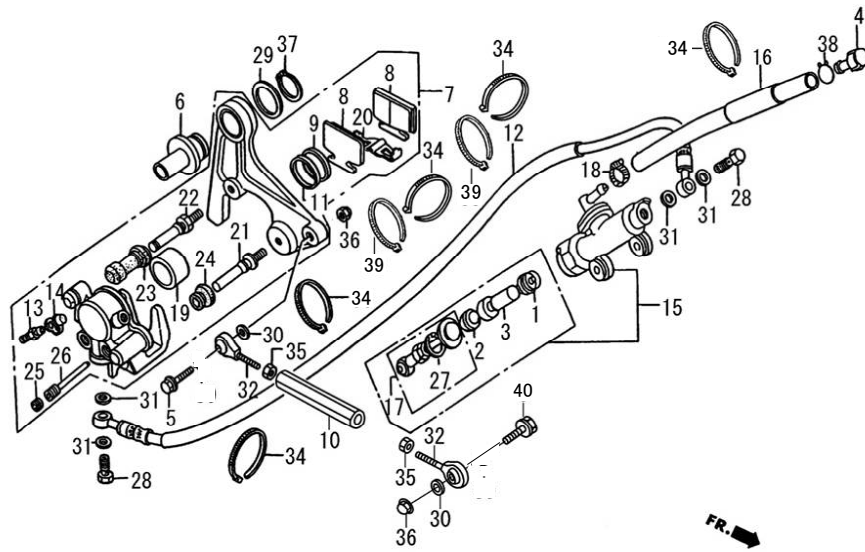
Ref. No.	Part No.	Description	Reqd. QTY	Retail Price
• 1	42753-ML7-004	VALVE, RIM(BS)	1	¥500
• 2	42720-NC8-000	WEIGHT, BALANCER, 10G	N	¥60
• 3	44301-NX4-000	AXLE, FRONT WHEEL	1	¥2,810
• 4	44303-NF4-000	COLLAR, FRONT WHEEL SIDE	1	¥890
• 5	44600-NX4-306	WHEEL SET, FRONT(2.50x17)	1 BLACK	¥60,000
• 6	44620-NF4-000	COLLAR, FRONT WHEEL DISTANCE	1	¥470
• 7		TIRE, FRONT (95/70-R17)(DL)	1	
• 8	45120-NX4-681	DISK COMP., R. FRONT BRAKE	1 SUS(STEEL)	¥16,300
M 9	973000-06020	BOLT, FLANGE 6x20 SUS	6	¥170
•	90113-ND5-761	BOLT, FLANGE 6x20	6 WIRE LOCK	¥240
10	90305-GE8-003	U-NUT, 14MM	1	¥250
• 11	90651-NF4-000	CIRCLIP, EXTERNAL 26	1	¥220
• 12	90652-NF4-000	CIRCLIP, INTERNAL 35	2	¥220
13	96140-62020-10	BEARING, BALL RADIAL, 6202U	2	¥440

BLOCK No.
F-7
REAR CALIPER-
REAR BRAKE MASTERCYLINDER



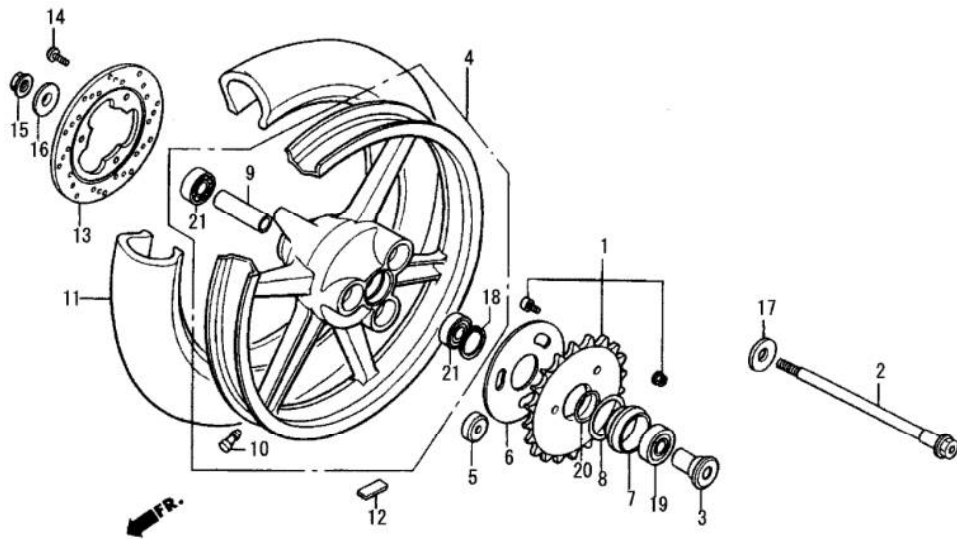
Ref. No.	Part No.	Description	Reqd. QTY	Retail Price
• 1	04601-ND5-760	CUP, PRIMARY	1	¥370
• 2	04602-ND5-760	CUP, SECONDARY	1	¥370
• 3	04603-NF4-770	PISTON, REAR	1	¥1,560
4	17370-419-700	PLUG, BREATHER TUBE	1	¥200
5	95801-08035-00	BOLT, FLANGE, 8x35	1	¥50
• 6	42305-NX4-000	COLLAR, CALIPER BRACKET	1	¥1,250
• 7	43100-NF5-612	CALIPER ASSY., REAR	1	¥17,500
• 8	43105-NF5-612	PAD COMP	2	¥2,000
9	43109-MA3-006	DUST SEAL	1	¥280
M 10	43111-10512-10	ROD, REAR BRAKE TORQUE	1	¥950
11	43209-MA3-006	SEAL, PISTON	1	¥290
• 12	43310-NX4-003	HOSE, REAR BRAKE	1	¥1,450
13	43352-568-003	SCREW, BLEEDER	1	¥215
14	43353-461-771	CAP, BLEEDER	1	¥205
• 15	43500-NF4-771	MASTER CYLINDER ASSY., REAR	1	¥10,300
• 16	43503-NX4-000	V-TUBE, 9x13x275	1	¥150
• 17	43504-NF4-770	ROD ASSY	1	¥2,700
• 18	43541-ND5-750	CLAMP	1	¥250
19	45107-GM9-711	PISTON	1	¥1,320
20	45108-GM9-741	PAD SPRING	1	¥390
21	45131-HA5-672	PIN, BOLT, A	1	¥560
22	45131-166-016	PIN, BOLT	1	¥280
23	45132-166-016	BUSH, PIN	1	¥210
24	45133-MA3-006	BOOT, B	1	¥250
25	45203-MG3-016	PLUG, PIN	2	¥210

BLOCK No.
F-7
REAR CALIPER-
REAR BRAKE MASTERCYLINDER



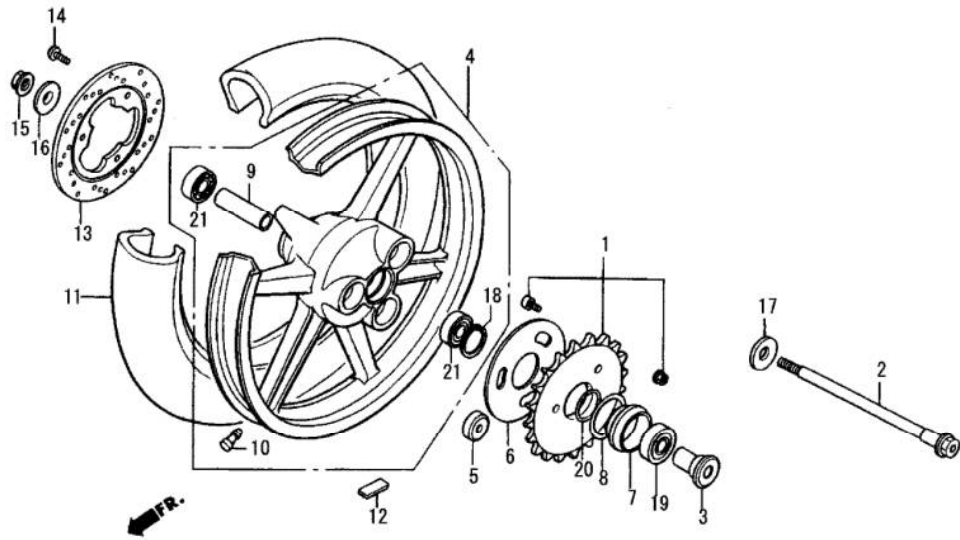
Ref. No.	Part No.	Description	Reqd. QTY	Retail Price
26	45215-GE2-016	HANGER PIN	2	¥450
27	46182-500-013	CIRCLIP, MASTER CYLINDER	1	¥110
28	90145-MS9-612	OIL BOLT, 10x22	2	¥410
29	90475-425-000	WASHER, THRUST, 30MM	1	¥220
30	94102-08000	WASHER, PLAIN, 8MM	2	¥25
31	90601-ZE1-000	WASHER, PLUG, DRAIN, 10MM	4	¥55
32	91048-NX4-710	ROD END, 8MM	2	¥1,350
33	95801-08030-00	BOLT FLANGE 8X30	1	¥50
M 34	90650-35150-00	BAND, SELF LOCK 3.5x150 WT	5	¥30
35	94002-08000-0S	NUT, HEX, 8MM	2	¥30
36	94050-08000	NUT, FLANGE, 8MM	2	¥35
37	94510-30000	CIRCLIP, EXTERNAL, 30	1	¥55
38	95002-02120	CLIP, B12 TUBE	1	¥35
M 39	90650-25100-00	BAND, SELF LOCK 2.5x100 WT	2	¥30

BLOCK No.
F-8
REAR WHEEL



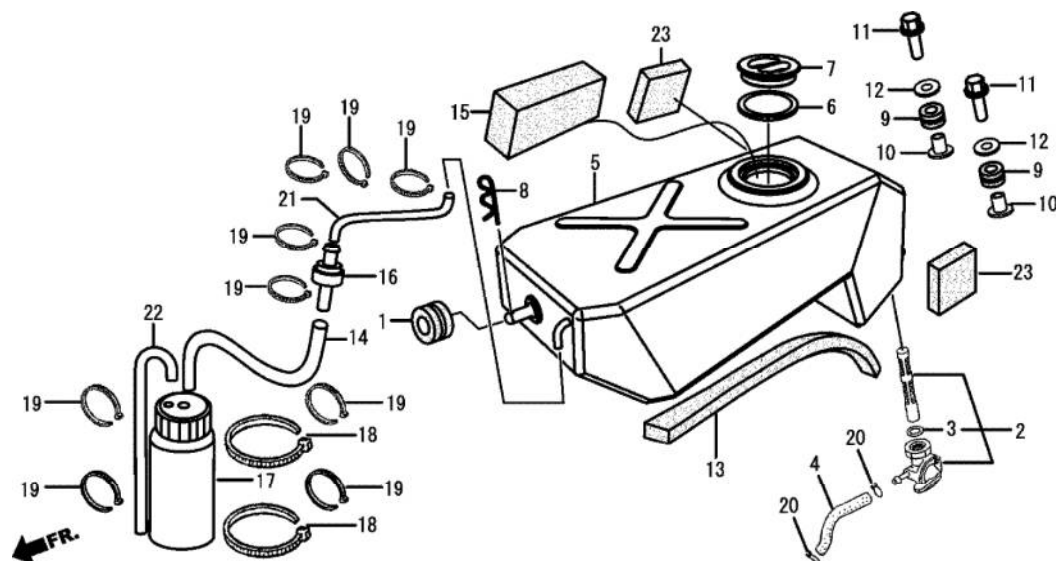
Ref. No.	Part No.	Description	Reqd. QTY	Retail Price
• 1	41102-NX4-770	SPROCKET ASSY., FINAL DRIVEN 32T	(1)	¥12,000
•	41103-NX4-770	SPROCKET ASSY., FINAL DRIVEN 33T	(1)	¥12,000
•	41104-NX4-770	SPROCKET ASSY., FINAL DRIVEN 34T	(1)	¥12,000
•	41105-NX4-770	SPROCKET ASSY., FINAL DRIVEN 35T	(1)	¥12,000
•	41106-NX4-770	SPROCKET ASSY., FINAL DRIVEN 36T	1	¥12,000
•	41107-NX4-770	SPROCKET ASSY., FINAL DRIVEN 37T	(1)	¥12,000
•	41108-NX4-770	SPROCKET ASSY., FINAL DRIVEN 38T	(1)	¥12,000
•	41109-NX4-770	SPROCKET ASSY., FINAL DRIVEN 39T	(1)	¥12,000
•	41110-NX4-770	SPROCKET ASSY., FINAL DRIVEN 40T	(1)	¥12,000
• 2	42301-NX4-000	AXLE, REAR WHEEL	1	¥3,540
• 3	42304-NX4-000	COLLAR, REAR WHEEL SIDE	1	¥1,900
• 4	42600-NX4-306	WHEEL SET, REAR(3.50x17)	1	BLACK ¥67,000
M 5	42615-10513-00	RUBBER, REAR WHEEL DAMPER	3	¥1,050
• 6	42616-NF4-000	WASHER, SPROCKET	1	¥1,510
• 7	42617-NF4-770	COLLER, SPROCKET	1	¥1,610
• 8	42618-NF4-000	WASHER, COLLER SPROCKET 0.2	1	¥370
•	42619-NF4-000	WASHER, COLLER SPROCKET 0.3	1	¥370
• 9	42620-NX4-000	COLLER, REAR WHEEL DISTANCE	1	¥700
• 10	42753-ML7-003	VALVE, RIM(BS)	1	¥510
11		TIRE REAR (115/70R17)(DL)	1	
• 12	42720-NC8-000	WHEIGHT, BALANCE, 10G	N	¥60
• 13	43122-NF5-760	DISK, BRAKE	1	SUS(STEEL) ¥10,600
14	90105-KR3-000	BOLT, FRONT DISK, 8x24	3	¥265
15	90305-GE8-003	U-NUT, 14MM	1	¥250

BLOCK No.
F-8
REAR WHEEL



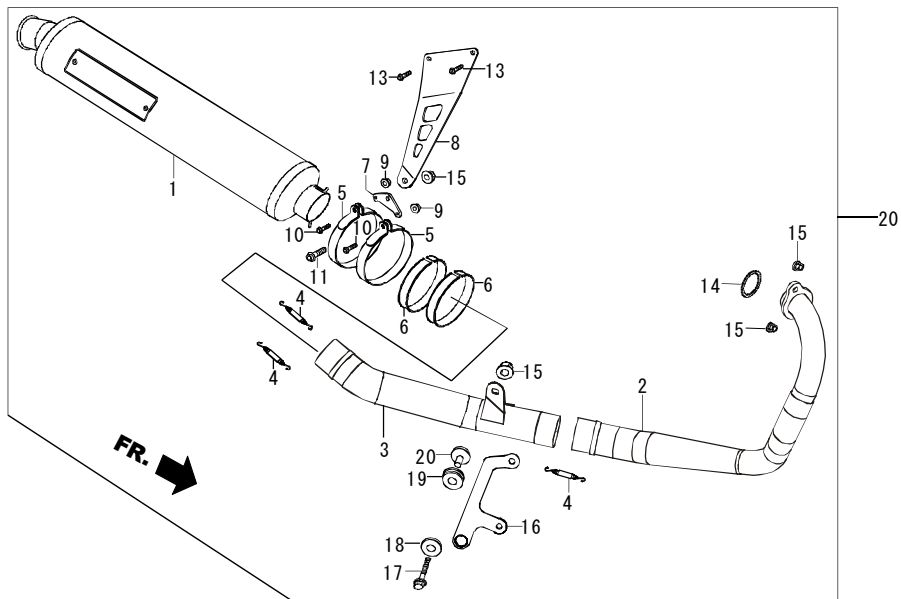
Ref. No.	Part No.	Description	Reqd. QTY	Retail Price
• 16	90411-NX4-000	WASHER, 14x32x1	1	¥200
• 17	90456-NX4-000	WASHER, 18x32x1	1	¥200
• 18	90652-NF4-000	CIRCLIP, INTERNAL 35	1	¥220
• 19	91052-NF4-000	BEARING, BALL RADIAL, 6904UU	1	¥950
• 20	91357-964-006	O-RING, 31	1	¥185
• 21	96140-62020-10	BEARING, BALL RADIAL, 6202U	2	¥440

BLOCK No.
F-9
FUEL TANK



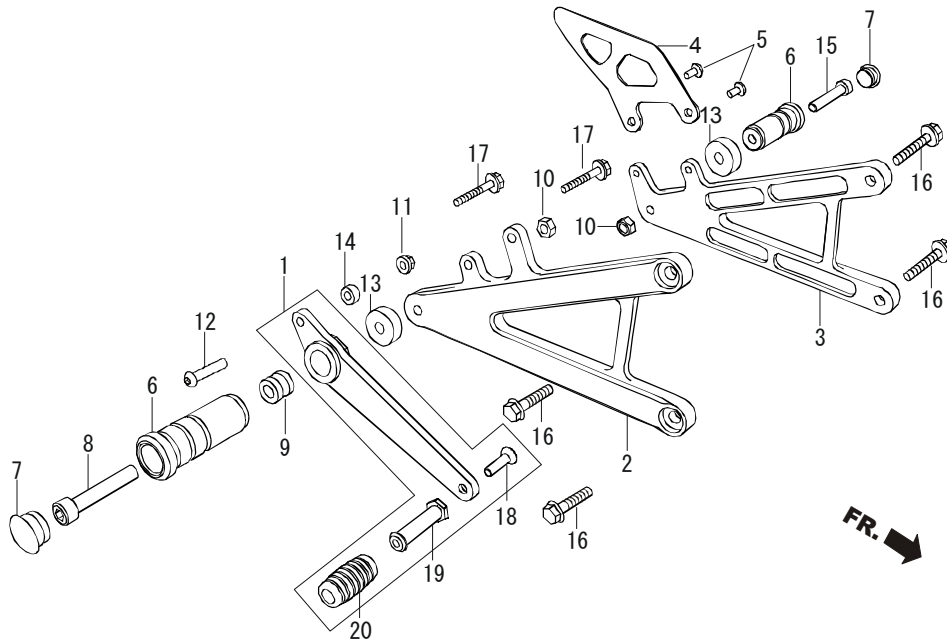
Ref. No.	Part No.	Description	Reqd. QTY	Retail Price
	1	18334-KA3-830 RUBBER, SILENCER	1	¥200
•	2	16950-NF5-003 VALVE ASSY., FUEL	1	¥1,600
	3	16075-GHB-720 O-RING, 10x1.3	1	¥200
	4	17681-KRN-000 TUBE, FUEL	1	¥240
M	5	17520-10512-00 TANK COMP., FUEL	1	¥90,000
•	6	17515-NX5-770 PACKING, FUEL CAP	1	¥1,450
M	7	17511-10172-00 CAP, FUEL TANK	1	¥4,200
	8	94252-10100 PIN, LOCK, 10	1	¥40
M	9	973010-06012 RUBBER, RADIATOR MOUNTING	2	¥145
	10	19052-MAC-680 COLLAR, RADIATOR MOUNTING	2	¥210
M	11	96650-06030-87 BOLT FLANGE 6X30	2	¥70
M	12	970-006-0201 WASHER 6MM	2	¥150
M	13	50283-10512-10 TAPE, INTERFERENCE, 30x10x430	2	¥280
M	14	17524-10512-00 VINYL-TUBE, 5x8x270	1	¥77
•	15	17522-NF5-690 SPONGE, BUFFLE	2	¥850
•	16	17625-NF4-003 VALVE COMP., CHECK	1	¥370
•	17	19602-NF4-810 TANK, CATCH 250	1	¥530
M	18	90650-35290-00 BAND, SELF LOCK 3.5x290 WT	2	¥110
M	19	90650-25100-00 BAND, SELF LOCK 2.5x100 WT	9	¥30
	20	95002-02120 CLIP, B12 TUBE	2	¥35
M	21	17522-10512-00 VINYL-TUBE, 5x8x400	1	¥102
M	22	17522-10512-00 VINYL-TUBE, 5x8x250	1	¥75
M	23	50283-10512-20 SPONGE, FUEL TANK, 10x80x80 GY	2	¥500

BLOCK No.
F-10
EXHAUST MUFFLER



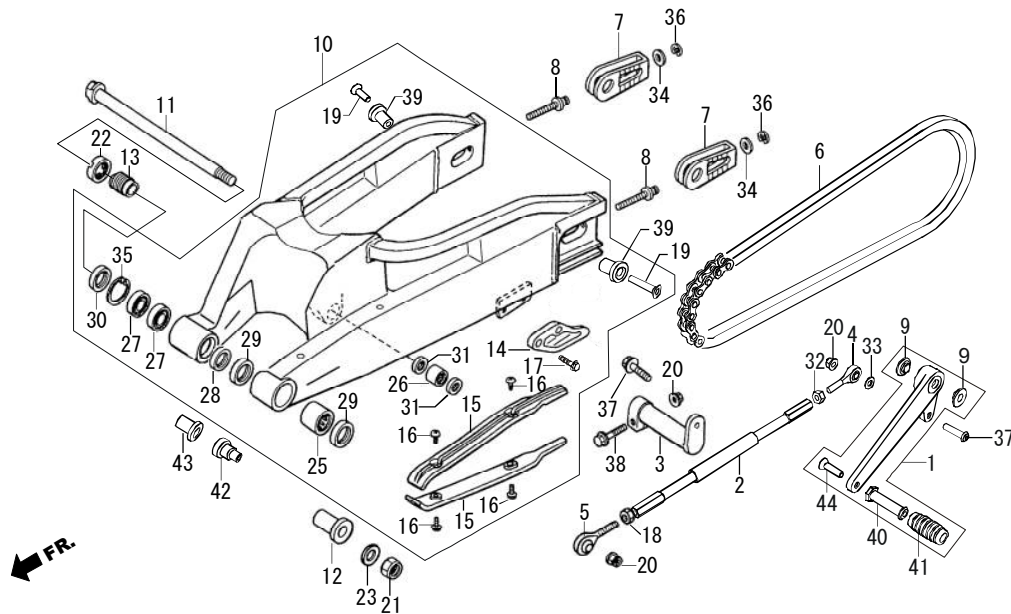
Ref. No.	Part No.	Description	Reqd. QTY	Retail Price
M 1	18910-J3512-00	SILENCER ASSY,	1	¥30,000
M 2	18110-J3512-02	F.PIPE. COMP., EX.	1	¥25,000
M 3	18210-J3512-02	T.PIPE. COMP., EX.	1	¥15,000
M 4	0A02-08709-KK21	SPRING, LONG	3	¥540
M 5	18931-L3168-00	BAND, SILENCER	2	¥1,200
M 6	18932-LK168-00	RUBBER, BAND, SILENCER	2	¥300
M 7	18940-L3158-10	SILENCER, BAND STAY,	1	¥250
M 8	18950-J3512-00	STAY, SILENCER	1	¥3,500
M 9	2100-060000010	NUT, FLANGE 6	2	¥100
M 10	1261-060200210	BOLT, FLANGE CAP 6x20	2	¥70
M 11	1261-080200410	BOLT, FLANGE CAP 8x20	1	¥120
M 12	0312-11250-F010	GROMMET, COLLER	1	¥320
M 13	1261-060150210	BOLT, FLANGE CAP 6x15	2	¥120
M 14	18291-MM5-860	GASKET, EX. PIPE	1	¥205
M 15	94050-08000	NUT, FLANGE 8	4	¥35
M 16	18240-J3512-00	SUBSTAY, TAILPIPE	1	¥3,000
M 17	973010-08030	BOLT, FLANGE 8x30	1	¥250
M 18	030A-08251-5100	WASHER, 8x25xt1.5	1	¥70
M 19	0312-17250-DR00	GROMMET, RUBBER	1	¥280
M 20	01810-10512-00	MUFFLER, COMP.	1	¥62,000

BLOCK No.
F-11
BRAKE PEDAL-STEP ARM



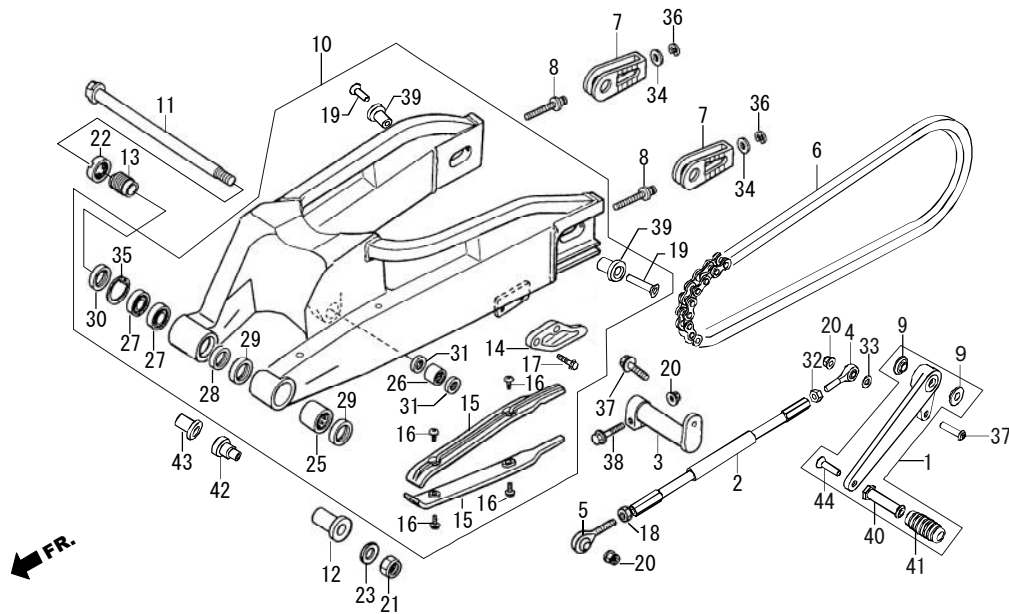
Ref. No.	Part No.	Description	Reqd. QTY	Retail Price	
M 1	46500-10516-00	PEDAL ASSY., BRAKE	1	¥9,500	
M 2	50600-10512-00	HOLDER STEP, R.	1	¥6,700	
M 3	50700-10512-00	HOLDER STEP, L.	1	¥6,800	
M 4	50707-10512-00	GUARD, L, STEP	1	¥4,500	
M 5	975010-06010	BOLT SOCKET, 6x10	2	¥20	
M 6	50660-20173-01	BAR, STEP	2	¥3,100	
M 7	50612-10516-00	END, STEP, BAR	2	¥400	
M 8	97001-08050	BOLT, CAP 8x50	1	¥125	
M 9	0311-08160-F100	COLLAR, PEADL	1	¥450	
M 10	973012-08000	U-NUT, 8mm	2	¥70	
M 11	980010-06000	NUT, LOCK, FLANGE, M6	1	¥70	
M 12	96650-06030-87	BOLT SOCKET, 6x30	1	¥30	
M 13	0311-08250-9400	COLLAR, 25x8.2x8.5	2	¥150	
M 14	0311-06120-6400	COLLAR, 12x6.2x6	1	¥150	
M 15	97001-08055	BOLT CAP 8X55	1	¥125	
	16	95701-08020-00	BOLT, FLANGE 8x20	4	¥40
	17	95701-06020-00	BOLT, FLANGE 6x20	2	¥35
M 18	974010-06025	BOLT, TEPER CAP 6x25	1	¥30	
M 19	46515-10516-00	KNOB, PEDAL	1	¥890	
M 20	46501-10516-00	RUBBER, PEDAL KNOB	1	¥380	

BLOCK No.
F-12
CHANGE PEDAL -
REAR SWING ARM



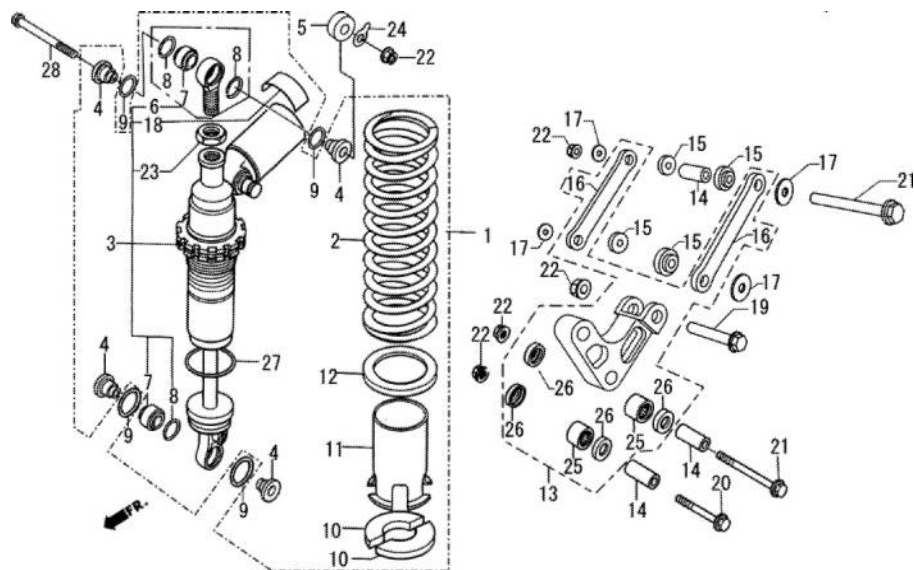
Ref. No.	Part No.	Description	Reqd. QTY	Retail Price
M 1	24720-10516-00	PEDAL ASSY., CHANGE	1	¥9,780
M 2	24706-10512-01	ROD, CHANGE	1	¥1,800
- 3	24710-NX4-000	ARM, GEAR CHANGE	1	¥3,000
- 4	24711-NX4-710	ROD, END, 6 A	1	¥1,140
- 5	24712-NX4-710	ROD, END, 6 B	1	¥1,140
6		CHAIN, DRIVE (DID:415ER-120)	1	
- 7	40543-NX4-000	ADJUSTER, CHAIN	2	¥1,150
- 8	40545-NX4-000	BOLT, CHAIN ADJUSTER	2	¥370
M 9	24723-201D4-10	WASHER, PEDAL BEARING	2	¥500
M 10	52200-10517-00	SWING ARM ASSY.	1	¥170,000
- 11	52101-NX4-680	BOLT, SWING ARM PIVOT	1	¥2,800
- 12	52106-NX4-000	COLLAR B, PIVOT	1	¥450
- 13	52109-NX4-000	BOLT, ADJUST PIVOT	1	¥600
M 14	52156-10516-00	GUARD CHAIN	1	¥980
- 15	52170-NX4-000	SLIDER, CHAIN	2	¥1,580
16	90101-692-000	SCREW, TRUSS G. B0	4	¥25
M 17	973010-06015	BOLT, FLANGE, 6X15	1	¥35
18	90201-KV3-700	NUT, TIE ROD B	1	¥100
M 19	974000-06045	BOLT, TAPER CAP 6 x 45	2	¥150
20	90301-473-003	NUT, LOCK, FLANGE, 6	3	¥280
21	90305-KZ4-891	U-NUT, 18	1	¥510
- 22	90355-NX4-000	NUT, SWING ARM PIVOT	1	¥1,900
23	90401-KZ4-890	WASHER, 18x32x2	1	¥200
25	91071-MR7-003	BEARING NEEDLE	1	¥630
26	91071-MY1-005	BEARING, NEEDLE, 17x24x17	1	¥570
27	91072-MR7-003	BEARING BALL RADIAL, 20x37x9	2	¥560
M 28	91202-10512-00	DUST SEAL, 26x33x4	1	¥630
29	91202-MR7-003	DUST SEAL, 28x37x4	2	¥310

BLOCK No.
F-12
CHANGE PEDAL ·
REAR SWING ARM



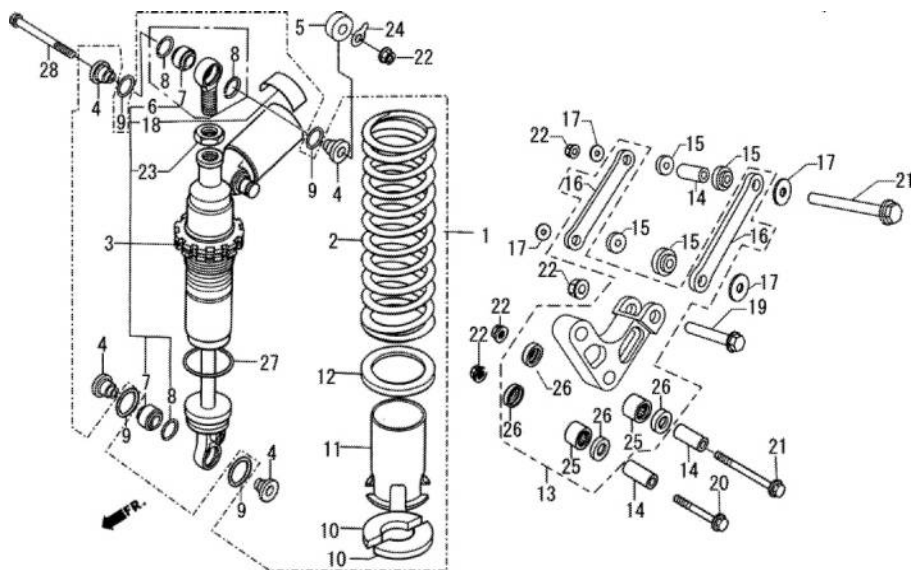
Ref. No.	Part No.	Description	Reqd. QTY	Retail Price	
	30	91214-MR7-003	DUST SEAL, 26x37x5	1	¥310
	31	91262-KV3-831	DUST SEAL, 17x24x5	2	¥260
	32	94001-06200-0S	NUT, HEX, 6MM	1	¥30
	33	94101-06000	WASHER, PLAIN, 6MM	2	¥25
	34	94102-08000	WASHER, PLAIN, 8MM	2	¥25
	35	94520-37000	CIRCLIP, INTERNAL 37	1	¥70
	36	94540-07029	E-RING, 7	2	¥125
M	37	973010-06025	BOLT, FLANGE, 6x25	2	¥50
M	38	973010-06030	BOLT, FLANGE, 6x30	1	¥50
M	39	0312-06221-9400	COLLAR, STAND HOOK	2	¥550
M	40	46515-10516-00	PEDAL KNOB	1	¥890
M	41	46501-10516-00	RUBBER, PEDAL KNOB	1	¥380
M	42	52202-10512-01	COLLAR, DISTANCE., SWING ARM	1	¥1,500
M	43	52203-10512-01	COLLAR, DISTANCE., SWING ARM	1	¥1,500
M	44	974010-06025	BOLT, TEPER CAP 6x25	1	¥30

BLOCK No.
F-13
REAR CUSHION
CUSHION ROD



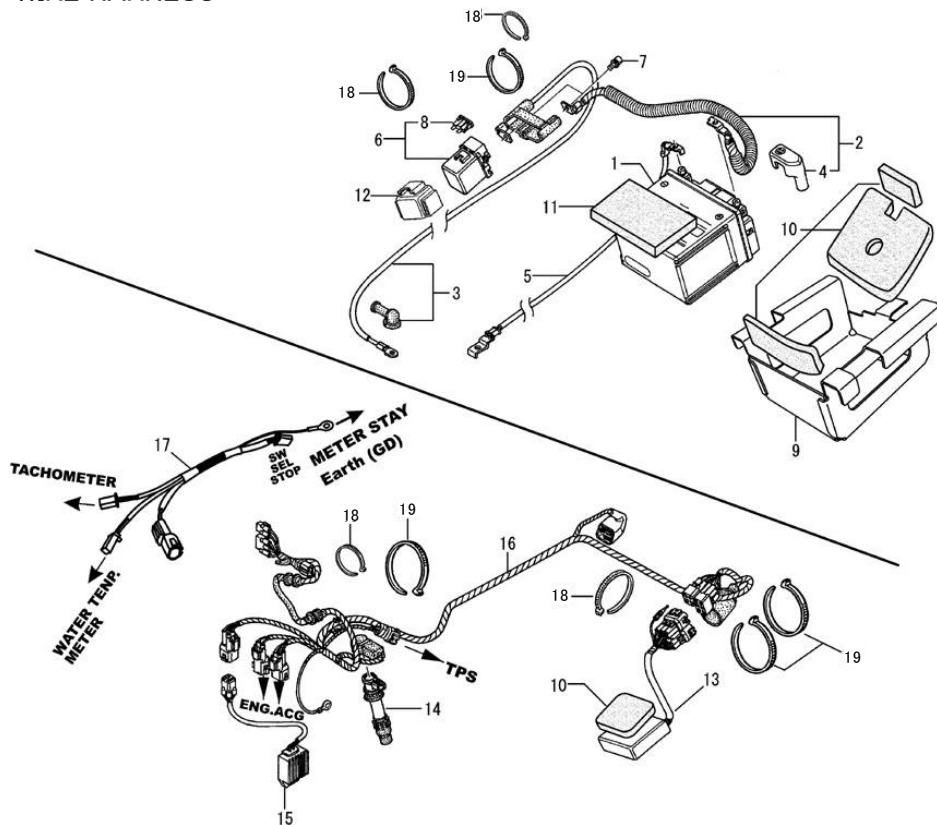
Ref. No.	Part No.	Description	Reqd. QTY	Retail Price
•	1	52400-NX4-813 CUSHION ASSY,REAR	1	¥60,570
•	2	52401-NX4-003 SPRING,REAR CUSHION K=8.0	1 *YELLOW	¥9,170
•		52402-NX4-003 SPRING,REAR CUSHION H K=8.5	(1) *RED	¥10,130
•		52403-NX4-003 SPRING,REAR CUSHION S K=7.5	(1) *BLUE	¥10,130
•		52404-NX4-701 SPRING,REAR CUSHION K=7.0	(1) *GREEN	¥9,190
•		52405-NX4-701 SPRING,REAR CUSHION K=6.5	(1) *BLACK	¥10,130
•	3	52410-NX4-811 DAMPER COMP,REAR	1	¥38,000
•	4	52411-NX4-013 COLLAR,DAMPER UP	4	¥1,160
M	5	52415-10512-00 COLLAR	1	¥250
•	6	52420-NX4-013 JOINT COMP,UPPER	1	¥5,010
•	7	52422-NX4-862 BEARRING,SPHERICAL	2	¥2,030
•	8	52424-GC4-831 RING,STOPPER	3	¥160
M	9	91309-10512-00 O-RING 15.0x3.5	4	¥120
•	10	52455-NF4-781 STOPPER,SPRING SEAT	2	¥530
•	11	52458-NX4-003 GUIDE,SPRING	1	¥1,000
•	12	52459-NX4-003 SEAT,SPRING	1	¥730
M	13	52460-10516-00 ROD ASSY,CUSHION M-03C	1	¥28,000
•	14	52465-NX4-000 COLLAR,CUSHION ARM	3	¥350
M	15	52476-10512-00 COLLAR,CUSHION ARM	4	¥600
M	16	52475-10512-10 PLATE,CUSHION ARM M-03C	2	¥2,000
M	17	030A-10302-0100 WASHER, 10x30xt1.5	4	¥110
	18	87516-KS7-702 LABEL,REAR DAMPER	1	¥205
	19	96400-1005000 BOLT,FLANGE 10x50	1	¥400
	20	96400-1005500 BOLT,FLANGE 10x55	1	¥380
	21	96400-1009000 BOLT,FLANGE 10x90	2	¥400
	22	90304-GA6-003 NUT,AXLE	5	¥175
•	23	90306-NF5-951 NUT,LOCK, 16MM	1	¥1,610

BLOCK No.
F-13
REAR CUSHION
CUSHION ROD



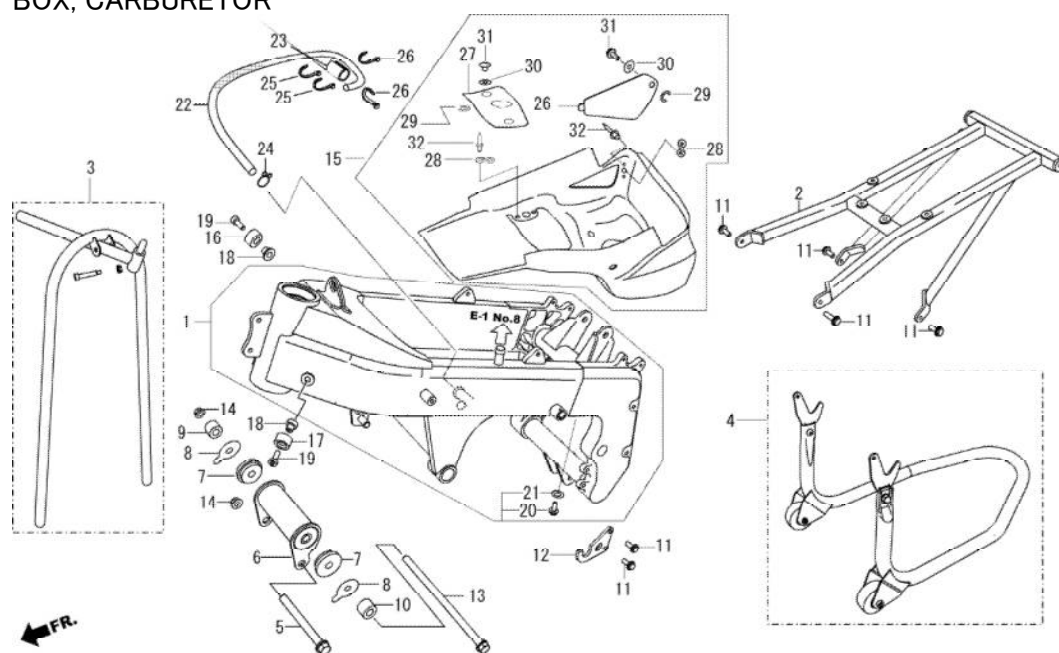
Ref. No.	Part No.	Description	Reqd. QTY	Retail Price
• 24	90510-NX4-000	SHIM,ENGINEMOUNT 0.2	N	¥560
•	90511-NX4-000	SHIM,ENGINEMOUNT 0.6	N	¥560
•	90512-NX4-000	SHIM,ENGINEMOUNT 1.0	N	¥560
•	90513-NX4-000	SHIM,ENGINEMOUNT 1.5	N	¥560
25	91071-MY1-005	BEARING,NEEDLE, 17x24x17	2	¥570
26	91262-KV3-831	DUST SEAL, 17x24x5	4	¥260
27	91356-KZ3-003	O-RING, 44.7x2.4	1	¥190
28	90121-MFL-000	BOLT,FLANGE,10x62	1	¥295

BLOCK No.
F-14
BATTERY
WIRE HARNESS



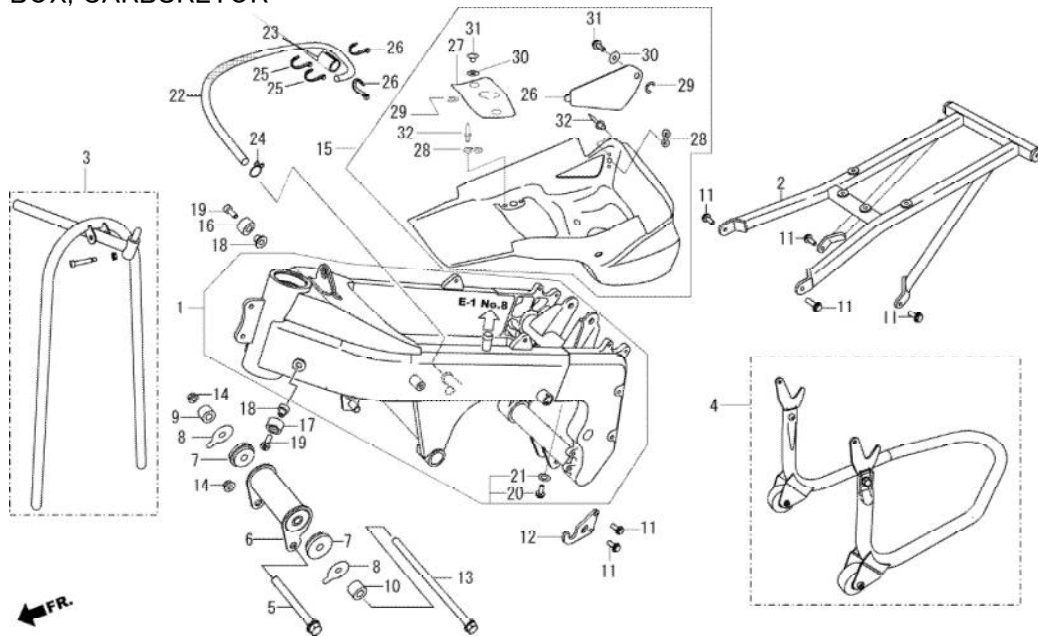
Ref. No.	Part No.	Description	Reqd. QTY	Retail Price
	1	BATTERY(YTX5L-BS)(YUASA)	1	
M	2	32401-10512-A1 CABLE, STARTER MAGNETIC BATTERY	1	¥3,270
	3	32410-KSC-670 CABLE, STATER MOTER	1	¥1,720
M	4	32414-10512-00 COVER, BATTERY TERMINAL	1	¥380
	5	32601-KSC-670 CABLE, BATTERY GROUND	1	¥1,320
	6	35850-KK6-740 SWITCH ASSY., STARTER MAGNETIC	1	¥4,780
	7	90111-MR5-000 BOLT, SOCKET (5X9)	2	¥110
	8	98200-31500 FUSE, BLADE (15A)	1	¥35
M	9	50320-10512-00 BOX, BATTERY	1	¥22,000
M	10	18932-10512-00 RUBBER, CUSHION SHEET, REPAIR KIT	1	¥700
M	11	18933-10512-00 RUBBER, CUSHION SHEET, BATTERY	1	¥300
	12	35856-KBH-000 RUBBER, SHOCK	1	¥400
	13	30410-KSC-A21 MODEULE, IGNITION CONTROL(CDI)	1	¥19,300
	14	30700-KRN-671 CAP ASSY., NOISE SUPPRESSOR	1	¥3,980
	15	31600-KSC-671 RECTIFIER, REGULATOR	1	¥11,900
M	16	32100-10516-00 WIRE HARNESS	1	¥12,000
M	17	37253-10516-00 SUB HARNESS	1	¥4,500
M	18	90650-25100-00 BAND, SELF LOCK 2.5x100 WT	4	¥30
M	19	90650-35150-00 BAND, SELF LOCK 3.5x150 WT	3	¥30

BLOCK No.
F-15
FRAME BODY·STAND·
BOX, CARBURETOR



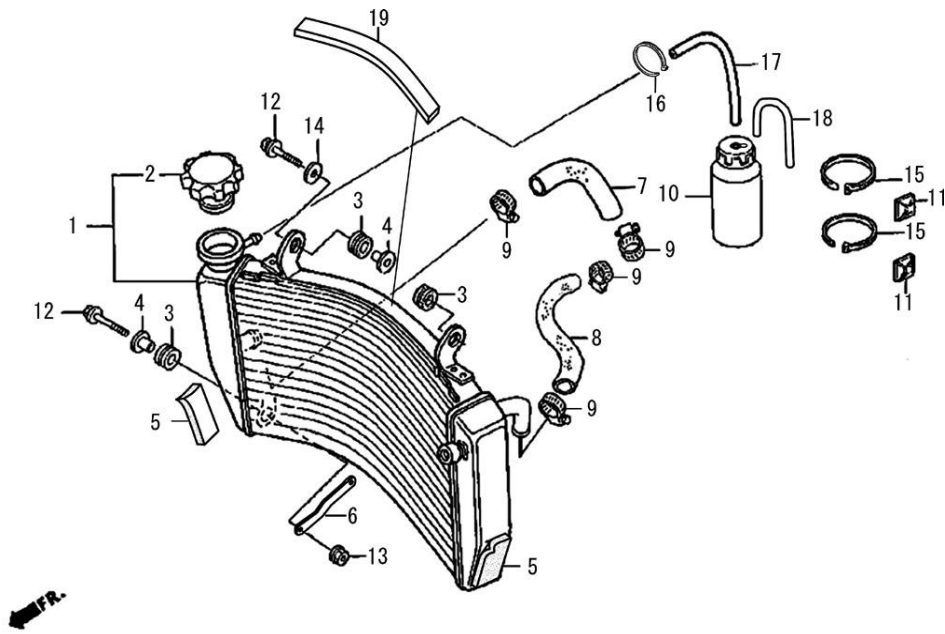
Ref. No.	Part No.	Description	Reqd. QTY	Retail Price	
M 1	50100-10516-00	FRAME BODY COMP	1	¥260,000	
M 2	50200-10512-00	RAIL COMP., SEAT	1	¥28,500	
M 3	53500-10512-00	FRONT STAND	1	¥15,000	
M 4	52500-10512-00	REAR STAND	1	¥10,000	
M 5	95701-10105-00	BOLT, FLANGE 10x105	1	¥450	
M 6	50405-10512-00	STAY, RUBBER, ENGINE MOUNT	1	¥14,000	
M 7	50408-10512-00	COLLAR, ENGINE MOUNT	2	¥1,200	
M 8	90511-10512-00	SHIM, ENGINE MOUNT 0.4	N	¥350	
M	90514-10512-00	SHIM, ENGINE MOUNT 1.0	N	¥350	
M 9	50180-10512-00	COLLAR, ENGINE MOUNT R	1	¥750	
M 10	50181-10512-00	COLLAR, ENGINE MOUNT L	1	¥800	
M 11	973010-06015	BOLT, FLANGE 6x15	6	¥35	
M 12	24620-10512-00	PLATE, SHIFT GAIDE	1	¥620	
	13	90016-HA0-000	BOLT, FLANGE 10X205	1	¥790
	14	90304-GA6-003	NUT, AXLE	2	¥172
M 15	64110-10512-00	BOX, CARBURETOR	1	¥23,000	
M 16	50141-10512-00	GUARD, WATER PIPE R	1	¥650	
	17	50141-MEL-000	GUARD, WATER PIPE	1	¥245
	18	19621-ZG3-880	GROMMET COLLAR	2	¥125
M 19	973010-06020	BOLT, SPECCIAL, 6x20	2	¥125	
M 20	90108-GK1-001W	DRAIN BOLT 6x12	1	¥500	
	21	90463-ML7-000	WASHER, PLUG, DRAIN	1	¥125
M 22	17373-10516-00	VINYL-TUBE, BRETHER, FRAME 8x770	1	¥240	
M 23	17374-10512-00	VINYL-TUBE, PROTECTION 12x70	1	¥35	
	24	95002-02120	CLIP, TUBE B12	1	¥30
M 25	90650-25100-00	BAND, SELF LOCK 2.5x100 WT	2	¥50	

BLOCK No.
F-15
FRAME BODY·STAND·
BOX, CARBURETOR



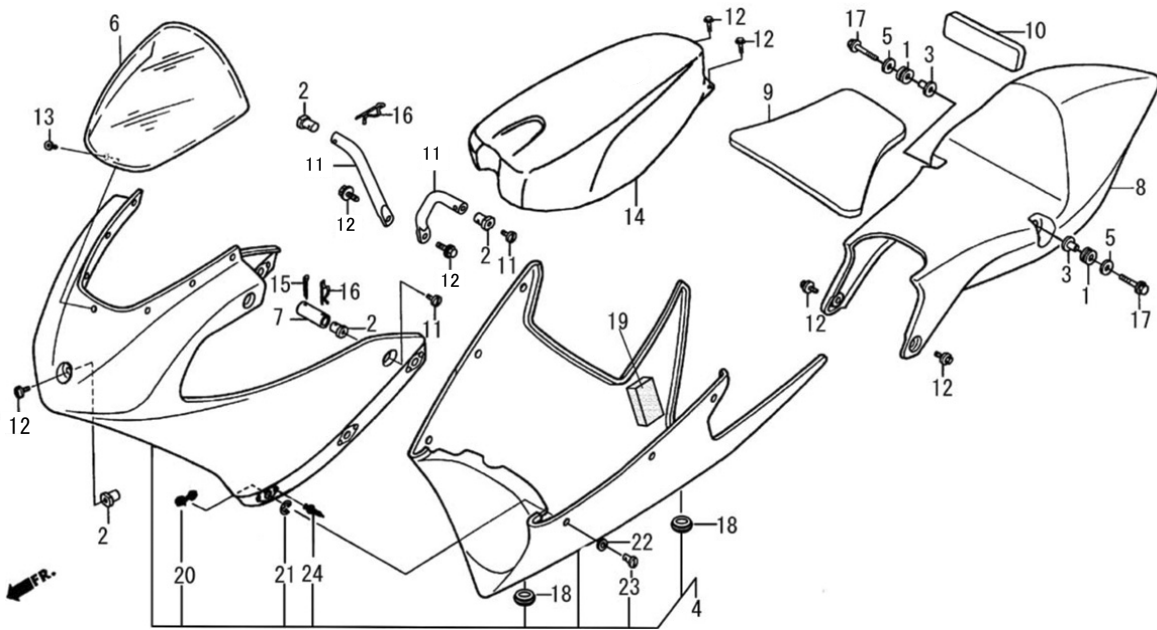
Ref. No.	Part No.	Description	Reqd. QTY		
M	26	90650-25100-10	BAND, SELF LOCK 2.5x100 BK	2	¥2,800
M	27	64120-10512-10	DOOR, CABURETOR BOX	1	¥2,800
·	28	90653-NC8-000	SPRING, FASTENER, 35	2	¥200
·	29	94540-07029	E-RING7	2	¥125
M	30	94102-08165-60	NYLON WASHER	2	¥180
·	31	90655-NC8-000	STUD,FASTENER, 35	2	¥620
·	32	91080-NC8-300	RIVET, 3.2x6.4	6	¥20

BLOCK No.
F-16
RADIATOR



Ref. No.	Part No.	Description	Reqd. QTY	Retail Price
M 1	19010-10512-00	RADIATOR COMP.	1	¥50,000
	2	19045-MY3-621	1	¥1,185
	3	19051-KA3-830	3	¥185
	4	19052-MAC-680	2	¥210
M 5	50283-10512-30	RUBBER, CUSHION SHEET 5x35x110 BK	2	1000
M 6	19110-10512-00	STAY, RADIATOR	1	¥1,000
M 7	19062-10512-10	HOSE, WATER., LOWER	1	¥1,500
M 8	19062-10512-20	HOSE, WATER., UPPER	1	¥1,500
	9	19506-KS6-700	4	¥460
	10	19602-NF4-810	1	¥530
	11	32114-NF4-780	2	¥160
M 12	973010-06025	BOLT, FLANGE,SH, 6x25	2	¥50
	13	90301-473-003	1	¥286
	14	90506-430-000	1	¥185
M 15	90650-35290-00	BAND, SELF LOCK 3.5x290 WT	2	¥110
M 16	90650-25100-00	BAND, SELF LOCK 2.5x100 WT	1	¥30
M 17	17525-10512-00	VINYL-TUBE, 5 × 8 × 320	1	¥85
M 18	17523-10512-00	VINYL-TUBE, 5 × 8 × 250	1	¥75
M 19	50283-10512-50	TAPE, INTERFERENCE 25x5x150	1	¥130

BLOCK No.
F-17
COWLING



Ref. No.	Part No.	Description	Reqd. QTY	Retail Price
1	33712-KC5-003	GROMMET, TAILLIGHT MOUNT	2	¥210
• 2	50803-NF4-610	NUT, COWL STAY	5	¥380
3	61104-KA4-700	COLLAR, FENDER MOUNT	2	¥280
M 4	64100-10517-10	COWLING, FRONT	1	¥51,000
M 5	970-006-0201	WASHER, 6MM	2	¥150
M 6	64200-10512-00	SCREEN	1	¥11,000
• 7	64210-NX4-000	STAY, FRONT COWL SIDE	2	¥650
M 8	77210-10516-10	COWL, SEAT	1	¥27,000
• 9	77220-NX4-000	RUBBER, SEAT	1	¥1,000
• 10	77221-NF5-760	RUBBER, SEAT BACK	1	¥580
M 11	64240-10516-00	STAY, FRONT COWL UPPER	2	¥2,200
M 12	973010-06012	BOLT, FLANGE,SH, 6x12	11	¥20
• 13	90656-NX4-000	RIVET, 4x7	7	¥40
M	90656-40080-00	RIVET, 4x8	N	¥45
M 14	81240-10516-10	TANK, COVER	1	¥13,000
15	94201-25300	PIN, SPLIT, 2.5x30	2	¥30
M 16	94252-16100	PIN, LOCK, 16	4	¥55
M 17	973010-06020	BOLT, FLANGE,SH, 6x20	2	¥40
M 18	64491-02016-00	UNDER, COWL, PLUG	2	¥450
M 19	50283-10512-40	CUSHION SHEET 10x30x40 GY	2	¥120
• 20	90653-NC8-000	SPRING, FASTENER, 35	6	¥200
21	94540-07029	E-RING7	6	¥125
M 22	94102-08165-60	WASHER ,NYLON	6	¥80
• 23	90655-NC8-000	STUD,FASTENER, 35	6	¥620
• 24	91080-NC8-300	RIVET, 3.2x6.4	12	¥20

株式会社モリワキエンジニアリング

〒513-0825 三重県鈴鹿市住吉町 6656-5

TEL: 059-370-0090 FAX: 059-370-0152

<http://www.moriwaki.co.jp/>